




USER MANUAL

ID 300 T DC
ID 300 TW DC



(+90) 444 93 53
magmaWeld.com
info@magmaWeld.com

 (+90) 538 927 12 62

All rights reserved. It is prohibited to reproduce this documentation, or any part thereof, without the prior written authorisation of Magma Mekatronik Makine Sanayi ve Ticaret A.Ş.
Magma Mekatronik may modify the information and the images without any prior notice.
Tüm hakları saklıdır. Magma Mekatronik Makine Sanayi ve Ticaret A.Ş.'nin yazılı izni olmaksızın bu dokümanın tamamının ya da bir bölümünün kopyalanması yasaktır.
Magma Mekatronik önceden haber vermeksizin bilgilerde ve resimlerde değişiklik yapılabilir.

TIG WELDING INVERTER

EN

POSTE DE SOUDAGE TIG

FR

ИНВЕРТОРНАЯ СВАРКА TIG

RU

TIG KAYNAK İNVERTÖRÜ

TR

CE

EN 60974-1

EN 60974 -10

RoHS

EAC



CONTENTS

	SAFETY PRECAUTIONS	5
1	TECHNICAL INFORMATION	
1.1	General Information	11
1.2	Machine Components	11
1.3	Product Label	13
1.4	Technical Data	14
1.5	Accessories	15
2	INSTALLATION	
2.1	Delivery Control	16
2.2	Installation and Operation Recommendations	16
2.3	Mains Plug Connection	17
2.4	Connection to Mains	17
2.5	Connections for TIG Welding	17
2.5.1	Torch Connections	17
2.5.2	Gas Connections	18
2.5.3	Trigger and Pedal System Socket Connections	18
2.5.4	Grounding Clamps Connections	19
2.5.5	Installation of Torch Consumables	19
2.6	Connections for (MMA) Welding	20
2.7	Water Cooling Unit (for Water Cooled Models)	20
3	OPERATION	
3.1	User Interface	21
3.2	TIG Cycle	23
3.3	Menu Structure	23
3.3.1	TIG Welding Process	23
3.3.2	Usage of the TIG Welding Trigger	24
3.3.3	MMA Welding Process	25
3.4	Consumption Values	25
4	MAINTENANCE AND SERVICE	
4.1	Maintenance	26
4.2	Non-Periodic Maintenance	26
4.3	Error Codes	27
5	ANNEX	
5.1	Spare Parts List	28
5.2	Connection Diagrams	29

SAFETY PRECAUTIONS

EN

Be Sure To Follow All Safety Rules In This Manual!

Explanation Of Safety Information



- Safety symbols found in the manual are used to identify potential hazards.
- When any one of the safety symbols are seen in this manual, it must be understood that there is a risk of injury and the following instructions should be read carefully to avoid potential hazards.
- The possessor of the machine is responsible for preventing unauthorized persons from accessing the equipment.
- Persons using the machine must be experienced or fully trained in welding / cutting they have to read the user manual before operation and follow the safety instructions.

Explanation Of Safety Symbols



ATTENTION

Indicates a potentially hazardous situation that could cause injury or damage. In case if no precaution is taken, it may cause injuries or material losses / damages.



IMPORTANT

Specifies notifications and alerts on how to operate the machine.



DANGER

Indicates a serious danger. In case if not avoided, severe or fatal injuries may occur.

Comprehending Safety Precautions



- Read the user manual, the label on the machine and the safety instructions carefully.
- Make sure that the warning labels on the machine are in good condition. Replace missing and damaged labels.
- Learn how to operate the machine, how to make the checks in a correct manner.
- Use your machine in suitable working environments.
- Improper changes made in your machine will negatively affect the safe operation and its longevity.
- The manufacturer is not responsible for the consequences resulting from the operation of the device beyond the specified conditions.

Electric Shocks May Kill



Make certain that the installation procedures comply with national electrical standards and other relevant regulations, and ensure that the machine is installed by authorized persons.

- Wear dry and sturdy insulated gloves and working apron. Never use wet or damaged gloves and working aprons.
- Wear flame-resistant protective clothing against the risk of burning. The clothing used by the operator must be protective against sparks, splashing and arc radiation.
- Do not work alone. In case of a danger make sure you have someone for help in your working environment.
- Do not touch the electrode with the bare hand. Do not allow the electrode holder or electrode to come in contact with any other person or any grounded object.
- Never touch parts that carry electricity.
- Never touch the electrode if you are in contact with the electrode attached to the work surface, floor or another machine.
- By isolating yourself from the work surface and the floor, you can protect yourself from possible electric shocks. Use a non-flammable, electrically insulating, dry and undamaged insulation material that is large enough to cut off the operator's contact with the work surface.
- Do not connect more than one electrode to the electrode holder.
- Clamp work cable with good metal-to-metal contact to workpiece or worktable as near the weld as practical.
- Check the torch before operating the machine. Make sure the torch and its cables are in good condition. Always replace a damaged, worn torch.
- Do not touch electrode holders connected to two machines at the same time since double open-circuit voltage will be present.
- Keep the machine turned off and disconnect cables when not in use.
- Before repairing the machine, remove all power connections and / or connector plugs or turn off the machine.
- Be careful when using a long mains cable.

- Make sure all connections are tight, clean, and dry.
 - Keep cables dry, free of oil and grease, and protected from hot metal and sparks.
 - Bare wiring can kill. Check all cables frequently for possible damage. If a damaged or an uninsulated cable is detected, repair or replace it immediately.
 - Insulate work clamp when not connected to workpiece to prevent contact with any metal object.
 - Make sure that the grounding of the power line is properly connected.
 - Do not use AC weld output in damp, wet, or confined spaces, or if there is a danger of falling.
 - Use AC output ONLY if required for the welding process.
 - If AC output is required, use remote output control if present on unit.
- Additional safety precautions are required when any of the following electrically hazardous conditions are present :**
- in damp locations or while wearing wet clothing,
 - on metal structures such as floors, gratings, or scaffolds,
 - when in cramped positions such as sitting, kneeling, or lying,
 - when there is a high risk of unavoidable or accidental contact with the workpiece or ground.
- For these conditions, use the following equipment in order presented:
- Semiautomatic DC constant voltage (CV) MIG welding machine,
 - DC manual MMA welding machine,
 - DC or AC welding machine with reduced open-circuit voltage (VRD), if available.

Procedures for Electric Shock



- Turn off the electric power.
- Use non-conducting material, such as dry wood, to free the victim from contact with live parts or wires.
- Call for emergency services.

If you have first aid training;

- If the victim is not breathing, Administer cardiopulmonary resuscitation (CPR) immediately after breaking contact with the electrical source. Continue CPR (cardiac massage) until breathing starts or until help arrives.
- Where an automatic electronic defibrillator (AED) is available, use according to instructions.
- Treat an electrical burn as a thermal burn by applying sterile, cold (iced) compresses. Prevent contamination, and cover with a clean, dry dressing.

Moving Parts May Cause Injuries



- Keep away from the moving parts.
- Keep all protective devices such as covers, panels, flaps, etc., of machinery and equipment closed and in locked position.
- Wear metal toe shoes against the possibility of heavy objects falling on to your feet.

Fumes and Gases May Be Harmful To Your Health



Long-term inhalation of fumes and gases released from welding / cutting is very dangerous.

- Burning sensations and irritations in the eyes, nose and throat are signs of inadequate ventilation. In such a case, immediately boost the ventilation of the work area, and if the problem persists, stop the welding / cutting process completely.
- Create a natural or artificial ventilation system in the work area.
- Use a suitable fume extraction system where welding / cutting works are being carried out. If necessary, install a system that can expel fumes and gases accumulated in the entire workshop. Use a suitable filtration system to avoid polluting the environment during discharge.
- If you are working in narrow and confined spaces or if you are welding lead, beryllium, cadmium, zinc, coated or painted materials, use masks that provide fresh air in addition to the above precautions.
- If the gas tanks are grouped in a separate zone, ensure that they are well ventilated, keep the main valves closed when gas cylinders are not in use, pay attention to possible gas leaks.
- Shielding gases such as argon are denser than air and can be inhaled instead of air if used in confined spaces. This is dangerous for your health as well.
- Do not perform welding / cutting operations in the presence of chlorinated hydrocarbon vapors released during lubrication or painting operations.
- Some welded / cut parts require special ventilation. The safety rules of products that require special ventilation should be read carefully. A suitable gas mask should be worn when necessary.

Arc Light May Damage Your Eyes and Skin

- Use a standard protective mask and a suitable glass filter to protect your eyes and face.
- Protect other naked parts of your body (arms, neck, ears, etc.) with suitable protective clothing from these rays.
- Enclose your work area with flame-resistant folding screens and hang warning signs at eye level so that people around you will not sustain injuries from arc rays and hot metals.
- This machine is not used for heating of icebound pipes. This operation performed with the welding / cutting machine causes explosion, fire or damage to your installation.

Sparks and Spattering Particles May Get Into Eyes and Cause Damage

- Performing works such as welding / cutting, surface grinding, and brushing cause sparks and metal particles to splatter. Wear approved protective work goggles which have edge guards under the welding masks to prevent sustaining possible injuries.

Hot Parts May Cause Severe Burns

- Do not touch the hot parts with bare hands.
- Wait until the time required for the machine to cool down before working on its parts.
- If you need to hold hot parts, use suitable tools, welding / cutting gloves with high-level thermal insulation and fire-resistant clothes.

Noise May Cause Damage To Your Hearing Ability

- The noise generated by some equipment and operations may damage your hearing ability.
- Wear approved personal ear protective equipment if the noise level is high.

Welding Wires Can Cause Injuries

- Do not point the torch towards any part of the body, other persons, or any metal while unwrapping the welding / cutting wire.
- When welding wire is run manually from the roller especially in thin diameters the wire can slip out of your hand, like a spring or can cause damage to you or other people around, therefore you must protect your eyes and face while working on this.

Welding Operations May Cause Fire and Explosion

- Never perform welding / cutting work in places near flammable materials. There may be fire or explosions.
- Before starting the welding / cutting work, remove these materials from the environment or cover them with protective covers to prevent combustions and flaring.
- National and international special rules apply in these areas.
- Do not apply welding / cutting operations into completely closed tanks or pipes.
- Before welding to tanks and closed containers, open them, completely empty them, and clean them. Pay the greatest attention possible to the welding / cutting operations you will perform in such places.
- Do not weld in tanks and pipes which might have previously contained substances that may cause explosions, fires or other reactions.
- Welding / cutting equipment heats up. For this reason, do not place it on surfaces that could easily burn or be damaged !
- Sparks and splashing parts may cause a fire. For this reason, keep materials such as fire extinguishers tubes, water, and sand in easily accessible places.
- Use holding valves, gas regulators and valves on flammable, explosive and compressed gas circuits. Make sure that they are periodically inspected and pay attention that they run reliably.

Maintenance Work Performed by Unauthorized Persons To Machines and Apparatus May Cause Injuries

- Electrical equipment should not be repaired by unauthorized persons. Errors occurred if failed to do so may result in serious injury or death when using the equipment.
- The gas circuit elements operate under pressure; explosions may occur as a result of services provided by unauthorized persons, users may sustain serious injuries.
- It is recommended to perform technical maintenance of the machine and its auxiliary units at least once a year.

Welding / Cutting in Small Sized and Confined Spaces

- In small-sized and confined spaces, absolutely make sure to perform welding / cutting operations, accompanied by another person.
- Avoid performing welding / cutting operations in such enclosed areas as much as possible.

**Failure To Take Precautions During Transport May Cause Accidents**

- Take all necessary precautions when moving the machine. The areas where the machine to be transported, parts to be used in transportation and the physical conditions and health of the person carrying out the transportation works should be suitable for the transportation process.
- Some machines are extremely heavy; therefore, make sure that the necessary environmental safety measures are taken when changing their places.
- If the machine is to be used on a platform, it must be checked that this platform has suitable load bearing limits.
- If it is to be transported by means of a haulage vehicle (transport trolley, forklift etc.), make sure of the durability of the vehicle, and the connection points (carrying suspenders, straps, bolts, nuts, wheels, etc.) that connect the machine to this vehicle.
- If the machine will be carried manually, make sure the durability of the machine apparatuses (carrying suspenders, straps, etc.) and connections.
- Observe the International Labor Organization's rules on carriage weights and the transport regulations in force in your country in order to ensure the necessary transport conditions.
- Always use handles or carrying rings when relocating the power-supply sources. Never pull from torches, cables or hoses. Be absolutely sure to carry gas cylinders separately.
- Remove all interconnections before transporting the welding / cutting equipment, each being separately, lift and transport small ones using its handles, and the big ones from its handling rings or by using appropriate haulage equipment, such as forklifts.

Falling Parts May Cause Injuries

Improper positioning of the power-supply sources or other equipment can cause serious injury to persons and physical damage to other objects.

- Place your machine on the floor and platforms with a maximum tilt of 10° so that it does not fall or tip over. Choose places that do not interfere with the flow of materials, where there is no risk of tripping over on cables and hoses; yet, large, easily ventilatable, dust-free areas. To prevent gas cylinders from tipping over, on machines with a gas platform suitable for the tanks, fix the tanks on to the platform; in stationary usage applications, fix them to the wall with a chain in a way that they would not tip over for sure.
- Allow operators to easily access settings and connections on the machine.

Excessive Use Of The Machine Causes Overheating

- Allow the machine to cool down according to operation cycle rates.
- Reduce the current or operation cycle rate before starting the welding / cutting again.
- Do not block the fronts of air vents of the machines.
- Do not put filters that do not have manufacturer approvals into the machine's ventilation ports.

Excessive Use Of The Machine Causes Overheating

- This device is in group 2, class A in EMC tests according to TS EN 55011 standard.
- This class A device is not intended for use in residential areas where electrical power is supplied from a low-voltage power supply. There may be potential difficulties in providing electromagnetic compatibility due to radio frequency interference transmitted and emitted in such places.



This device is not compliant with IEC 61000 -3-12. In case if it is desired to be connected to the low voltage network used in the home, the installer to make the electrical connection or the person who will use the machine must be aware that the machine has been connected in such a manner; in this case the responsibility belongs to the user.

- Make sure that the work area complies with electromagnetic compatibility (EMC). Electromagnetic interferences during welding / cutting operations may cause undesired effects on your electronic devices and network; and the effects of these interferences that may occur during these operations are under the responsibility of the user.
- If there is any interference, to ensure compliance; extra measures may be taken, such as the use of short cables, use of shielded (armored) cables, transportation of the welding machine to another location, removal of cables from the affected device and / or area, use of filters or taking the work area under protection in terms of EMC.
- To avoid possible EMC damage, make sure to perform your welding / cutting operations as far away from your sensitive electronic devices as possible (100 m).

- Ensure that your welding and/or cutting machine has been installed and situated in its place according to the user manual.

Evaluation Of Electromagnetic Suitability Of The Work Area



According to article 5.2 of IEC 60974-9;

Before installing the welding / cutting equipment, the person in charge of the operation and / or the user must conduct an inspection of possible electromagnetic interference in the environment.

Aspects indicated below has to be taken into consideration;

- Other supply cables, control cables, signal and telephone cables, above and below the welding / cutting machine and its equipment,
- Radio and television transmitters and receivers,
- Computer and other control hardware,
- Critical safety equipment, e.g. protection of industrial equipment,
- Medical apparatus for people in the vicinity, e.g. pacemakers and hearing aids,
- Equipment used for measuring or calibration,
- Immunity of other equipment in the environment. The user must ensure that the other equipment in use in the environment is compatible. This may require additional protection measures.
- Considering the time during which the welding / cutting operations or other activities take place during the day, the boundaries of the investigation area can be expanded according to the size of the building, the structure of the building and other activities that are being performed in the building.

In addition to the evaluation of the field, evaluation of device installations may also be necessary for solving the interfering effect. In case if deemed necessary, on-site measurements can also be used to confirm the efficiency of mitigation measures.

(Source: IEC 60974-9).

Electromagnetic Interference Reduction Methods



- The appliance must be connected to the electricity supply in the recommended manner by a competent person. If interference occurs, additional measures may be applied, such as filtering the network. The supply of the fixed-mounted arc welding equipment must be made in a metal tube or with an equivalent shielded cable. The housing of the power supply must be connected and a good electrical contact between these two structures has to be provided.
- The recommended routine maintenance of the appliance must be carried out. All covers on the body of the machine must be closed and / or locked when the device is in use. Any changes, other than the standard settings without the written approval of the manufacturer, cannot be modified on the appliance. Otherwise, the user is responsible for any consequences that may possibly occur.
- Welding / cutting cables should be kept as short as possible. They must move along the floor of the work area, in a side by side manner. Welding / cutting cables should not be wound in any way.
- A magnetic field is generated on the machine during welding / cutting. This may cause the machine to pull metal parts on to itself. To avoid this attraction, make sure that the metal materials are at a safe distance or fixed. The operator must be insulated from all these interconnected metal materials.
- In cases where the workpiece cannot be connected to the ground due to electrical safety, or because of its size and position (for example, in building marine vessel bodies or in steel construction manufacturing), a connection between the workpiece and the grounding may reduce emissions in some cases, it should be kept in mind that grounding of the workpiece may cause users to sustain injuries or other electrical equipment in the environment to break down. In cases where necessary, the workpiece and the grounding connection can be made as a direct connection, but in some countries where direct connection is not permissible, the connection can be established using appropriate capacity elements in accordance with local regulations and ordinances.
- Screening and shielding of other devices and cables in the work area can prevent aliasing effects. Screening of the entire welding / cutting area can be evaluated for some specific applications.

Electromagnetic Field (EMF)



The electrical current passing through any conductor generates zonal electric and magnetic fields (EMF).

All operators must follow the following procedures to minimize the risk of exposure to EMF;

- In the name of reducing the magnetic field, the welding / cutting cables must be assembled and secured as far as possible with the joining materials (tape, cable ties etc.).
- The operator's body and head should be kept as far away from the welding / cutting machine and cables as possible,

The electrical current passing through any conductor generates zonal electric and magnetic fields (EMF).

All operators must follow the following procedures to minimize the risk of exposure to EMF;

- In the name of reducing the magnetic field, the welding / cutting cables must be assembled and secured as far as possible with the joining materials (tape, cable ties etc.).
- The operator's body and head should be kept as far away from the welding / cutting machine and cables as possible,
- Welding / cutting and electric cables should not be wrapped around the body of the machine in any way,
- The body of the machine should not get caught between the welding / cutting cables. The source cables must be kept away from the body of the machine, both being placed side by side,
- The return cable must be connected to the workpiece as close as possible to the work area,
- The welding / cutting machine should not rest against the power unit, ensconce on it and not work too close to it,
- Welding / cutting work should not be performed when carrying the wire supply unit or power unit.

EMF may also disrupt the operation of medical implants (materials placed inside the body), such as pacemakers. Protective measures should be taken for people who carry medical implants. For example, access limitation may be imposed for passers-by, or individual risk assessments may be conducted for welders. Risk assessment should be conducted and recommendations should be made by a medical professional for users who carry medical implants.

Protection



- Do not expose the machine to rain, prevent the machine from splashing water or pressurized steam.

Energy Efficiency



- Choose the welding / cutting method and welding machine for the welding work you are to perform.
- Select the welding / cutting current and/or voltage to match the material and thickness you are going to weld.
- If you have to wait for a long time before you start your welding / cutting work, turn off the machine after the fan has cooled it down. Our machines with smart fan control will turn off on their own.

Waste Procedure



- This device is not domestic waste. It must be directed to recycling within the framework of the European Union directive and national laws.
- Obtain information from your dealer and authorized persons about the waste management of your used machines.

WARRANTY FORM



Please visit our website www.magmaweld.com/warranty-form/wr for warranty form.

TECHNICAL INFORMATION

EN

1.1 General Information

ID 300 T DC and ID 300 TW DC inverter type, 3-phase DC TIG and MMA welding machine. It is designed for TIG welding of metals and MMA welding up to 5 mm diameter.

It features advanced professional TIG controls such as HF start, Touch-Lift, Pre-Gas, Up-Slope, Down-Slope, Post-Gas & Crater filling. In MMA mode, rutile, basic and cellulosic options are available. In TIG mode, 10 work programs can be stored in memory and can be selected according to the job, giving the opportunity to regain exactly the same weld. All welding parameters can be adjusted via the control panel and monitored via digital displays. It can also be used with a generator that will provide the appropriate power and frequency. It can also be used with welding cables up to 25 m long. The machine is fan cooled and thermally protected against overheating.

1.2 Machine Components

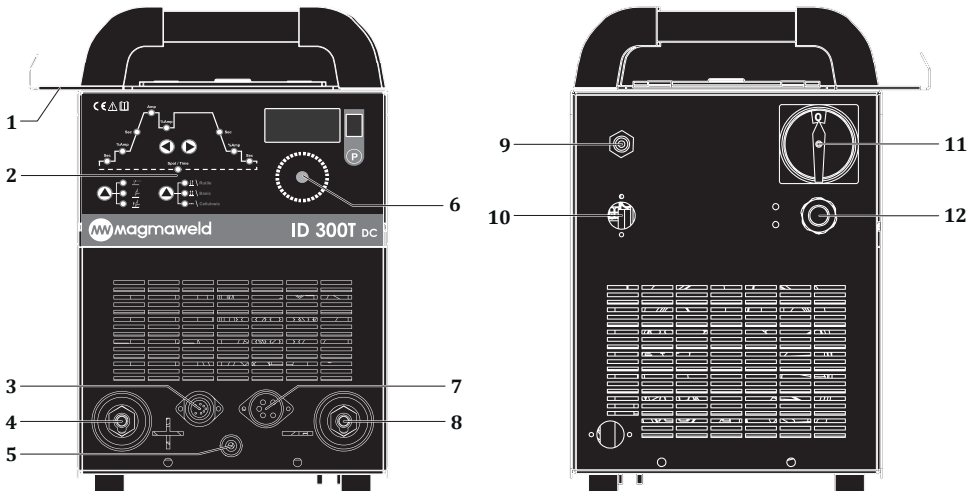


Figure 1 : ID 300 T DC

- | | |
|---|---|
| 1- Torch Strap | 7- Torch Control Connections |
| 2- Control Panel | 8- Earth Cable and Welding Cable Socket (-) |
| 3- Pedal Control Connections | 9- Gas Input |
| 4- Earth Cable and Welding Cable Socket (+) | 10- Remote Connection Input |
| 5- Gas Output | 11- Power Switch |
| 6- Parameter Adjustment Pot | 12- Line Cable Inlet |

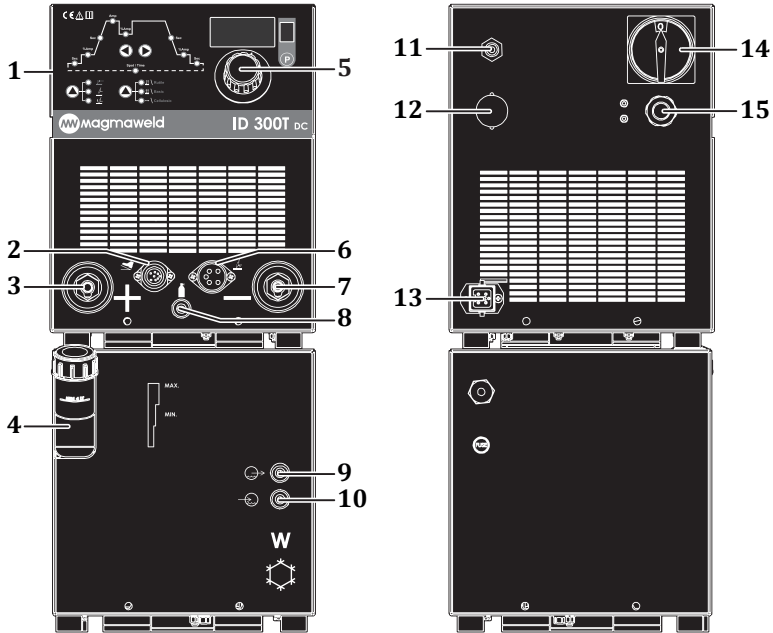
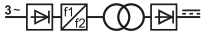


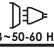


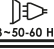
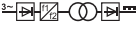







Figure 2 : ID 300 TW DC

- | | |
|--|----------------------------------|
| 1- Control Panel | 9- Water Unit Hot Water Inlet |
| 2- Pedal Control Socket | 10- Water Unit Cold Water Outlet |
| 3- Welding and Ground Cable Socket (+) | 11- Gas Inlet |
| 4- Water Unit | 12- Remote Connection Input |
| 5- Parameter Adjustment Pot | 13- Water Unit Energy Socket |
| 6- Trigger Control Socket | 14- On / Off Switch |
| 7- Welding and Ground Cable Socket (-) | 15- Line Cable Inlet |
| 8- Gas Output | |

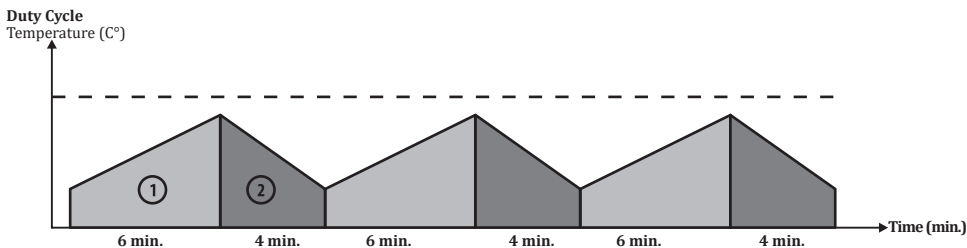
1.3 Product Label

MAGMA MEKATRONİK MAKİNE SAN. VE TİC. A.Ş. Organize Sanayi Bölgesi 5.Kısım Manisa-TÜRKİYE			
ID 300 T DC		S/N:	
		EN 60974-1 60974-10 Class A	
	---	5A / 10.2V - 300A / 22V	
	U ₀ =85V	X _(40°C)	30% 60% 100%
		I ₂	300A 212A 164A
		U ₂	22V 18.5V 16.6V
	U ₁ =400V	I _{1max} =17.8A	I _{1eff} =9.8A
3-50-60 Hz			
	---	5A / 20.2V - 300A / 32V	
	U ₀ =85V	X _(40°C)	30% 60% 100%
		I ₂	300A 212A 164A
		U ₂	32V 28.5V 26.6V
	U ₁ =400V	I _{1max} =23.3A	I _{1eff} =12.8A
3-50-60 Hz			
IP21S		CE EAC	

	Three Phase Transformer Rectifier	X	Duty Cycle
	TIG Welding	U ₀	Open Circuit Voltage
	MMA Welding	U ₁	Mains Voltage and Frequency
==	Direct Current	U ₂	Rated Welding Voltage
	Vertical Characteristic	I ₁	Rated Mains Current
	Mains Input 3-Phase Alternating Current	I ₂	Rated Welding Current
	Suitable for Operation at Hazardous Environments	S ₁	Rated Power
S/N	Serial Number	IP21S	Protection Class

• S / N (Serial Number) Description

Machine ID				Production Year				Week				Sequence Number				
X	X	X	X	X	X	X	X	X	X	X	X	X	X	X	X	X
Machine Group	Model Order											Sequence number of the machine produced within that year				



As defined in the standard EN 60974-1, the duty cycle rate includes a time period of 10 minutes. For example, if a machine specified as 250A at %60 is to be operated at 250A, the machine can weld / cut without interruption in the first 6 minutes of the 10 minutes period (zone 1). However, the following 4 minutes should be kept idle for the machine cool down (zone 2).

1.4 Technical Data

TECHNICAL DATA	UNIT	ID 300 T DC ID 300 TW DC
Mains Voltage (3-phase 50-60 Hz)	V	400
Rated Power (MMA)	kVA	16.1 (%30)
Rated Power (TIG)	kVA	12.3 (%30)
Power Source Efficiency	%	MMA 86,74 / TIG 85,63
IDLE State Power Consumption	W	29
Welding Current Range	ADC	5 - 300
Rated Welding Current	ADC	300 (%30)
Open Circuit Voltage	VDC	85
Stick Electrode Diameter Range	mm	1.60 - 5.00
Tungsten Electrode Diameter Range	mm	1.00 - 2.40
Dimensions (l x w x h)	mm	598 x 252 x 661
Weight	kg	22.5
Protection Class		IP 21S

1.5 Accessories

EN

STANDARD ACCESSORIES	QTY	ID 300 T DC ID 300 TW DC
Workpiece Clamp and Cable	1	7905212503 (25 mm ² - 3 m)
Gas Hose	1	7907000002
Lava TIG 26 (4 m) Air Cooled TIG Torch*	1	7110018004
Lava TIG 18W (4 m) Water Cooled TIG Torch*	1	7110038004

* Torch selection is according to the cooling type of the machine.

OPTIONAL ACCESSORIES	QTY	ID 300 T DC ID 300 TW DC
Electrode Clamp and Cable	1	7906202503 (25 mm ² - 3 m)
Lava TIG 26 (8 m) Air Cooled TIG Torch	1	7110018008
Lava TIG 18W (8 m) Water Cooled TIG Torch	1	7110038008
Water Cooling Unit (CST 60i)	1	7910005250
Foot Pedal (On / Off)	1	7910000120
Foot Pedal (Current Adjustable)	1	7910000140
Torch Control Tools (2 Button / 4 Button)	1	7910000003 / 7910000004
Transport Trolley (4 Wheels)	1	7910000200
Gas Regulator (Argon)	1	7020001004
TIG Accessory Set Air Cooled (Torch + Regulator)	1	7910000510
Water Cooled TIG Accessory Set (Torch + Regulator)	1	7910000530

INSTALLATION

2.1 Delivery Control

Make sure that all the materials you have ordered have been received. If any material is missing or damaged, contact your place of purchase immediately.

Scope of supply;

- Welding machine and connected mains cable
- Workpiece clamp and cable
- User manual
- Warranty certificate
- Torch

In case of a damaged delivery, record a report, take a picture of the damage and report to the transport company together with a photocopy of the delivery note. If the problem persists, contact the customer service.

Symbols and their meanings on the device



Welding may be dangerous. Proper working conditions should be ensured and necessary precautions should be taken. Specialists are responsible for the machine and have to be equipped with the necessary equipment and those who are not relevant should be kept away from the welding area.



This device is not compatible with IEC 61000-3-12. If it is desired to connect to the low voltage mains used in homes, it is essential that the installer or the person who will operate the machine to make the electrical connection has information on the machine's connectivity. In this case the responsibility will be assumed by the person who will perform the installation or by the operator.



The safety symbols and warning notes on the device and in the operating instructions must be observed and the labels must not be removed.



Grids are intended for ventilation. The openings should not be covered in order to provide good cooling and no foreign objects should be inserted.

2.2 Installation and Operation Recommendations

- Lifting rings or forklifts should be used to move the machine. Do not lift the machine with the gas cylinder. When manually carrying portable welding machines, action must be taken in accordance with Occupational Health and Safety regulations. Necessary arrangements must be made in the workplace to ensure that the transportation process is carried out in accordance with health and safety conditions as much as possible. Precautions should be taken in accordance with the characteristics of the working environment and the requirements of the job. Place the machine on a hard, level, smooth surface where it will not fall or tip over
- If the ambient temperature exceeds 40°C, operate the machine at a lower current or a lower operating cycle.
- Avoid welding outdoors in windy and rainy weather circumstances. If welding is necessary in such cases, protect the welding area and the welding machine with a curtain and canopy. If you weld indoors, use a suitable fume extraction system. Use breathing apparatus if there is a risk of inhaling welding fumes and gas in confined spaces.
- When positioning the machine, make sure that materials such as walls, curtains, panels, etc. do not impede easy access to the controls and connections of the machine.
- Observe the duty cycle rates specified on the product label. Exceeding duty cycle rates can damage the machine and this may invalidate the warranty.
- Use the fuse that is compliant with your system.
- Secure the ground cable as close as possible to the welding area.
- Do not allow the welding current to pass through equipment other than the welding cables.
- The welding cables and the mains cable must not be wrapped in the machine housing during operation.
- When the gas cylinder is placed on the machine, immediately fasten the chain to secure the gas cylinder. If you do not place the gas cylinder on the machine, fasten it to the wall with a chain

2.3 Mains Plug Connection

For your safety, never use the mains cable of the machine without a plug.

- No plug has been connected to the mains cable since there may different types of outlets available in plants, construction sites and workshops. A suitable plug must be connected by a qualified electrician.
- Make sure that the grounding cable is present.
- After connecting the plug to the cable, do not attach it to the outlet at this stage.

2.4 Connection to Mains



When plugging the power plug into the outlet, make sure that the on/off switch is set to "0".

- Support should be received from authorized persons (qualified electricians, etc.). Check the phase voltage before connecting the machine to the mains. The plug must be plugged to the outlet once it is observed to be correct.
- Turn the coarse on/off switch to position "1" to start the machine. Make sure that the indicators and leds on the control panel are lit and the cooling fan is operating.
- Turn the machine off by turning the on / off switch back to the "0" position.

2.5 Connections for TIG Welding



Check for the correct mains voltage before connecting the machine to the mains.

When plugging the power plug into the outlet, make sure that the power switch is set to "0" in the turned-off position.

- Start the machine with the on/off switch and check whether the LEDs are on and the cooling fan is working.

Tungsten Electrode Recommended TIG

Diameter (mm)	Welding Current
1.6	30-130
2.0	45-180
2.4	70-240

2.5.1 Torch Connections

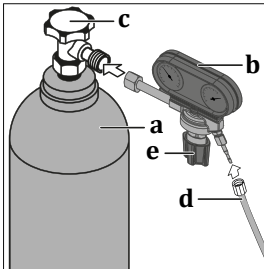
- Insert the TIG torch's plug into the negative pole welding socket and tighten it by turning to the right. Attach the torch trigger connector that came with the machine to the trigger control cables of the torch. Then connect the connector to the trigger control socket.
- Connect the gas hose of the torch to the gas outlet.
- In water-cooled models, connect the cold "blue" hose of the torch to the cold water outlet on the machine, and the hot "red" hose to the hot water inlet on the machine.

2.5.2 Gas Connections

- Secure the argon gas cylinder (a) with a chain.
- Use safe high quality regulators (b) and heaters approved by the standards to work safely and achieve the best results.
- Keep the gas cylinder valve (c) open for a while, so that possible sediment and particles are discharged.
- Connect the gas regulator to the gas cylinder, making sure that the thread on the gas outlet of the gas cylinder and the nut of the regulator overlap.
- Connect one end of the cylinder hose (d) to the gas regulator and the other end to the gas inlet at the rear of the machine and turn on the gas cylinder valve.
- Adjust the flow rate with the flow regulating valve (e).
- Make sure the connections are free of leakages.



This welding machine can carry 10/20 Liter gas cylinders. Using larger sizes may cause the gas cylinder and welding machine to tip over. When you place the gas cylinder on the machine, immediately fix the gas cylinder by connecting the chain. If you will not place the gas cylinder on the machine, fasten it to the wall with a chain.

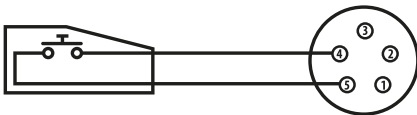


Electrode Diameter (mm)	Nozzle Diameter (mm)	Welding Current (ADC)	Gas Flow (lt/sec)
1.0	6.3	30-70	6-8
1.6	9.5	30-150	6-8

Figure 3 : Gas Connections

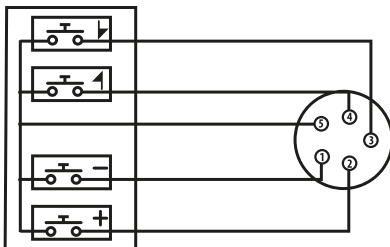
2.5.3 Trigger and Pedal System Socket Connections

- The terminals 4 and 5 must be connected to the trigger control socket.



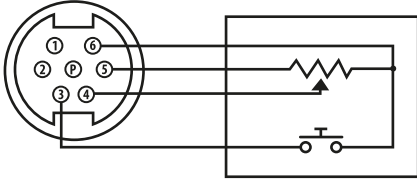
(1) Soldering direction has been taken as the reference.

- TIG Torch Connection; the trigger should be connected to the control socket with the terminals 1-2-3-4-5 as shown.



(2) Soldering direction has been taken as the reference.

- Adjustable Pedal Connection; It should be secured to the pedal socket with the ends 3-4-5-6.



(3) Soldering direction has been taken as the reference.

2.5.4 Grounding Clamps Connections

- Insert the grounding clamps cable plug (a) into the positive terminal socket and tighten it by turning right.
- To improve the welding quality, firmly connect the grounding pliers (b) to the workpiece as close as possible to the welding area.

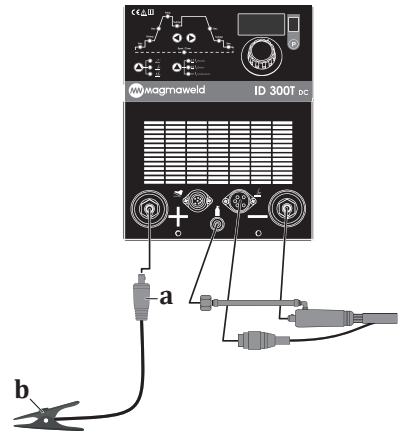


Figure 4 : Grounding Clamps Connections

2.5.5 Installation of Torch Consumables

- The ceramic gas nozzle (5) and the tungsten electrode (1) must be selected according to the operating current and the shape of the workpiece. Accordingly, the diameters of the clamp (3) and the clamp holder (4) must match with the diameter of the tungsten electrode.
- Remove the clamping cap (2).
- Remove the existing electrode from the electrode clamp and match the diameter of the new tungsten electrode.
- Secure the collect to the torch.
- Secure the clamping cap firmly head firmly.

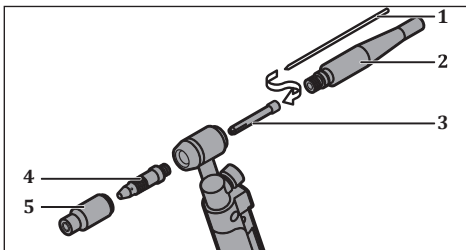


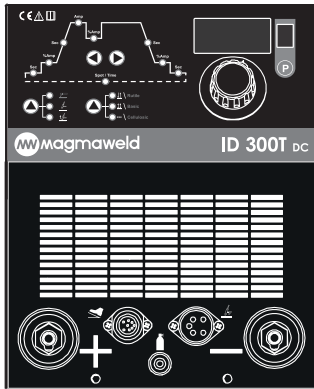
Figure 5 : Installation of Torch Consumables

2.6 Connections for (MMA) Welding

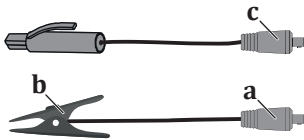


Check for the correct mains voltage before connecting the machine to the mains. When plugging the power plug into the outlet, make sure that the power switch is set to "0" in the turned-off position.

- Start the machine with the on/off switch and check whether the leds are on and the cooling fan is working.
- Connect the electrode clamp cable plug **(c)** and the grounding clamp cable plug **(a)** to the welding and ground cable sockets according to the electrode to be used and the polarity recommended by the electrode manufacturer.
- To improve the welding quality, firmly connect the grounding pliers **(b)** to the workpiece as close as possible to the welding area.



Covered "mm"	Recommended Welding Current		
	Rutile	Alkaline	Cellulosic
2.0	40-60 A	-	-
2.5	60-90 A	60-90 A	60-100 A
3.25	100-140 A	100-130 A	70-130 A
4.0	140-180 A	140-180 A	120-170 A



2.7 Water Cooling Unit (for Water Cooled Models)

- Unit The water cooling unit is used to cool the torch. It is a closed circuit system consisting of radiator, fan, pump coolant reservoir.

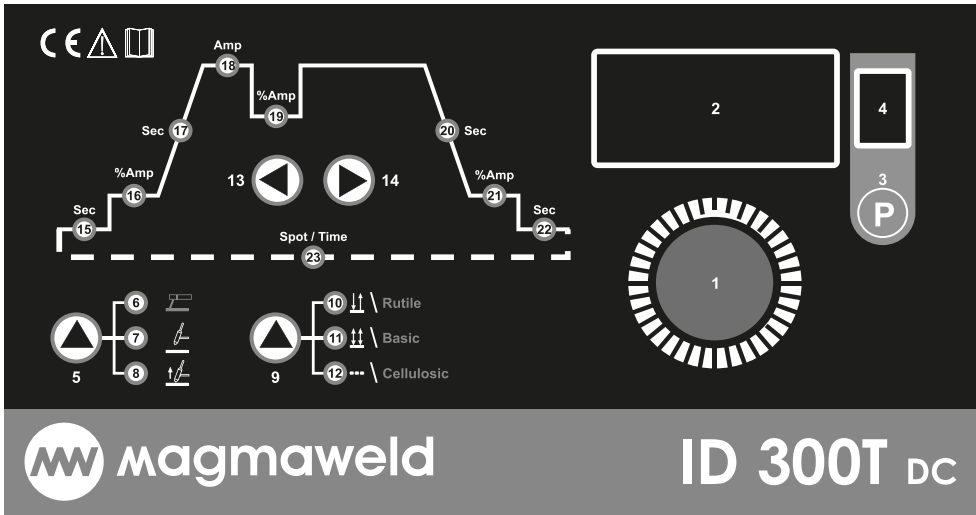
If your machine has a water cooling unit;

- Connect the cold (blue) water hose to the cold water outlet on the water cooling system, and the hot (red) water hose to the hot water inlet on the water cooling system.
- Magmaweld welding machines come with Magmaweld coolant, which is produced to give the best performance. In case of lack of coolant, open the coolant reservoir cap and add Magmaweld coolant suitable for the temperature of the working environment. The coolant must be within the minimum and maximum values shown on the front panel of the unit.
- Different coolant or water should not be added. Different liquid additives can cause chemical reactions or different problems.
- Magmaweld is not responsible for the risks that may arise in case of adding different liquids. All warranty provisions will be void if different coolant or water is added to the Magmaweld coolant.
- If it is desired to use a different brand of coolant, the inside of the coolant tank should be completely empty and there should be no residue or liquid in it.
- It is not suitable to use the water-cooling units with welding machines other than manufactured by Magma Mekatronik Makine ve Sanayi Ticaret A.Ş. Water cooling units cannot be operated with external supply.

OPERATION

EN

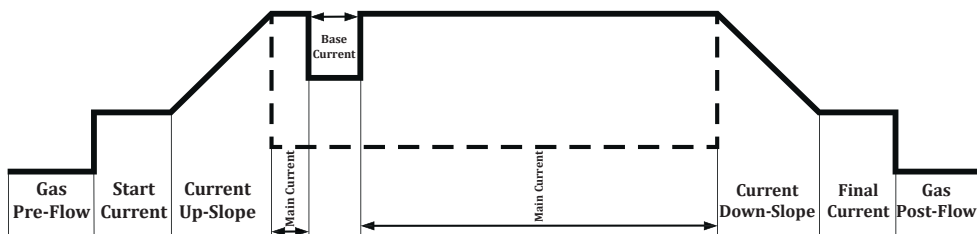
3.1 User Interface



1	<p>Parameter Adjustment Pot It is used to set the welding parameters to the desired value.</p>
2	<p>Digital Display It shows the numerical value of the selected welding parameter and the current value during welding. It also shows error message in case of error.</p>
3	<p>Program Selection Button It is used to select one of 10 work programs covering all parameter settings in TIG modes. Thanks to the programs, the adjusted parameters are kept in the memory of the machine and can be used for repetitive jobs, selected by the user. The last settings made for the selected program number will be saved automatically, no further action is required for recording. In addition, while still in TIG modes, it allows to switch to the cooling time setting when pressed for 3 seconds.</p>
4	<p>Digital Program Display Shows the program number selected with the program selection button. It also shows the letter C when setting the cooling time.</p>
5	<p>Welding Mode Selector Button It is used to select one of the MMA welding, HF ignition TIG welding and Touch Start TIG welding modes.</p> <p>6 Led lights up when MMA welding mode is selected.</p> <p>7 Led lights up when HF ignition TIG welding mode is selected. In this mode, when the electrode is approached without touching the workpiece, the arc starts with a voltage jump over the gas.</p> <p>8 Led lights up when Touch Start TIG welding mode is selected. In this mode, arc starts when the electrode touches the workpiece and is pulled.</p>

9	<p>Trigger Mode and Electrode Type Selection Button</p> <p>While in TIG welding modes; It is used to select one of the 2-Position, 4-Position, Tailstock Position modes.</p> <p>When 2-position is selected, led 10 lights up.</p> <p>When 4-position is selected, led 11 lights up.</p> <p>When the tailstock position is selected, led 12 lights up.</p> <p>While in MMA mode; It is used to select one of the rutile, basic, cellulosic electrode modes.</p> <p>When the rutile electrode is selected, led 10 lights up.</p> <p>When the basic electrode is selected, led 11 lights up.</p> <p>When cellulosic electrode is selected, led 12 lights up.</p>
13 - 14	<p>TIG Parameters Selection Buttons</p> <p>It is used to select the TIG parameter to be adjusted. After the related TIG parameter's led is on, the parameter is adjusted to the desired value with the parameter setting button.</p> <p>You can set the following TIG parameters:</p> <p>15 Pre-Gas Time</p> <p>16 Starting Current</p> <p>17 Start Ramp Time</p> <p>18 Upstream</p> <p>19 Understream</p> <p>20 End Ramp Time</p> <p>21 End Current</p> <p>22 Post Gas Time</p> <p>23 Spot Welding Time</p>

3.2 TIG Cycle



3.3 Menu Structure

The statuses of the functions on or off according to the modes are as follows.

Parameter	ID 300 T DC ID 300 TW DC	Factory Setting	LED	MMA Welding	2 Stroke TIG	4 Stroke TIG	Spot TIG
					DC	DC	DC
Pre-Gas Flow Time	0-10 sec.	0 - 5 sec.	15		✓	✓	
Start Current	5 - 300 A	30 A	16		✓	✓	
Up-Slope Time	0.1-10 sec.	1 sec.	17		✓	✓	
Main Current	5 - 300 A	85 A	18	✓	✓	✓	✓
Base Current	5 - 300 A	40 A	19			✓	
Down-Slope Time	0.1 - 10 sec.	1 sec.	20		✓	✓	
Final Current	5 - 300 A	30 A	21		✓	✓	
Post-Gas Flow Time	0-20 sec.	0.1 sec.	22		✓	✓	
Spot Welding Time	0-20 sec.	2 sec.	23				✓
Water Cooler Time	1 - 20	3 min.			✓	✓	✓

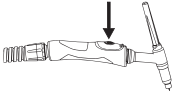
3.3.1 TIG Welding Process



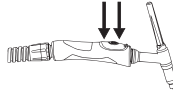
In HF Start TIG mode, a high ignition voltage is present at the torch. Never touch the tungsten electrode or parts conducting welding current when the device is switched on.

- 10 jobs programs including complete parameter settings can be stored and run for repeated jobs.
- In the first use, all parameters of all programs are in factory settings which are shown in the table.
- Push the program selection button. For selecting a previously adjusted program or changing its parameters.
- Push the welding mode selection button for selecting Touch-Lift TIG or HF start TIG.
- Push the 2 Stroke - 4 Stroke - Spot Welding Selection Button for selecting the appropriate mode for the work.
- Use TIG parameter selection button (13-14) to change the welding parameters. When the led, which belongs to the parameter you will change is turned on, adjust the parameter by turning the parameter adjustment button.
- Latest adjusted parameter values will be saved automatically. There is no need to do anything else for saving the settings.

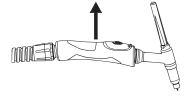
3.3.2 Usage of the TIG Welding Trigger



Press the Trigger



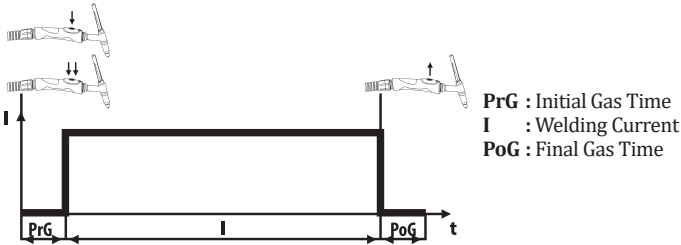
Hold the Trigger Pressed



Release Trigger

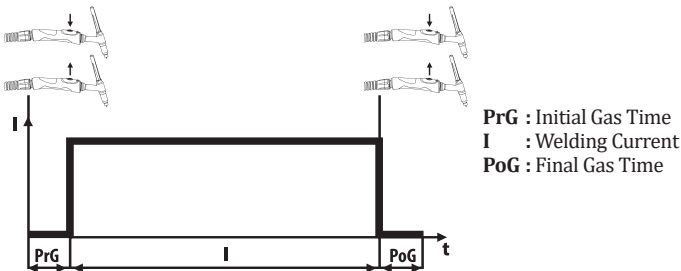
2 Stroke TIG Trigger

- Push the torch trigger and do not release your finger. Current starts with start current after pre gas-flow period and increases according to the up-slope time adjustment and reaches to value of the main current.
- Welding goes on with the main current as long as the torch trigger is kept pushed. After releasing the trigger, current decreases according to down-slope time adjustment and reaches to final current, after post gas-flow period the operation ends.



4 Stroke TIG Trigger

- When torch trigger is pushed, following the pre-gas flow, initial current starts and when the trigger is released the current ramp leads to the welding current. If DC PULSE mode is selected, according to the adjusted frequency, welding current oscillates between this reached welding current and the base current. If the trigger will be pushed and released more than 1 second, current decreases according to down-ramp adjustment, reaches to the final current, after post gas, welding ends.
- Base current is generally used for repairing and cooling during welding and crater filling at the finishing of the welding beads. Either during DC or during Pulsed DC welding if the trigger is pushed and released less than 1 second, DC base current will be on. If the trigger will be pushed less than 1 second, welder will go back to the existing welding mode and parameters, but if the trigger will be pushed and released more than 1 second, welding will be finished by following the down-ramp, final current and post-gas.



Spot TIG Trigger

- When the torch trigger is pushed, main current starts immediately and goes on as long as the torch trigger is kept pushed.
- Welding goes on during spot welding time. After spot welding time is over, current stops immediately.

EN

3.3.3 MMA Welding Process

- Push the welding mode selection button. For selecting the MMA welding mode. Stick electrode welding led lights.
- Adjust the current via current adjustment knob.
- Below table can be used as a rough reference for mild steel electrodes. For exact parameters, please refer to the electrode manufacturer recommendations.

3.4 Consumption Values

The tables below show average consumption values during welding under ideal conditions. These values may vary depending on usage and ambient conditions.

Average Shielding Gas Consumption During TIG Welding

Ceramic Nozzle No.	4	5	6	7	8	10
Average Consumption	6,5 l/min.	8 l/min.	10 l/min.	12 l/min.	12,5 l/min.	15,5 l/min.



MAINTENANCE AND SERVICE

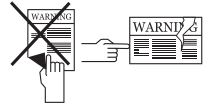
- Maintenance and repairs to the machine must be carried out by a qualified personnel. Our company will not be responsible for any accidents that may occur by unauthorized interventions.
- Parts that will be used during repair can be obtained from our authorized services. The use of original spare parts will extend the life of your machine and prevent performance losses.
- Always contact the manufacturer or an authorized service designated by the manufacturer.
- Never make interventions yourself. In this case the manufacturer warranty is no longer valid.
- Always comply with the applicable safety regulations during maintenance and repair.
- Before performing any work on the machine for repair, disconnect the machine's power plug from the power supply and wait for 10 seconds for the capacitors to discharge.

4.1 Maintenance



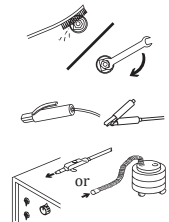
Every 3 Months

- Do not remove the warning labels on the device. Replace the worn/torn labels with the new ones. Labels can be obtained from the authorized service.
- Check your torch, clamps and cables. Pay attention to the connections and the durability of the parts. Replace the damaged/defective parts with the new ones. Do not ever make additions to/repair the cables.
- Ensure adequate space for ventilation.
- Before starting welding, check the gas flow rate from the tip of the torch with a flow meter. If the gas flow is high or low, bring it to the appropriate level for the welding process.



Every 6 Months

- Clean and tighten fasteners such as bolts and nuts.
- Check the lead of the electrode pliers and earth pliers.
- Open the side covers of the machine and clean with low pressure dry air. Do not apply compressed air to electronic components at close range.
- Periodically replace the water in the tank of the water cooling unit with fresh, hard water and protect it against freezing with antifreeze.



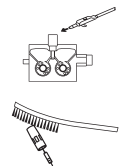
NOTE: The above mentioned periods are the maximum ones that should be applied if no problems are encountered in your device. Depending on the work load and contamination of your work environment, you can repeat the above processes more frequently.



Never operate the machine when covers are open.

4.2 Non-Periodic Maintenance

- The Wire Feeding Mechanism must be kept clean and the roller surfaces must not be lubricated.
- Always remove any deposits on the mechanism with dry air each time you replace a welding wire.
- The consumables on the torch should be cleaned regularly. It should be replaced if necessary. Make sure that these materials are original products for long-term use.



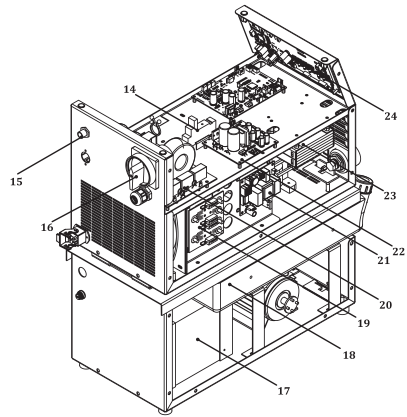
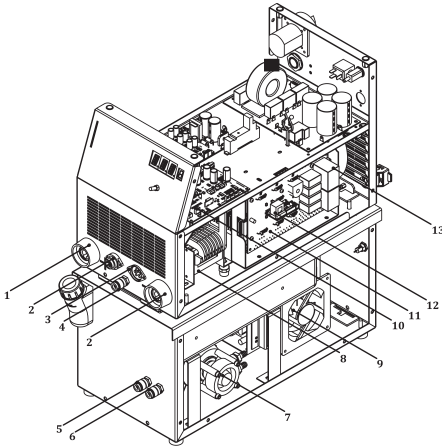
4.3 Error Codes

EN

Error Code	Error	Cause	
ERR-T1	Thermal Error	<ul style="list-style-type: none"> Machine is overheated because of high ambient temperature of exceeding duty cycle 	<ul style="list-style-type: none"> Let the machine on for a while in order to cool down itself with the cooling fan. After it cools enough, you can go on welding
E02	Power Module Error	<ul style="list-style-type: none"> Error/Errors may exist in any electronic card 	<ul style="list-style-type: none"> Switch off and switch on. If the error still exists, check the mains voltage whether it is within the range of 340V-420V or not. If the error still exists, contact the authorized service
E04	Mains Voltage High	<ul style="list-style-type: none"> Mains voltage may have increased 	<ul style="list-style-type: none"> Check the mains connection cables and the voltage. Make sure the correct voltage input is provided. If the mains voltage is normal, contact the authorized service
E08	Mains Voltage Low	<ul style="list-style-type: none"> Mains voltage may have decreased 	<ul style="list-style-type: none"> Check the mains connection cables and the voltage. Make sure the correct voltage input is provided. If the mains voltage is normal, contact the authorized service

ANNEX

5.1 Spare Part List

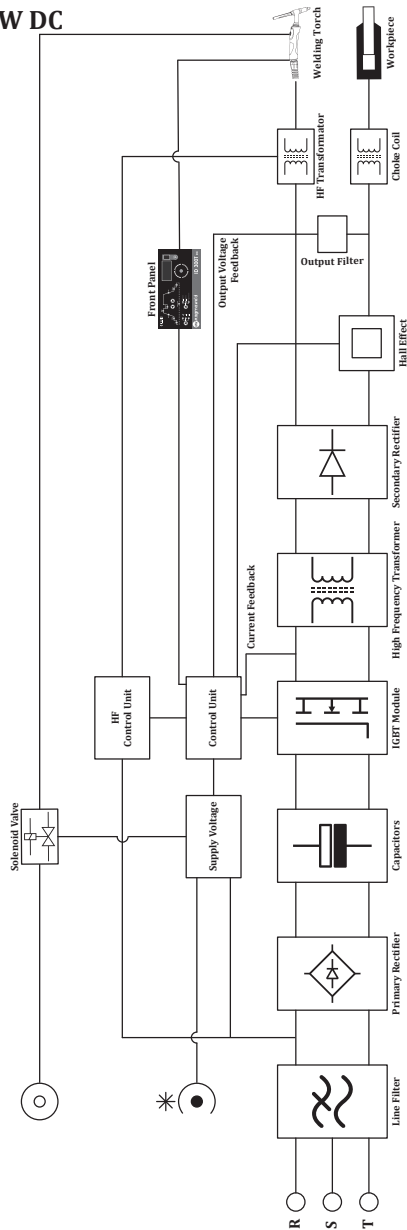


NO	DEFINITION	ID 300 T DC	ID 300 TW DC
1	Welding Socket	A377900106	A377900106
2	Electronic Card E202A-CN2	K405000202	K405000202
3	Electronic Card E202A-CN1	K405000201	K405000201
4	Quick Caplin	A245700006	A245700006
5	Quick Caplin - Blue	-	A245700002
6	Quick Caplin - Red	-	A245700003
7	Water Pump	-	A240000006
8	HF Transformer	A366700012	A366700012
9	Fan	-	A250001007
10	Electronic Card E202A-3 PFC	K405000151	K405000151
11	Electronic Card E202A-7A	K405000245	K405000245
12	Electronic Card E202A-7B	K405000200	K405000200
13	Fan	K250200018	K250200018
14	Relay	A312100014	A312100012
15	Gas Valve	A253006019	A253006019
16	Pacco Switch	A308030004	A308030004
17	Radiator	-	A260000008
18	Water Tank	-	A249000005
19	Electronic Card E202A-4B	K405000196	K405000196
20	Electronic Card E202A-FLT5	K405000227	K405000227
21	Electronic Card E110A-3	K405000263	K405000263
22	Electronic Card E202A-11B	K405000194	K405000194
23	Choke Coil	K304500115	K304500115
24	Electronic Card E202A-13	K405000195	K405000195

5.2 Connection Diagrams

Block Diagram

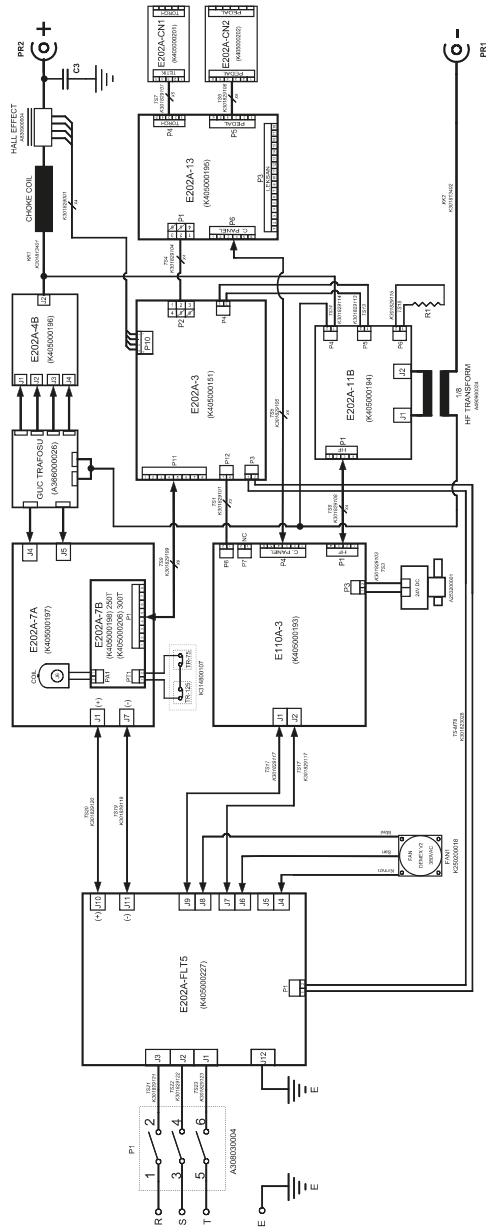
ID 300 T DC / ID 300 TW DC



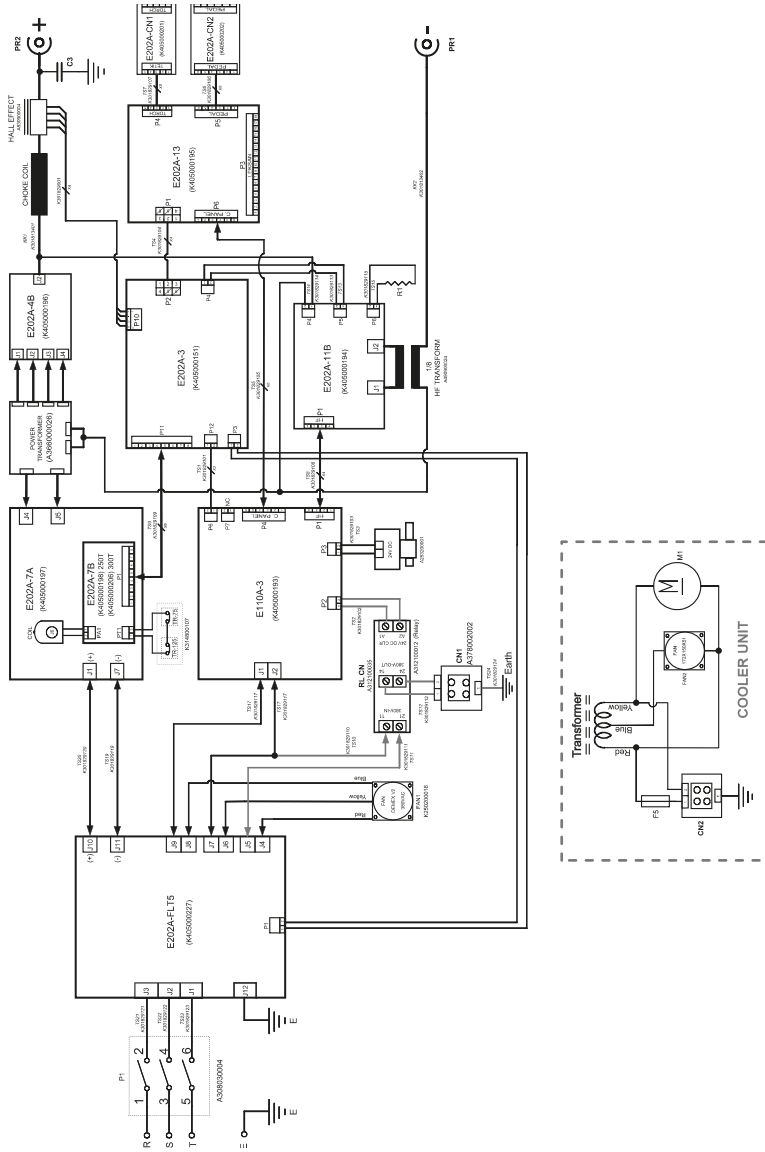
EN

Electrical Diagrams

ID 300 T DC



ID 300 TW DC



PRODUCT INFORMATION**Model****Serial Number****MANUFACTURER****Name**

MAGMA MEKATRONİK MAKİNE SANAYİ VE TİCARET A.Ş.

Address

Organize Sanayi Bölgesi 5. Kısım MANİSA

Phone / E-mail

+90 236 226 27 00 / info@magmaweld.com

PURCHASE INFORMATION**Dealer Name****City / Country****Phone / E-mail****Purchase Date****CUSTOMER INFORMATION****Company Name****City / Country****Phone / E-mail****Contact Name****SERVICE INFORMATION (if applicable)****Company Name****Technician's Name****Commissioning Date**
(Warranty Start Date)

Please visit our web site www.magmaweld.com/warranty-terms/wt for warranty terms.


SOMMAIRE

	CONSIGNES DE SÉCURITÉ	36
1	SPÉCIFICATIONS TECHNIQUES	
1.1	Explications Générales	42
1.2	Composants	42
1.3	Étiquette du Produit	44
1.4	Caractéristiques Techniques	45
1.5	Accessoires	46
2	INSTALLATION	
2.1	Considérations Relatives à la Réception du Poste de Soudage	47
2.2	Conseils d'Installation et de Fonctionnement	47
2.3	Branchements Électriques	48
2.4	Connexion Au Secteur	48
2.5	Connexions pour le Soudage TIG	48
2.5.1	Connexion de la Torche	48
2.5.2	Connexions de Gaz	49
2.5.3	Connexions des prises du système de déclenchement et de pédale	49
2.5.4	Connexions Des Pincés de Mise à La Terre	50
2.5.5	Montage Des Consommables de la Torche	50
2.6	Branchements pour la Poste de Soudage à l'Électrode Enrobée	51
2.7	Unité de Refroidissement Par Eau (pour les modèles refroidi à l'eau)	51
3	UTILISATION	
3.1	Interface Utilisateur	52
3.2	Courbe de Soudage TIG	54
3.3	Structure des menus	54
3.3.1	Méthode de soudage TIG	54
3.3.2	Utilisation des modes de soudage TIG	55
3.3.3	Méthode de soudage MMA	56
3.4	Valeurs de Consommation	56
4	MAINTENANCE ET DÉFAILLANCES	
4.1	Maintenance	57
4.2	Maintenance Non Périodique	58
4.3	Codes d'incident	58
5	ANNEXE	
5.1	Listes des Pièces Détachées	59
5.2	Schémas de Connexion	60

✓ CONSIGNES DE SÉCURITÉ

Respectez toutes les consignes de sécurité du manuel!

Informations sur la Sécurité



- Les pictogrammes de sécurité utilisés dans le présent manuel sont destinés à identifier les dangers potentiels.
- Si un pictogramme de sécurité apparaît dans le présent manuel, cela signifie qu'il existe un risque de blessure et que les dangers éventuels doivent être écartés en lisant attentivement les explications fournies.
- Le propriétaire de la poste est responsable d'empêcher les personnes non autorisées d'accéder à l'équipement.
- Toute personne appelée à travailler avec cette poste doit posséder l'expérience en soudage / coupage ou avoir terminé avec succès la formation requise, lire le présent manuel d'utilisation avant de travailler et se conformer à tout moment aux consignes de sécurité.

Pictogrammes de Sécurité



ATTENTION

Indique une situation potentiellement dangereuse qui pourrait causer des blessures ou des dommages. Le fait de ne pas prendre de précautions peut causer des blessures ou des pertes ou dommages matériels.



REMARQUE

Indique des informations et des avertissements concernant l'utilisation de la poste.



DANGER

Indique une situation imminente dangereuse qui, si elle n'est pas évitée, entraînera une blessure grave ou mortelle.

Prise de connaissance des consignes de sécurité



- Veuillez lire attentivement le présent manuel d'utilisation, les étiquettes et les consignes de sécurité se trouvant sur la poste.
- Assurez-vous que les étiquettes d'avertissement sur la poste sont en bon état. Remplacez les étiquettes manquantes ou endommagées.
- Veuillez prendre connaissance des informations concernant l'utilisation et les procédés de vérification de votre poste.
- Utilisez votre poste dans des environnements de travail appropriés.
- Des modifications inappropriées à votre poste peuvent avoir un impact négatif sur la sécurité de fonctionnement et la durée de vie de votre poste.
- Le fabricant ne pourra pas être tenu responsable des conséquences du fonctionnement de l'appareil en dehors des conditions préconisées.

L'électrisation peut entraîner la mort



Veuillez à ce que les procédures d'installation soient conformes aux normes nationales en matière d'électricité et aux autres règlements pertinents. L'installation de la poste doit être effectuée par des personnes autorisées.

- Porter un tablier de travail et des gants de protection secs offrant une bonne isolation. Ne jamais utiliser des gants et des tabliers de travail mouillés ou endommagés.
- Porter des vêtements de protection ignifuges contre le risque de brûlure. Les vêtements utilisés par l'opérateur doivent être protégés contre les étincelles, les projections et le rayonnement d'arc.
- Ne travaillez pas seul. Soyez sûr d'avoir quelqu'un qui peut vous aider en cas de danger dans votre lieu de travail.
- Ne touchez pas l'électrode avec la main nue. Ne laissez pas être en contact la pince d'électrode ou l'électrode avec quelqu'un ou avec un objet alimentaire.
- Ne touchez aucun composant électrique.
- Ne touchez pas l'électrode si vous êtes en contact avec l'électrode reliée à la surface de travail, au plancher ou à une autre poste.
- Vous pouvez vous protéger d'une électrisation potentielle en vous isolant de la surface de travail et du sol. Utilisez un matériau isolant non inflammable, électriquement isolant, sec et non endommagé, suffisamment grand pour couper le contact de l'opérateur avec la surface de travail.
- Ne connectez pas plus d'une électrode au porte-électrode.
- Placez bien la pince de masse métal-sur-métal sur votre objet de travail ou sur la table à souder.

- Vérifiez la torche avant d'utiliser la poste. Assurez-vous que la torche et ses câbles sont en bon état. Assurez-vous de remplacer une torche endommagée ou usée.
- Ne pas laisser toucher les deux pinces de masse connectés à deux différents postes. Ceci est dangereux vu qu'il y aura deux tensions en circuit ouvert.
- Gardez le poste éteint et déconnecter les câbles de soudage quand vous vous ne travaillez pas.
- Avant de réparer la poste, retirez toutes les connexions d'alimentation et / ou les connecteurs ou éteignez la poste.
- Soyez prudent lorsque vous utilisez un long câble secteur.
- Soyez sur que toutes les connexions sont bien serrées, propres et seches.
- Soyez sur que les câbles sont secs, sans graisses et protégés du métal chaud et des étincelles.
- Fil dénudé peut tuer. Contrôler fréquemment vos câbles de soudage. S'il y a des câbles endommagés ou non isolés, réparer ou échanger immédiatement les câbles.
- Isoler le câble de masse quand il n'est pas connecté à un objet de travail.
- Assurez-vous que la mise à la terre de la ligne d'alimentation est correctement connectée.
- N'utilisez pas le courant alternatif (AC) dans des endroits humides, mouillés ou confinés. Eviter également les endroits où il y aura un risque de chute.
- Le courant alternatif doit être utilisé uniquement s'il est nécessaire pour le procès de soudage.
- Si le courant alternatif est obligatoire pour votre travail, utilisez (si existe) votre télécommande pour régler votre poste.

Les précautions additionnelles sont nécessaires si une des conditions hasardeuses ci-dessous existe :

- Dans des endroits humides ou si vos habilles sont mouillés,
- Sur les structures métalliques comme les escaliers, les grilles ou les échafauds.,
- Dans des positions comme assises, à genoux ou allongées,
- Quand il y a un grand risque d'accident ou d'un contact inévitable avec l'objet de travail ou la masse.

Pour les conditions mentionnées ci-dessus, utilisez les équipements ci-dessous dans l'ordre de présentation :

- Un poste MIG semi-automatique en courant continu (DC),
- Un poste à souder MMA en courant continu (DC),
- Un poste en courant continue ou alternatif avec la tension réduit à circuit ouvert (VRD).

Procédures à suivre en cas de l'électrocution



- Arrêtez le courant électrique.
- Utilisez des matériaux non conductibles comme le bois sec pour couper le contact de la victime avec les câbles ou les endroits alimentés.
- Appelez les services de secours.

Si vous avez suivi une formation aux premiers secours ;

- Si la victime ne respire plus, après avoir coupé le contact de la victime avec le courant, effectuez immédiatement la réanimation cardiorespiratoire (RCP). Continuez la RCP jusqu'au moment où la victime respire de nouveau ou les secours arrivent.,
- Utilisez un défibrillateur automatique (DEA) selon les instructions indiquées dessus.
- Traiter une brûlure électrique comme une brûlure thermique. Appliquez des compresses stériles et froides.

Les pièces mobiles peuvent causer des blessures



- Éloignez-vous des objets en mouvement.
- Gardez tous les capots de protection tels que les portes, les panneaux, les portes des postes et des appareils fermés et verrouillés.
- Portez des chaussures à coque métallique à protection contre le risque de chute d'objets lourds.

La fumée et les gaz peuvent être nocifs pour votre santé



L'inhalation prolongée de la fumée et du gaz générés par le soudage / coupage et le découpage est très nocive pour la santé.

- La sensation de brûlure et l'irritation au niveau des yeux, des muqueuses nasales et des voies respiratoires sont des symptômes d'une ventilation inadéquate. Dans ce cas, veuillez augmenter immédiatement le niveau de ventilation de la zone de travail et arrêter le processus de soudage / coupage si le problème persiste.
- Créez un système d'aération naturelle ou artificielle dans la zone de travail.
- Utilisez un système d'absorption de fumée approprié à l'endroit où le soudage / coupage et le découpage sont effectués. Si nécessaire, installez un système adéquat pour éliminer les fumées et les gaz accumulés dans l'ensemble de l'atelier. Utilisez un système de filtration approprié pour éviter de polluer l'environnement lors du rejet.
- Si vous travaillez dans des espaces étroits ou confinés, ou que vous soudez du plomb, du béryllium, du cadmium, du zinc, des matériaux revêtus ou peints, utilisez une protection respiratoire autonome en plus des précautions susmentionnées.

- Si les bouteilles de gaz sont groupées dans une zone séparée, assurez-y une bonne ventilation, gardez les soupapes principales fermées lorsque les bouteilles de gaz ne sont pas utilisées, et surveillez les fuites de gaz éventuelles.
- Les gaz protecteurs tels que l'argon étant plus denses que l'air, ils peuvent être inhalés à la place de l'air s'ils sont utilisés à l'intérieur. Cela présente également un risque pour votre santé.
- Ne soudage / coupage pas dans des environnements contenant des vapeurs d'hydrocarbures chlorés libérées lors de la lubrification ou de la coloration.
- Certaines pièces soudées / coupées nécessitent une ventilation spéciale. Aération spéciale Les règles de sécurité des produits qui le nécessitent doivent être lues attentivement. Le masque à gaz doit être porté Dans de tels cas, un masque à gaz approprié doit être porté.

La lumière émise par l'arc peut endommager vos yeux et votre peau



- Pour protéger vos yeux et votre visage, utilisez un masque et un écran de protection en verre appropriés (4 à 13 selon la norme EN 379).
- Protégez les autres parties nues de votre corps (bras, cou, oreilles, etc.) contre ces rayons à l'aide des vêtements de protection adéquats.
- Munissez votre plan de travail d'écrans anti-flammes au niveau des yeux et accrochez des panneaux d'avertissement afin que les gens autour de vous ne soient pas exposés aux rayons de l'arc et métaux chauds.
- Cette poste n'est pas destinée à chauffer des tuyaux gelés. Ce procédé provoquera une explosion, un incendie ou des dommages à votre installation.

Les étincelles et les protections de pièces peuvent blesser vos yeux



- Les procédés tels que le soudage / coupage, le meulage, le brossage de la surface peuvent générer des étincelles et des projections de particules métalliques. Portez des lunettes de protection homologuées munies de bordures de protection sous le masque de soudure afin de prévenir les blessures éventuelles.

Les surfaces chaudes peuvent causer de brûlures graves



- Ne touchez pas les pièces chaudes à mains nues.
- Avant d'intervenir sur les pièces de la poste, attendez un certain temps pour les laisser refroidir.
- Si vous devez manipuler les pièces chaudes, portez des outils appropriés, gants de soudage / coupage à isolation thermique et vêtements résistant au feu.

Le bruit peut altérer votre capacité d'ouïe



- Le bruit créé par certains équipements et processus peut altérer l'ouïe.
- Si le niveau de bruit est élevé, portez des protège-oreilles agréés.

Le fil de soudage peut causer des blessures



- Ne maintenez pas la torche contre une partie du corps, d'autres personnes ou tout autre métal lors du dévidage du fil de soudage.
- Lors de l'ouverture manuelle du fil de soudage à partir de la bobine - en particulier pour les diamètres minces - le fil peut être éjecté de votre main comme un ressort, ce qui pourrait vous blesser ou blesser des tiers, protégez particulièrement vos yeux et votre visage lors de cette manipulation.

Le procédé de soudage / coupage peut entraîner des incendies et des explosions



- Ne jamais souder à proximité de matériaux inflammables. Un incendie ou des explosions peuvent se produire.
- Enlevez ces matériaux de l'environnement avant de commencer à soudage / coupage ou couvrez-les avec des couvertures protectrices pour éviter les brûlures.
- Les règles nationales et internationales spécifiques s'appliquent dans ces domaines.

- Ne procédez à aucune opération de soudage / coupage e ni de découpage sur des tubes ou des tuyaux entièrement fermés.
- Avant de soudage / coupage des tubes et des conteneurs fermés, ouvrez-les, videz-les complètement, ventilez-les et nettoyez-les. Prenez toutes les précautions nécessaires lors d'un soudage / coupage dans ces types d'endroits.
- Ne soudez pas les tubes ou les tuyaux destinés aux substances susceptibles de provoquer une explosion, un incendie ou d'autres réactions, même s'ils sont vides.
- L'équipement de soudage / coupage chauffe. Par conséquent, ne le placez pas sur des surfaces qui peuvent facilement être brûlées ou endommagées !

- Les étincelles générées lors du soudage peuvent provoquer un incendie. Par conséquent, gardez un extincteur, de l'eau, du sable et autres matériaux à portée de la main.
- Utilisez des clapets anti-retour, régulateurs de gaz et vannes sur les circuits de gaz inflammables, explosifs et pressurisés. Assurez-vous de leurs vérifications périodiques soient effectuées et qu'elles fonctionnent correctement.

La maintenance des postes et appareils par des personnes non autorisées peut causer des blessures



- Les équipements électriques ne doivent pas être réparés par des personnes non autorisées. Les erreurs éventuelles peuvent entraîner des blessures graves, voire mortelles, lors de l'utilisation.
- Les éléments du circuit de gaz fonctionnent sous pression; l'intervention de personnes non autorisées peut causer des explosions et des blessures graves pour les utilisateurs.
- Il est recommandé d'effectuer la maintenance technique de la poste et de ses unités auxiliaires au moins une fois par an.

Soudage / Coupage dans des endroits confinés



- Effectuez les opérations de soudage / coupage et de découpage dans des espaces confinés et de petits volumes et en compagnie d'une autre personne.
- Évitez autant que possible le soudage / coupage et le découpage dans des endroits fermés.

Le fait de ne pas prendre les précautions nécessaires lors du transport peut causer des accidents



- Prenez toutes les précautions nécessaires pour le transport de la poste. Les zones à transporter; les équipements à utiliser pour le transport et les conditions physiques et la santé de la personne chargée de la manutention doivent être conformes au processus de transport.
- Certaines postes étant extrêmement lourdes, il est important de veiller à ce que les précautions nécessaires en matière de sécurité environnementale soient prises pour la manutention.
- Si la poste de soudage doit être utilisée sur une plateforme, la capacité de charge de la plateforme doit être vérifiée.
- En cas d'utilisation d'un véhicule (chariot, chariot élévateur à fourche, etc.) lors du transport de la poste, assurez-vous que le véhicule et les accessoires d'élingage et d'arrimage (élingues, sangles d'arrimage, boulons, écrous, roues, etc.) reliant la poste au véhicule sont intacts.
- S'il s'agit d'un transport manuel, assurez-vous que les accessoires d'élingage et d'arrimage (élingues, sangles d'arrimage, etc.) et leurs connexions soient bien fixées.
- Afin de garantir les conditions de transport nécessaires, consultez les règles de l'Organisation Internationale du Travail sur le poids du transport et les réglementations en vigueur dans votre pays.
- Utilisez toujours des poignées ou des anneaux pour le déplacement du bloc d'alimentation. Ne tirez jamais sur les torches, les câbles ou les tuyaux. Transportez toujours les bouteilles de gaz séparément.
- Avant de transporter le matériel de soudage / coupage et de découpe, débranchez toutes les connexions intermédiaires, puis soulevez et transportez les petites pièces séparément en les tenant par leurs poignées, et les grandes à l'aide d'un équipement de manutention approprié tel que des anneaux de transport ou des chariots élévateurs.

La chute de pièces peut causer des blessures



Ne pas positionner correctement l'alimentation électrique ou tout autre équipement peut causer des blessures graves et des dommages matériels.

- Installer votre poste sur des sols et des plateformes avec une inclinaison maximale de 10° pour éviter les chutes et les renversements. Préférez les zones immobiles, mais vastes, facilement ventilées et sans poussière, qui ne génèrent pas le flux de matériaux. Disposez les câbles et tuyaux de telle manière que personne ne puisse les piétiner ou trébucher dessus. Pour éviter que les bouteilles de gaz ne se renversent, fixez-les sur la plate-forme pour les postes équipées d'une plate-forme à gaz adaptée à la bouteille et sur le mur à l'aide d'une chaîne pour les installations fixes afin d'éviter tout basculement.
- Les opérateurs doivent facilement et rapidement accéder aux paramètres de commande et connexions de la poste.

Une utilisation excessive provoque la surchauffe de la poste



- Laissez la poste refroidir en fonction des cycles de fonctionnement.
- Réduisez le courant ou le taux de cycle de fonctionnement avant de recommencer le soudage.
- Ne bloquez pas les entrées de ventilation de la poste.
- Ne placez pas de filtre sur les entrées de ventilation de la poste sans l'approbation du fabricant.

Le soudage à l'arc peut causer des interférences électromagnétiques



Cet appareil n'est pas conforme à la norme CEI 61000-312. Si vous souhaitez vous connecter au réseau basse tension utilisé dans les maisons, l'installateur ou la personne qui utilisera la machine doit être familiarisé avec la connexion de la machine, dans ce cas la responsabilité appartient à l'opérateur.

- Assurez-vous que la zone d'exploitation soit conforme à la compatibilité électromagnétique (CEM). Les interférences électromagnétiques qui peuvent se produire lors du soudage / coupage ou du découpage peuvent causer des effets indésirables sur vos appareils électroniques et votre secteur. Les effets qui peuvent se produire au cours du processus sont sous la responsabilité de l'opérateur.
- Si des interférences se produisent, des mesures supplémentaires peuvent être prises pour assurer la conformité, telles que l'utilisation de câbles courts, l'utilisation de câbles blindés, le transport de la machine à souder vers un autre endroit, l'enlèvement des câbles du dispositif et/ou de la zone affectée, l'utilisation de filtres, ou la protection CEM de la zone de travail.
- Effectuez les opérations de soudage / coupage le plus loin possible (100 m) de vos appareils électroniques sensibles pour prévenir les dommages CEM potentiels.
- Assurez-vous que votre machine de soudage et de découpe est installée et placée conformément aux consignes d'utilisation.

Évaluation de la compatibilité électromagnétique du champ de fonctionnement



Conformément à l'article 5.2 de CEI 60974-9 ;

Avant d'installer la machine de soudage / coupage et de découpe, le responsable du site et / ou l'opérateur doit vérifier les interférences électromagnétiques éventuelles dans l'environnement. Les conditions suivantes sont à considérer ;

- Autres câbles d'alimentation, câbles de commande, câbles de signalisation et câbles téléphoniques au-dessus, au-dessous et à côté de la machine et du matériel de soudage / coupage,
- Émetteurs et récepteurs de radio et de télévision,
- Matériel informatique et autre matériel de contrôle,
- Équipements de sécurité critiques, par exemple protection de l'équipement industriel,
- Appareils médicaux des personnes à proximité, tels que stimulateurs cardiaques et appareils auditifs,
- Équipement utilisé pour la mesure ou l'étalonnage,
- Immunité des autres équipements dans l'environnement. L'opérateur doit s'assurer que tout autre matériel utilisé dans l'environnement soit compatible. Cela peut nécessiter des mesures de protection supplémentaires,
- Les limites de la zone d'inspection peuvent se varier en fonction du temps pendant lequel le procédé de soudage / coupage ou d'autres activités seront effectués pendant la journée, de la taille de l'environnement, de la structure du bâtiment et d'autres activités.

En plus de l'évaluation des conditions de la zone, l'évaluation de l'installation des appareils peut également être nécessaire pour résoudre l'effet perturbateur. Si nécessaire, des mesures sur site peuvent également être prises pour confirmer l'efficacité des mesures d'atténuation.

(Source: CEI 60974-9)

Moyens pour réduire les interférences



- La machine doit être branchée à un réseau électrique tel que recommandé et par une personne autorisée. En cas d'interférence, des mesures supplémentaires telles que le filtrage du réseau peuvent être mises en place. L'alimentation d'équipement de soudage à l'arc fixe doit être effectuée à partir du tube métallique ou un câble blindé équivalent. Une connexion et un bon contact électrique doivent être assurés entre le blindage et le boîtier de l'alimentation.
- L'entretien de routine recommandé pour la machine doit être effectué. Lors de l'utilisation de la machine, tous les capots de protection doivent être fermés et / ou consignés. Aucun changement ni modification autre que les réglages standards ne doivent être effectués sur la machine sans l'approbation écrite du fabricant. Sinon, l'opérateur sera responsable de toutes les conséquences.
- Les câbles de soudage / coupage doivent être aussi courts que possible. Le cheminement des câbles sur le sol de la zone de travail doit être parallèle. Les câbles de soudage ne doivent en aucun cas être enroulés autour du corps.
- Un champ magnétique se forme dans la machine lors du soudage / coupage. Cela peut amener la machine à tirer les pièces métalliques sur elle-même. Afin d'éviter ce phénomène, assurez-vous que les matériaux métalliques soient à une distance de sécurité et sécurisés. L'opérateur doit être isolé de tous ces matériaux métalliques interconnectés.

- Toutefois, dans certains pays où la connexion directe n'est pas autorisée, la connexion peut être établie à l'aide d'éléments de capacité appropriés, conformément aux réglementations locales en vigueur. Le blindage et la protection d'autres périphériques et câbles dans la zone de travail peuvent prévenir les effets perturbateurs. Le cas échéant, la connexion entre la pièce à usiner et la terre peut être réalisée sous forme de connexion directe. Toutefois, dans certains pays où la connexion directe n'est pas autorisée, la connexion peut être établie à l'aide d'éléments de capacité appropriés, conformément aux réglementations locales en vigueur.
- Le blindage et la protection d'autres périphériques et câbles dans la zone de travail peuvent prévenir des effets perturbateurs. Le blindage de toute la zone de soudage / coupage peut être évalué pour certaines applications spécifiques.

Magnétique électromagnétique (CEM)



Le courant électrique passant par n'importe quel conducteur crée des champs électriques et magnétiques régionaux (CEM). Les opérateurs doivent suivre les procédures suivantes afin de minimiser les risques engendrés par l'exposition aux CEM du circuit de soudage :

- Afin de réduire le champ magnétique, les câbles de soudage / coupage doivent être rassemblés et fixés autant que possible avec des équipements de fixation (ruban, serre-câbles, etc.).
- Le corps et la tête de l'opérateur doivent être tenus aussi loin que possible de la machine à soudage / coupage et des câbles.
- Les câbles électriques et de soudage / coupage ne doivent jamais être enroulés autour du corps du poste à souder.
- Le corps ne doit pas rester entre les fils de soudage / coupage. Les câbles de soudage doivent être tenus à l'écart du qq corps, côte à côte.
- Le câble de retour doit être connecté à la pièce à usiner aussi près que possible de la zone soudage / coupage.
- Ne vous appuyez pas sur le groupe électrogène de soudage, ne vous asseyez pas dessus et ne travaillez pas trop près.
- Le soudage / coupage ne doit pas être effectué pendant le transport de l'unité d'alimentation en fil de soudage / coupage ou du bloc d'alimentation en courant de soudage.

Les CEM peuvent également perturber le fonctionnement des implants médicaux (substance placée à l'intérieur du corps), tels que les stimulateurs cardiaques. Des mesures de protection doivent être prises pour les personnes portant des implants médicaux. Par exemple, l'accès dans la zone du travail pourraient être restreint pour les passants, ou des évaluations individuelles des risques pourraient être effectuées pour les soudeurs. Une évaluation des risques doit être effectuée par un spécialiste médical pour les utilisateurs d'implants médicaux.

Protection



- N'exposez pas la machine à la pluie, empêchez les éclaboussures d'eau ou de la vapeur pressurisée d'y pénétrer.

Efficacité Énergétique



- Choisissez la méthode et la machine de soudage / coupage appropriées pour votre soudage.
- Sélectionnez le courant et/ou la tension de soudage / coupage en fonction du matériau et de l'épaisseur auxquels vous soudez.
- Si vous devez attendre longtemps pour le soudage / coupage, éteignez la machine une fois que le ventilateur l'a refroidie. Nos machines (produits) munies d'un système de ventilateur intelligent s'arrêteront automatiquement.

Procédure relative aux déchets



- Cet appareil n'est pas un déchet ménager. Elle doit être déposée dans un centre de recyclage agréé dans le cadre de la directive de l'Union Européenne et du droit national.
- Renseignez-vous auprès de votre revendeur et des personnes autorisées sur la gestion des déchets de votre machine usagée.

FORMULAIRE DE GARANTIE



Pour le formulaire de garantie, visitez notre site web www.magmaweld.fr/formulaire-de-garantie/wr.

SPÉCIFICATIONS TECHNIQUES

1.1 Explications Générales

ID 300 T DC et ID 300 TW DC, Machine de soudage de type inverseur, triphasée DC TIG et électrode enrobée. Il est conçu pour le soudage TIG des métaux et brûler des électrodes jusqu'à 5 mm. Il dispose de commandes TIG professionnelles avancées telles que l'allumage HF, le démarrage au toucher, le pré-étranglement, la pente ascendante, la pente descendante, le remplissage final des gaz et des cratères. Les options rutile, basique et cellulosique sont disponibles dans le mode de soudage à électrode enrobée. En mode TIG, 10 programmes de travail peuvent être stockés en mémoire et sélectionnés en fonction du travail, vous permettant de réaliser complètement la même soudure. Tous les paramètres de soudage peuvent être réglés via le panneau de commande et surveillés via des indicateurs numériques. Il peut également être utilisé avec un générateur fournissant une puissance et une fréquence appropriées. Il peut également être utilisé avec jusqu'à 25 mètres de câbles de soudage. La machine est refroidie par ventilateur et thermiquement protégée contre la surchauffe.

1.2 Composants

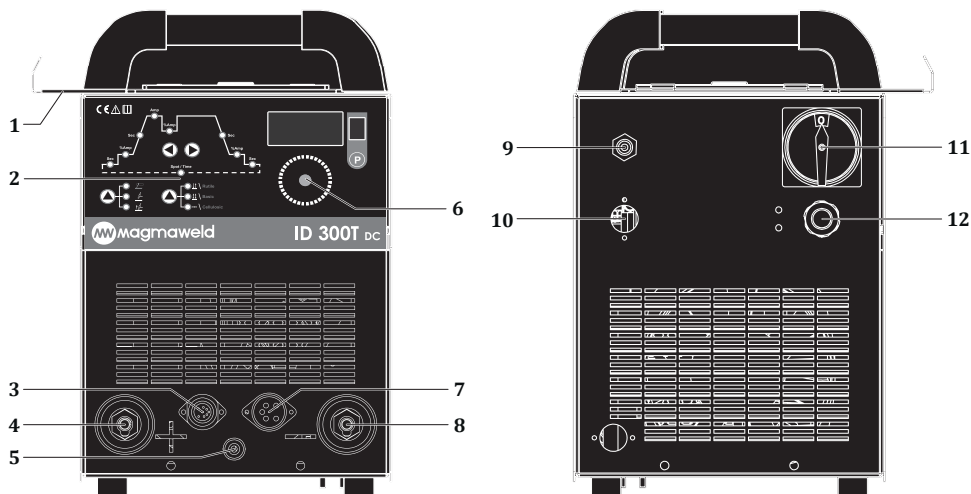


Figure 1 : ID 300 T DC

- | | |
|--|--|
| 1- Torche Sangle de transport | 7- Prise de commande de la gâchette |
| 2- Pupitre de commande | 8- Prise de câble de soudage et de masse (-) |
| 3- Prise de commande de pédale | 9- Entrée de gaz |
| 4- Prise de câble de soudage et de masse (+) | 10- Entrée de connexion de contrôle à distance |
| 5- Sortie de gaz | 11- Bouton marche/arrêt |
| 6- Bouton de réglage des paramètres | 12- Entrée du câble d'alimentation |

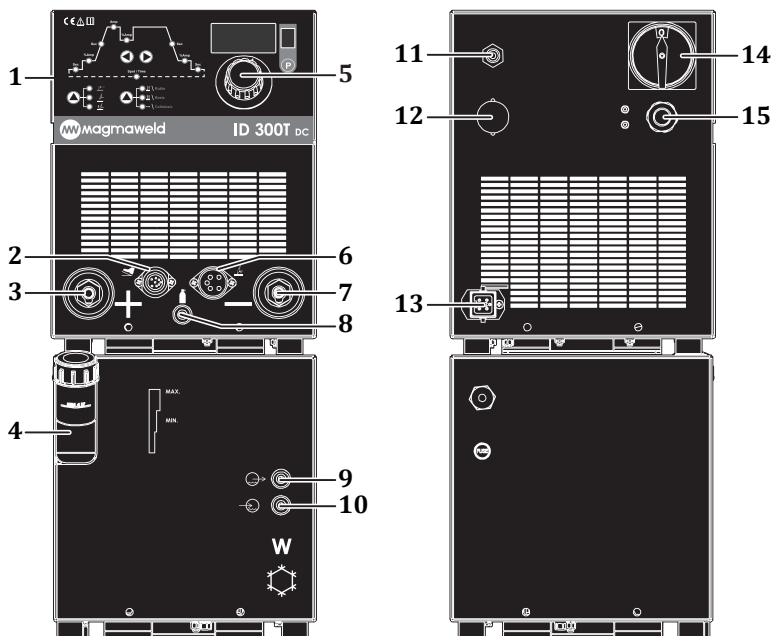





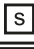



Figure 2 : ID 300 TW DC

- | | |
|--|--|
| 1- Pupitre de commande | 9- Entrée d'eau chaude de l'unité d'eau |
| 2- Prise de commande de pédale | 10- Sortie d'eau froide de l'unité d'eau |
| 3- Prise de câble de soudage et de masse (+) | 11- Entrée de gaz |
| 4- Unité de l'Eau | 12- Entrée de connexion de contrôle à distance |
| 5- Bouton de réglage des paramètres | 13- Prise d'énergie de l'unité d'eau |
| 6- Prise de commande de la gâchette | 14- Bouton marche/arrêt |
| 7- Prise de câble de soudage et de masse (-) | 15- Entrée du câble d'alimentation |
| 8- Sortie de gaz | |

1.3 Étiquette du Produit

MAGMA MEKATRONİK MAKİNE SAN. VE TİC. A.Ş. Organize Sanayi Bölgesi 5.Kısım Manisa-TÜRKİYE			
ID 300 T DC		S/N:	
		EN 60974-1 60974-10 Class A	
	---	5A / 10.2V - 300A / 22V	
	U ₀ =85V	X _(40C°)	30% 60% 100%
		I ₂	300A 212A 164A
		U ₂	22V 18.5V 16.6V
	U _i =400V	I _{1max} =17.8A	I _{1eff} =9.8A
3-50-60 Hz			
	---	5A / 20.2V - 300A / 32V	
	U ₀ =85V	X _(40C°)	30% 60% 100%
		I ₂	300A 212A 164A
		U ₂	32V 28.5V 26.6V
	U _i =400V	I _{1max} =23.3A	I _{1eff} =12.8A
3-50-60 Hz			
IP21S		CE EAC	

 Transformateur Redresseur Triphasé

X Cycle de Fonctionnement



Soudage TIG

U₀ Tension de Fonctionnement à Vide



Soudage MMA

U₁ Tension et Fréquence du Secteur



Courant Continu

U₂ Tension Nominale de Soudage



Caractéristique verticale

I₁ Courant d'entrée Assigné



Entrée Secteur - Courant Alternatif Triphasé

I₂ Courant d'entrée Nominal



Compatible Pour Travailler dans des Environnements Dangereux

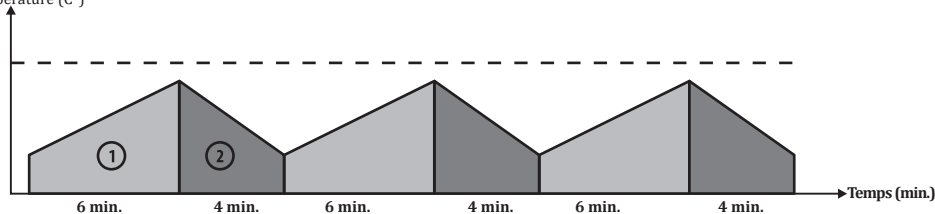
S₁ Tension d'entrée Assignée

S/N Numéro de Série

IP23S Classe de Protection

• S / N Description du (Numéro de Série)

ID de la Machine	Production				Numéro de Séquence					
	Année	Semaine								
X X X X	X X	X X	X X	X X	X X X X X					
Groupe de Commande Machines de Modèle					Numéro de séquence de la machine produite dans l'année					

Cycle de Fonctionnement
Température (C°)

Le taux de cycle de fonctionnement comprend une période de 10 minutes, telle que définie dans l'EN 60974-1. Par exemple, si vous souhaitez travailler à 250 A sur un poste spécifié à 250 A à 60%, le poste peut souder / couper sans arrêt (zone 1) pendant les 6 premières minutes de la période de 10 minutes. Cependant, le poste doit rester inactive pendant les 4 minutes suivantes pour se refroidir.

1.4 Caractéristiques Techniques

SPÉCIFICATIONS TECHNIQUES	UNITÉ	ID 300 T DC ID 300 TW DC
Alimentation Triphasé 50-60 Hz	V	400
Tension d'entrée assignée électrode enrobée	kVA	16.1 (%30)
Puissance d'entrée Assigné pour Soudage TIG	kVA	12.3 (%30)
Efficacité de la Source d'Alimentation	%	MMA 86,74 / TIG 85,63
Consommation d'Énergie en Veille	W	29
Zone d'ajustement de courant de soudage	ADC	5 - 300
Courant d'entrée nominal pour soudage TIG	ADC	300 (%30)
Tension de circuit ouvert	VDC	85
Gamme de diamètres d'électrodes de soudage	mm	1.60 - 5.00
Gamme de diamètre d'électrode en tungstène	mm	1.00 - 2.40
Dimensions (Alimentation) (LxLxH)	mm	598 x 252 x 661
Poids	kg	22.5
Classe de protection		IP 21S

1.5 Accessoires

FR

ACCESSOIRES STANDARDS	QUANTITÉ	ID 300 T DC ID 300 TW DC
Pince et câble de pièce à usiner	1	7905212503 (25 mm ² - 3 m)
Tuyau de Gaz	1	7907000002
Lava TIG 26 (4 m) Torche TIG Refroidie par Air	1	7110018004
Lava TIG 18W (4 m) Torche TIG Refroidie par EAU	1	7110038004

* Doit être précisé lors de la commande.

ACCESSOIRES EN OPTION	QUANTITÉ	ID 300 T DC ID 300 TW DC
Pince et Câble de Masse	1	7906202503 (25 mm ² - 3 m)
Lava TIG 26 (8 m) Torche TIG Refroidie par Air	1	7110018008
Lava TIG 18W (8 m) Torche TIG Refroidie par EAU	1	7110038008
Unité de Refroidissement par Eau (CST 60i)	1	7910005250
Pédale (Marche/Arrêt)	1	7910000120
Pédale (courant réglable)	1	7910000140
Kits de contrôle de torche (2 boutons / 4 boutons)	1	7910000003 / 7910000004
Chariot de transport (4 roues)	1	7910000200
Régulateur de gaz (Argon)	1	7020001004
Kit d'accessoires TIG Refroidi à l'air (Torche + Détendeur)	1	7910000510
Kit d'accessoires TIG Refroidi à l'eau (Torche + Détendeur)	1	7910000530

INSTALLATION

2.1 Considérations Relatives à la Réception du Poste de Soudage

Assurez-vous que tous les composants que vous avez commandés soient livrés. Si un matériel quelconque est manquant ou endommagé, contactez immédiatement votre revendeur.

La boîte standard comprend les éléments suivants;

- Poste principale et câble secteur connecté
- Certificat de garantie
- Manuel d'Utilisation
- Pince et Câble de Masse
- Torche

En cas de réception de la marchandise endommagée, prenez les photos des dégâts constatés et signalez-les au transporteur avec une copie du bon de livraison. Si le problème persiste, contactez le service client.

Symboles se trouvant sur le poste de soudage et leur signification



Le procédé de soudage est dangereux. Les conditions de travail appropriées doivent être fournies et les précautions nécessaires doivent être prises. Les experts sont responsables de la poste et doivent fournir le matériel nécessaire. Les personnes non concernées doivent être tenues à l'écart de la zone de soudage.



Ce poste de soudage n'est pas conforme à la norme CEI 61000-3-12. Si vous souhaitez vous connecter au réseau basse tension utilisé dans les résidences, l'installateur ou la personne qui utilisera la poste doit être familiarisé avec la connexion de la poste, dans ce cas la responsabilité appartient à l'opérateur.



Il faut respecter les symboles de sécurité et les avertissements qui se trouvent sur le poste et dans le manuel d'utilisation et ne pas retirer les étiquettes.



Les grilles sont destinées à la ventilation. Les ouvertures ne doivent pas être recouvertes afin d'assurer un bon refroidissement et aucun corps étranger ne doit être y introduit.

2.2 Conseils d'Installation et de Fonctionnement

- Des anneaux de levage ou des chariots élévateurs doivent être utilisés pour déplacer la machine. Ne soulevez pas la machine avec la bouteille de gaz. Lorsque vous transportez manuellement des machines à souder portatives, des mesures doivent être prises conformément aux réglementations en matière de santé et de sécurité au travail. Les dispositions nécessaires doivent être prises sur le lieu de travail pour garantir que le processus de transport s'effectue dans le plus grand respect des conditions de santé et de sécurité. Des précautions doivent être prises en fonction des caractéristiques de l'environnement de travail et des exigences du travail. Placez la machine sur une surface dure, plane et lisse où elle ne risque pas de tomber ou de se renverser.
- Lorsque la température ambiante dépasse 40 °C, faites fonctionner la machine à un courant plus faible ou à un cycle de fonctionnement plus faible.
- Évitez de souder à l'extérieur lorsqu'il y a du vent et de la pluie. Si le soudage est nécessaire dans de tels cas, protégez la zone de soudage et la poste de soudage avec des rideaux et des auvents. Si vous soudez à l'intérieur, utilisez un système approprié d'absorption de fumée. Utilisez un appareil respiratoire s'il y a un risque d'inhalation de fumée et de gaz à l'intérieur.
- Lors du positionnement de la poste, assurez-vous que les matériaux tels que les murs, les rideaux et les panneaux n'empêchent pas un accès facile aux commandes et aux connexions de la poste.
- Respectez les taux de cycle de fonctionnement spécifiés sur l'étiquette du produit. Dépasser régulièrement le nombre de cycle approprié peut endommager la poste et annuler la garantie.
- Utilisez un fusible approprié pour votre système.
- Connectez le fil de masse aussi près que possible de la zone de soudage.
- Ne laissez pas le courant de soudage traverser des éléments autres que les câbles de soudage, tels que la poste elle-même, la bouteille de gaz, la chaîne et le roulement.
- Fixez la bouteille de gaz au mur avec une chaîne.
- Si vous ne placez pas la bouteille de gaz sur la poste, fixez-la au mur à l'aide de la chaîne.

2.3 Branchements Électriques



Pour votre sécurité, n'utilisez jamais le câble secteur de la poste sans fiche.

- Puisqu'il peut y avoir différentes prises en fonction de l'usine, des chantiers de construction et des ateliers, le câble d'alimentation est livré sans fiche. Une fiche adaptée à la prise doit être connectée par un électricien qualifié.
- Assurez-vous que le câble de la mise à la masse est présent.
- Après le raccordement de la fiche au câble, ne pas brancher le câble à la prise à ce stade.

2.4 Connexion Au Secteur



Assurez-vous que le bouton marche/arrêt de la poste est en position "0" lorsque vous branchez la fiche dans la prise.

- L'assistance doit être obtenue auprès de personnes autorisées (électricien qualifié, etc.) concernant la connexion. La tension de phase doit être vérifiée avant de connecter la poste au secteur. Une fois qu'il est déterminé qu'il est correct, la fiche doit être insérée dans la prise.
- Démarrez la poste en tournant le bouton Marche/Arrêt sur la position "1". Assurez-vous que les voyants et les voyants du panneau de commande sont allumés et que le ventilateur de refroidissement fonctionne.
- Éteignez la machine en remettant l'interrupteur marche/arrêt en position « 0 ».

2.5 Connexions pour le Soudage TIG



Avant de connecter la poste au secteur, vérifiez que la tension du secteur est correcte. Lors de l'insertion de la fiche, assurez-vous que l'interrupteur d'alimentation de la poste est en position "0".

- Démarrez la poste avec le bouton marche/arrêt et vérifiez si les voyants sont allumés et si le ventilateur de refroidissement fonctionne.

Électrode En Tungstène Diamètre (mm)	TIG Recommandé Courant de Soudage
1.6	30-130
2.0	45-180
2.4	70-240

2.5.1 Connexion de la Torche

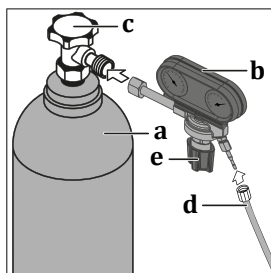
- Insérez la fiche de la torche TIG dans la prise de soudage du pôle négatif et serrez-la en la tournant vers la droite. Fixez le connecteur de déclenchement de la torche fourni avec la poste aux câbles de commande de la gâchette de la torche. Ensuite, connectez le connecteur à la prise de commande de déclenchement.
- Branchez le tuyau de gaz de la torche à la sortie de gaz.
- Refroidissement par eau sous tuyau de torche refroidi par eau, type d'unité de refroidissement par eau.
- Complétez le tuyau froid "bleu" de la torche vers la sortie d'eau chaude ouverte, le tuyau "rouge" vers l'entrée d'eau chaude de la poste.

2.5.2 Connexions de Gaz

- Fixez le cordon de gaz argon **(a)** à l'aide d'une chaîne.
- Utilisez un régulateur **(b)** conforme aux normes pour travailler en toute sécurité et obtenir des résultats optimaux.
- Laissez la valve de la bouteille de gaz **(c)** ouverte pendant un moment, de manière à évacuer les éventuels sédiments et particules.
- Connectez le régulateur de gaz à la bouteille de gaz, en veillant à ce que le filetage de la vis de la sortie de gaz de la bouteille de gaz et l'écrou du régulateur se chevauchent.
- Raccordez une extrémité du tuyau de la bouteille **(d)** au régulateur de gaz et l'autre extrémité à l'entrée de gaz à l'arrière du poste et ouvrez le robinet de la bouteille de gaz.
- Réglez le débit de gaz à l'aide de la vanne de régulation de pression **(e)**.
- Assurez-vous qu'il n'y a pas de fuite au niveau des connexions.



Seules des bouteilles de 10 litres ou 20 litres doivent être utilisées dans cette machine à souder. L'utilisation de tubes de plus grande taille peut faire basculer le tube et la soudeuse. Lorsque vous placez la bouteille de gaz sur la machine, attachez immédiatement la chaîne pour fixer la bouteille de gaz. Si vous ne placez pas la bouteille de gaz sur la machine, fixez la bouteille au mur avec une chaîne.

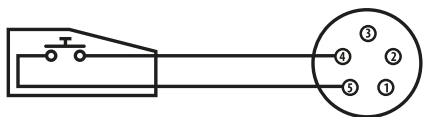


Diamètre de L'électrode (mm)	Diamètre de La Buse (mm)	Courant de Soudage (ACC)	Flux de Gaz (l/min)
1.0	6.3	30-70	6-8
1.6	9.5	30-150	6-8

Figure 3 : Connexions de gaz

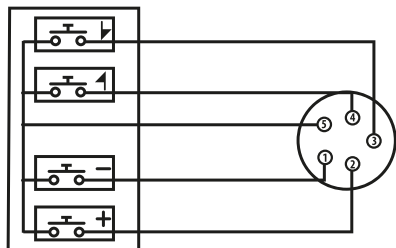
2.5.3 Connexions des prises du système de déclenchement et de pédale

- Les bornes 4 et 5 doivent être connectées à la prise de commande de déclenchement.



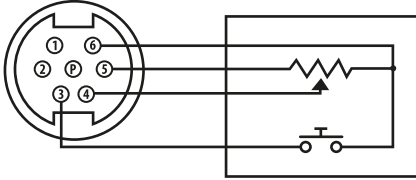
(1) Le sens de soudure est référencé.

Connexion de la torche TIG ; Les bornes de la prise de commande de déclenchement 1-2-3-4-5 doivent être connectées comme indiqué sur la figure.



(2) Le sens de soudure est référencé.

- Connexion Pédale réglable ; Reliez le connecteur de pédale aux bornes 3-4-5-6.



(3) Le sens de soudure est référencé.

2.5.4 Connexions des pinces de mise à la terre

- Insérez la fiche (a) du câble de la pince de mise à la terre dans la prise du pôle positif, tournez-la vers la droite et serrez-la.
- Pour améliorer la qualité du soudage, fixez fermement la pince de mise à la terre (b) à la pièce, aussi près que possible de la zone à souder.

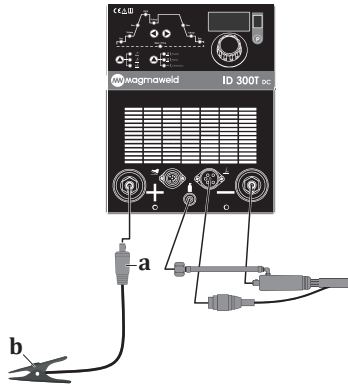


Figure 4 : Connexions des pinces de mise à la terre

2.5.5 Montage Des Consommables de la Torche

- La buse en céramique (5) et l'électrode en tungstène (1) doivent être choisis en fonction du courant de soudage et de la forme de la pièce. En conséquence, les diamètres de la pince (3) et du porte-pince (4) doivent correspondre au diamètre de l'électrode en tungstène.
- Retirez la tête de serrage (2).
- Retirez l'électrode existante de la pince porte-électrode; le diamètre de la nouvelle électrode en tungstène doit correspondre au diamètre de celle-ci.
- Installez la pince porte-électrode sur la torche.
- Serrez fermement la tête de serrage.

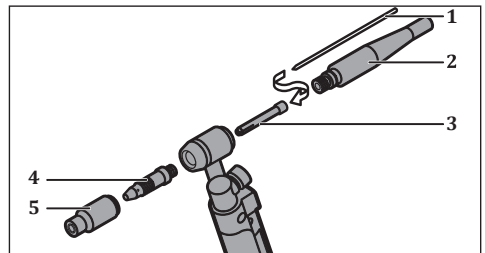


Figure 5 : Montage Des Consommables de la Torche

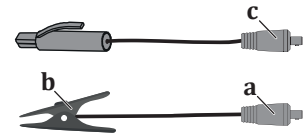
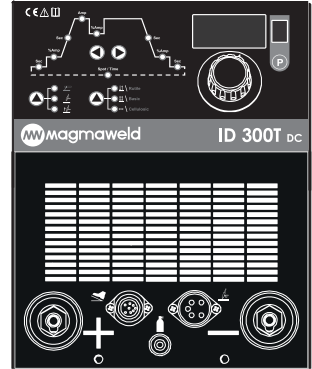
2.6 Branchements pour la Poste de Soudage à l'Électrode Enrobée



Avant de connecter la poste au secteur, vérifiez que la tension du secteur est correcte. Lors de l'insertion de la fiche, assurez-vous que l'interrupteur d'alimentation de la poste est en position "0".

- Démarrez la poste avec le bouton marche/arrêt et vérifiez si les voyants sont allumés et si le ventilateur de refroidissement fonctionne.
- Reliez la fiche du câble de la pince porte-électrode (**c**) et la fiche du câble de la pince de la mise à la masse (**a**) aux prises de câble de masse et de soudage en fonction de l'électrode à utiliser et de la polarité recommandée par le fabricant de l'électrode.
- Pour améliorer la qualité du soudage, connectez fermement la pince de mise à la masse (**b**) à la pièce à usiner aussi près que possible de la zone à souder.

Diamètre de l'électrode Enrobée "mm"	Courant de soudage recommandé		
	Rutile	Basic	Cellulosique
2.0	40-60 A	-	-
2.5	60-90 A	60-90 A	60-100 A
3.25	100-140 A	100-130 A	70-130 A
4.0	140-180 A	140-180 A	120-170 A



2.7 Unité de Refroidissement Par Eau (pour les modèles refroidi à l'eau)

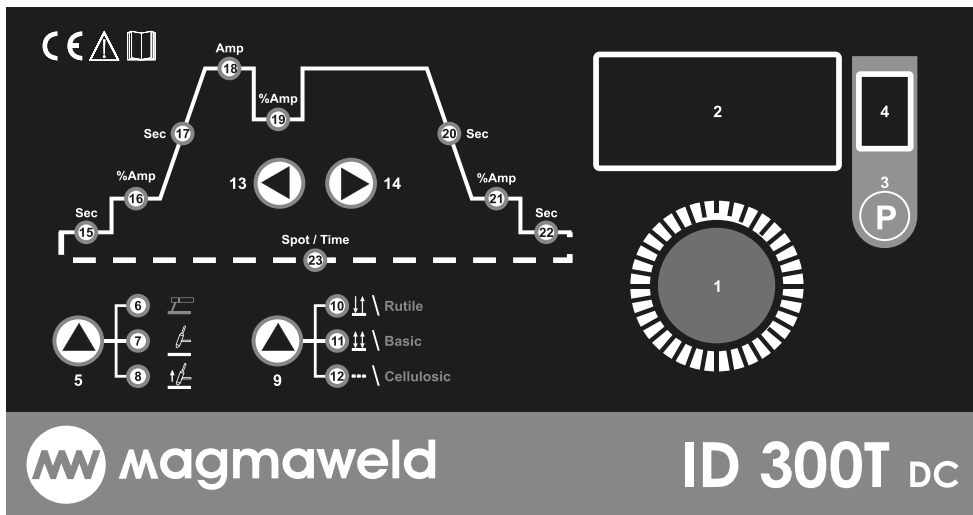
- L'unité de refroidissement par eau est utilisée pour refroidir la torche. Il s'agit d'un système en circuit fermé composé d'un radiateur, d'un ventilateur, d'un réservoir de liquide de refroidissement et de la pompe.

Si votre machine est équipée d'un refroidisseur d'eau ;

- Connectez le tuyau d'eau froide (bleu) à la sortie d'eau froide du système de refroidissement par eau et le tuyau d'eau chaude (rouge) à l'entrée d'eau chaude du système de refroidissement par eau.
- Les machines à souder Magmaweld sont livrées avec le liquide de refroidissement Magmaweld, qui est produit pour donner les meilleures performances. En cas de manque de liquide de refroidissement, ouvrez le bouchon du réservoir de liquide de refroidissement et ajoutez du liquide de refroidissement Magmaweld adapté à la température de l'environnement de travail. Le liquide de refroidissement doit être compris dans les valeurs minimales et maximales indiquées sur le panneau avant de l'unité.
- Un autre liquide de refroidissement ou de l'eau ne doit pas être ajouté. Différents additifs liquides peuvent provoquer des réactions chimiques ou différents problèmes.
- Magmaweld n'est pas responsable des risques pouvant survenir en cas d'ajout de liquides différents. Toutes les dispositions de la garantie seront annulées si un liquide de refroidissement ou de l'eau différent est ajouté au liquide de refroidissement Magmaweld.
- Si vous souhaitez utiliser une autre marque de liquide de refroidissement, l'intérieur du réservoir de liquide de refroidissement doit être complètement vide et il ne doit y avoir aucun résidu ou liquide à l'intérieur.
- Il n'est pas approprié d'utiliser les unités de refroidissement par eau avec des machines à souder autres que celles fabriquées par Magma Mekatronik Makine ve Sanayi Ticaret A.Ş. Les refroidisseurs à eau ne peuvent pas fonctionner avec une alimentation externe.

UTILISATION

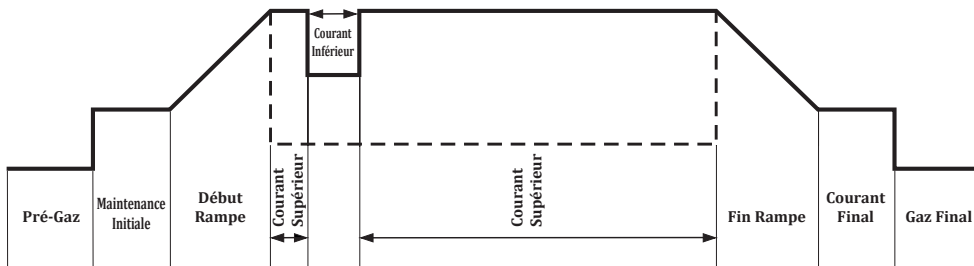
3.1 Interface Utilisateur



1	<p>Potentiomètre de réglage des paramètres Il est utilisé pour régler les paramètres de soudage à la valeur souhaitée.</p>
2	<p>Affichage numérique Il affiche la valeur numérique du paramètre de soudage sélectionné et la valeur actuelle pendant le soudage. Il affiche également un message d'erreur en cas d'erreur.</p>
3	<p>Bouton de sélection de programme Il est utilisé pour sélectionner l'un des 10 programmes de travail couvrant tous les réglages de paramètres dans les modes TIG. Grâce aux programmes, les paramètres ajustés sont conservés dans la mémoire de la machine et peuvent être utilisés pour des travaux répétitifs, sélectionnés par l'utilisateur. Les derniers réglages effectués pour le numéro de programme sélectionné seront automatiquement enregistrés, aucune autre action n'est requise pour l'enregistrement. De plus, toujours en mode TIG, appuyer et maintenir pendant 3 secondes permet de passer au réglage du temps de refroidissement.</p>
4	<p>Affichage numérique du programme Affiche le numéro de programme sélectionné avec le bouton de sélection de programme. En outre, il affiche la lettre C lors du réglage du temps de refroidissement.</p>
5	<p>Bouton de sélection du mode de soudage Il est utilisé pour sélectionner l'un des modes de soudage MMA, de soudage TIG à allumage HF et de soudage TIG Touch Start. La LED 6 s'allume lorsque le mode MMA est sélectionné. La LED 7 s'allume lorsque le mode de soudage TIG à amorçage HF est sélectionné. Dans ce mode, lorsque l'électrode est approchée sans toucher la pièce, l'arc démarre avec un saut de tension sur le gaz. La LED 8 s'allume lorsque le mode de soudage TIG Touch Start est sélectionné. Dans ce mode, l'arc démarre lorsque l'électrode touche la pièce et est tirée.</p>

9	<p>Bouton de sélection du mode de déclenchement et du type d'électrode ; En modes de soudage TIG ; Il est utilisé pour sélectionner l'un des modes 2 positions, 4 positions, position de la poupée mobile. Lorsque 2 positions est sélectionnée, la led 10 s'allume. Lorsque 4 positions est sélectionnée, la led 11 s'allume. Lorsque la position contre-pointe est sélectionnée, la led 12 s'allume.</p> <p>En mode MMA ; Il est utilisé pour sélectionner l'un des modes d'électrode rutile, basique, cellulosique. Lorsque l'électrode rutile est sélectionnée, la led 10 s'allume. Lorsque l'électrode de base est sélectionnée, la led 11 s'allume. Lorsque l'électrode cellulosique est sélectionnée, la led 12 s'allume.</p>
13 - 14	<p>Boutons de sélection des paramètres TIG Il permet de sélectionner le paramètre TIG à régler. Une fois que la led du paramètre TIG correspondant s'allume, le paramètre est ajusté à la valeur souhaitée à l'aide du bouton de réglage des paramètres. Vous pouvez définir les paramètres TIG suivants :</p> <ul style="list-style-type: none"> 15 Temps de pré-gaz 16 Courant de démarrage 17 Temps de rampe de démarrage 18 En amont 19 Sous-courant 20 Fin du temps de rampe 21 Courant de fin 22 Temps de post-gaz 23 Temps de soudage par points

3.2 Courbe de Soudage TIG



3.3 Structure des menus

Les états des fonctions (activées ou désactivées) selon les modes sont indiqués dans le tableau ci-dessous :

Paramètre	ID 300 T DC ID 300 TW DC	Réglage Par Default	LED	Örtülü Elektrod	Position 2 TIG	Position 4 TIG	Soudage Par Points TIG
					DC	DC	DC
Temps de Pré-Gaz	0-10 sec.	0 - 5 sec.	15		✓	✓	
Courant Initial	5 - 300 A	30 A	16		✓	✓	
Temps de Rampe Initial	0.1-10 sec.	1 sec.	17		✓	✓	
Courant Supérieur	5 - 300 A	85 A	18	✓	✓	✓	✓
Courant Inférieur	5 - 300 A	40 A	19		✓	✓	
Fin du Temps de Rampe	0.1 - 10 sec.	1 sec.	20		✓	✓	
Courant Final	5 - 300 A	30 A	21		✓	✓	
Temps de Gaz Final	0-20 sec.	0.1 sec.	22		✓	✓	
Temps de Soudage Par Points	0-20 sec.	2 sec.	23		✓	✓	✓
Temps de refroidissement de l'eau	1 - 20	3 min.					✓

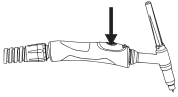
3.3.1 Méthode de soudage TIG



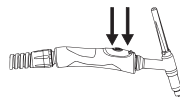
En mode TIG avec amorçage HF, la torche a une tension d'amorçage élevée. Ne touchez jamais l'électrode de soudage ou les pièces qui conduisent le courant de soudage lorsque l'appareil est en marche.

- 10 programmes de travaux couvrant tous les réglages de paramètres sont conservés dans la mémoire de la machine et peuvent être utilisés pour des travaux répétitifs en les configurant par l'utilisateur.
- Pour utiliser un programme dont vous avez défini les paramètres auparavant, ou pour modifier les paramètres d'un programme, sélectionnez le programme en appuyant sur le bouton de sélection de programme.
- Sélectionnez le soudage TIG à amorçage HF ou le soudage TIG à démarrage tactile en appuyant sur le bouton de sélection du mode de soudage.
- Utilisez le bouton de sélection 2 positions / 4 positions / Position de la poupée mobile pour sélectionner le mode approprié pour le travail.
- Utilisez les boutons de sélection des paramètres TIG pour modifier les paramètres de soudage. Lorsque la LED du paramètre dont vous souhaitez modifier la valeur s'allume, réglez le paramètre en tournant le bouton de réglage des paramètres.
- Les derniers réglages que vous avez faits pour le numéro de programme que vous avez sélectionné seront sauvegardés automatiquement, vous n'avez rien à faire pour l'enregistrement.
- Pour réutiliser un programme dont vous avez défini les paramètres ou pour modifier ses paramètres, vous pouvez sélectionner le programme en appuyant sur le bouton de sélection de programme et l'utiliser exactement, ou modifier ses paramètres.

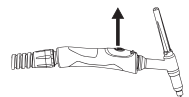
3.3.2 Utilisation des modes de soudage TIG



Appuyez Sur la Gâchette



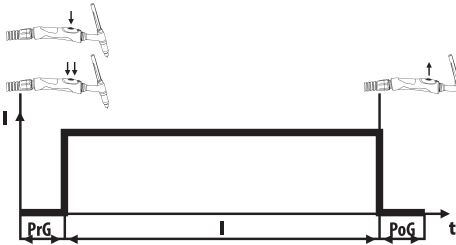
Maintenez la Gâchette



Relâchez la Gâchette

Soudage TIG à 2 positions

- Lorsque vous maintenez enfoncée la gâchette de la torche, le courant de démarrage démarre après le pré-gaz et augmente jusqu'au niveau de courant supérieur pendant la rampe et continue dans le courant supérieur tant que la gâchette est maintenue enfoncée.
- Lorsque vous relâchez la gâchette, le courant diminue pendant la rampe de fin et descend jusqu'au niveau de courant de fin, mettant fin à la source. Ensuite, le gaz final entre en jeu.



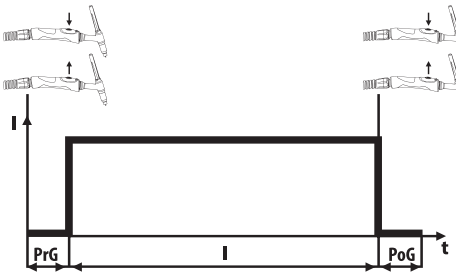
PrG : Temps de Pré-Gaz

I : Courant de Soudage

PoG : Temps de Gaz Final

Soudage TIG 4 positions

- Lorsque vous appuyez sur la gâchette de la torche, le courant de démarrage démarre après le pré-gaz et lorsque vous relâchez la gâchette, le courant augmente pendant la rampe jusqu'au niveau de courant supérieur, c'est-à-dire le courant de soudage. Après avoir appuyé et tiré sur la gâchette dans le courant supérieur, le courant diminue pendant la rampe et atteint le courant de fin. Après la dernière période de gaz, le processus se termine.
- La sous-verse est généralement utilisée pour la réparation ou le refroidissement léger pendant le soudage, le remplissage des cratères et la fermeture finale aux extrémités de soudage. À la fin du soudage, si le bouton inférieur est enfoncé sur la gâchette de la torche, le courant de réparation est activé, lorsque le bouton inférieur est enfoncé à nouveau, le soudage se termine. Lorsque le bouton supérieur est enfoncé, le courant principal de soudage passe, lorsque le bouton supérieur est enfoncé à nouveau, la période de fin de soudage commence. En fonction de la vitesse de la rampe, le courant final est atteint. Le but du flux final est de fournir un refroidissement contrôlé de l'extrémité soudée et d'éliminer le risque de fissuration.



PrG : Temps de Pré-Gaz

I : Courant de Soudage

PoG : Temps de Gaz Final

Soudage TIG par points

- Lorsque vous appuyez sur la gâchette de la torche, le courant de soudage et le gaz démarrent immédiatement et continuent tant que vous maintenez la gâchette enfoncée, le soudage se termine lorsque vous relâchez la gâchette à tout moment.

3.3.3 Méthode de soudage MMA

- Appuyez sur le bouton de sélection du mode de soudage jusqu'à ce que la led de soudage MMA s'allume.
- Sélectionnez le type d'électrode que vous utiliserez avec le bouton de sélection du type d'électrode.
- Les numéros de programme et les paramètres de soudage ne sont pas actifs en mode électrode enrobée. Dans ce mode, seule la led courant de soudage est active. Réglez le courant de soudage avec le bouton de réglage des paramètres.

3.4 Valeurs de Consommation

Les tableaux ci-dessous montrent les valeurs moyennes de consommation pendant le soudage dans des conditions idéales. Ces valeurs peuvent varier en fonction de l'utilisation et des conditions ambiantes.

Consommation Moyenne de Gaz de Protection Pendant le Soudage TIG

Numéro de la Buse en Céramique	4	5	6	7	8	10
Consommation Moyenne	6,5 l/min.	8 l/min.	10 l/min.	12 l/min.	12,5 l/min.	15,5 l/min.



MAINTENANCE ET DÉFAILLANCES

- L'entretien et la réparation de la machine doivent être effectués par des personnes compétentes. Notre société n'est pas responsable des accidents qui se produisent à la suite d'interventions par des personnes non autorisées.
- Les pièces à utiliser pendant la réparation peuvent être obtenues auprès de nos services autorisés. L'utilisation de pièces détachées d'origine prolongera la durée de vie de votre machine et empêchera les pertes de rendement.
- Contactez toujours le fabricant ou un agent de service autorisé spécifié par le fabricant.
- Toute tentative non autorisée par le fabricant pendant la période de garantie annulera toutes les dispositions de la garantie.
- Respectez scrupuleusement les consignes de sécurité applicables pendant les procédures d'entretien et de réparation.
- Avant toute opération de réparation de la machine, déconnectez la sortie électrique de la machine du secteur et attendez 10 secondes pour que les condensateurs se déchargent.

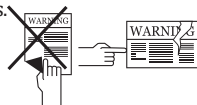
FR

4.1 Maintenance



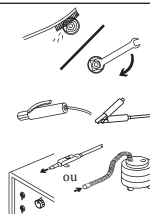
Tous les 3 Mois

- Ne retirez pas les étiquettes d'avertissement sur l'appareil. Remplacez les étiquettes usées / déchirées par des neuves. Vous pouvez obtenir les étiquettes auprès de votre revendeur.
- Vérifiez la torche, les pinces et les câbles. Vérifiez le bon état et les fixations des composants. Remplacez les pièces endommagées ou défectueuses par des nouvelles. N'utilisez pas des rallonges pour les câbles et n'essayez jamais réparer un câble.
- Assurez-vous qu'il y a suffisamment d'espace pour la ventilation.
- Avant de commencer le soudage, vérifiez le débit de gaz de la pointe de la torche à l'aide d'un débitmètre. Si le débit de gaz est élevé ou faible, amenez-le au niveau adapté pour le soudage.



Tous les 6 Mois

- Nettoyez et serrez les fixations telles que les boulons et les écrous.
- Vérifiez la tresse de la pince porte électrode et de la pince de masse.
- Ouvrez les capots latéraux de la machine et nettoyez-les à l'air sec à basse pression. N'appliquez pas d'air comprimé de près sur des composants électroniques.
- Remplacez périodiquement l'eau dans le réservoir de l'unité de refroidissement par de l'eau non dure et propre et protégez-la du gel avec de l'antigel.



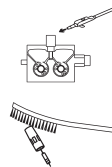
REMARQUE: Les délais mentionnés ci-dessus sont les périodes maximales à appliquer dans le cas où aucun problème ne se produit sur la machine. En fonction de la densité de votre activité et de la pollution de votre environnement de travail, vous pouvez répéter les opérations ci-dessus plus fréquemment.



Ne jamais procéder au soudage lorsque les couvercles du poste de soudage sont ouverts.

4.2 Maintenance Non Périodique

- Le mécanisme du dévidoir doit être toujours maintenu propre et les surfaces des bobines ne doivent jamais être lubrifiées.
- Éliminez toujours les dépôts accumulés sur le mécanisme avec de l'air sec lors de chaque remplacement d'un fil de soudage.
- Les consommables sur la torche doivent être nettoyés régulièrement et remplacés si nécessaire. Pour une utilisation longue durée de ces matériaux, assurez-vous que ce sont des produits originaux.



4.3 Codes d'incident

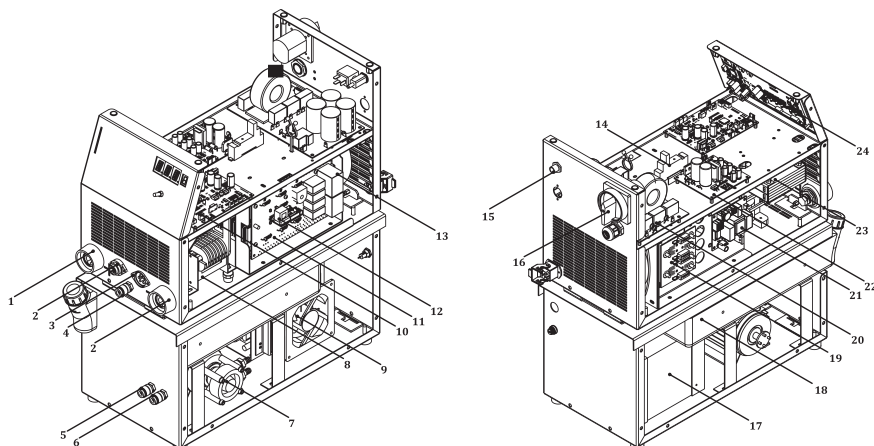
Code d'incident	Incident	Cause	Solution
ERR-T1	Défaillance thermique	<ul style="list-style-type: none"> • La machine peut être surchauffée à la suite d'un soudage prolongé à des températures élevées dans l'air ou à des valeurs d'ampérage élevées 	<ul style="list-style-type: none"> • Laissez la machine fonctionner pendant un certain temps afin que le ventilateur refroidisse la machine. Lorsque la machine refroidit et que le message d'erreur disparaît, vous pouvez continuer à souder
E02	Erreur du module d'alimentation	<ul style="list-style-type: none"> • La carte électronique peut être défectueuse 	<ul style="list-style-type: none"> • Éteignez et rallumez la machine. Si le problème persiste, vérifiez la tension secteur. Si la tension secteur est normale mais que le problème persiste, contactez le service agréé
E04	Tension Secteur Basse	<ul style="list-style-type: none"> • La tension secteur peut être basse 	<ul style="list-style-type: none"> • Vérifiez les câbles de raccordement au secteur et la tension. Assurez-vous que la tension fournie est correcte. Avant toute opération de réparation de la machine, déconnectez la sortie électrique de la machine du secteur et attendez 10 secondes pour que les condensateurs se déchargent
E08	Tension Secteur Élevée	<ul style="list-style-type: none"> • La tension secteur peut être élevée 	<ul style="list-style-type: none"> • Vérifiez les câbles de raccordement au secteur et la tension. Assurez-vous que la tension fournie est correcte. Avant toute opération de réparation de la machine, déconnectez la sortie électrique de la machine du secteur et attendez 10 secondes pour que les condensateurs se déchargent



ANNEXE

5.1 Listes des Pièces Détachées

FR

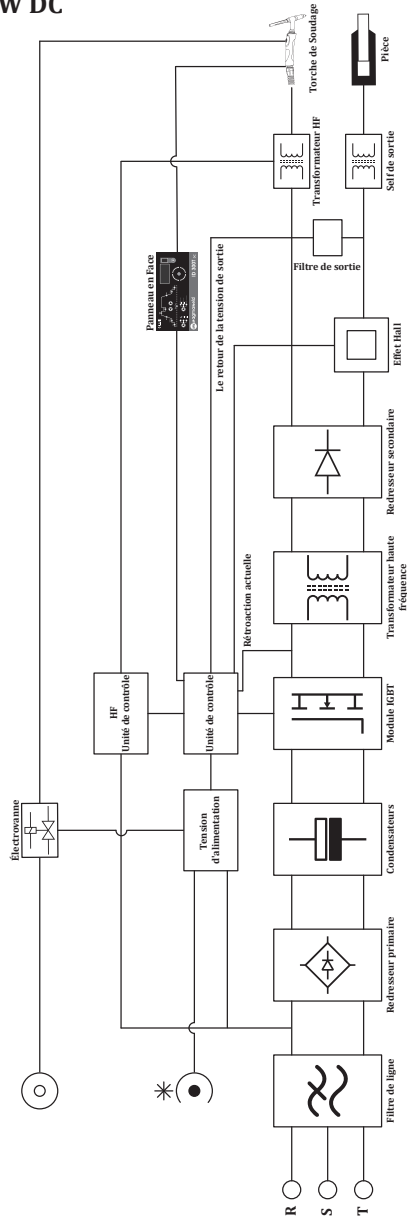


N°	DESCRIPTION	ID 300 T DC	ID 300 TW DC
1	Prise de soudage	A377900106	A377900106
2	Carte électronique E202A-CN2	K405000202	K405000202
3	Carte électronique E202A-CN1	K405000201	K405000201
4	Raccord Rapide	A245700006	A245700006
5	Raccord rapide - Bleu	-	A245700002
6	Raccord rapide - Rouge	-	A245700003
7	Réservoir d'eau	-	A240000006
8	Transformateur HF	A366700012	A366700012
9	Ventilateur	-	A250001007
10	Carte électronique E202A-3 PFC	K405000151	K405000151
11	Carte électronique E202A-7A	K405000245	K405000245
12	Carte électronique E202A-7B	K405000200	K405000200
13	Ventilateur	K250200018	K250200018
14	Relais	A312100014	A312100012
15	Valve à Gaz	A253006019	A253006019
16	Commutateur Pako	A308030004	A308030004
17	Radiateur	-	A260000008
18	Réservoir d'eau	-	A249000005
19	Carte électronique E202A-4B	K405000196	K405000196
20	Carte électronique E202A-FLT5	K405000227	K405000227
21	Carte électronique E110A-3	K405000263	K405000263
22	Carte électronique E202A-11B	K405000194	K405000194
23	Bobine d'arrêt	K304500115	K304500115
24	Carte électronique E202A-13	K405000195	K405000195

5.2 Schémas de connexion

FR

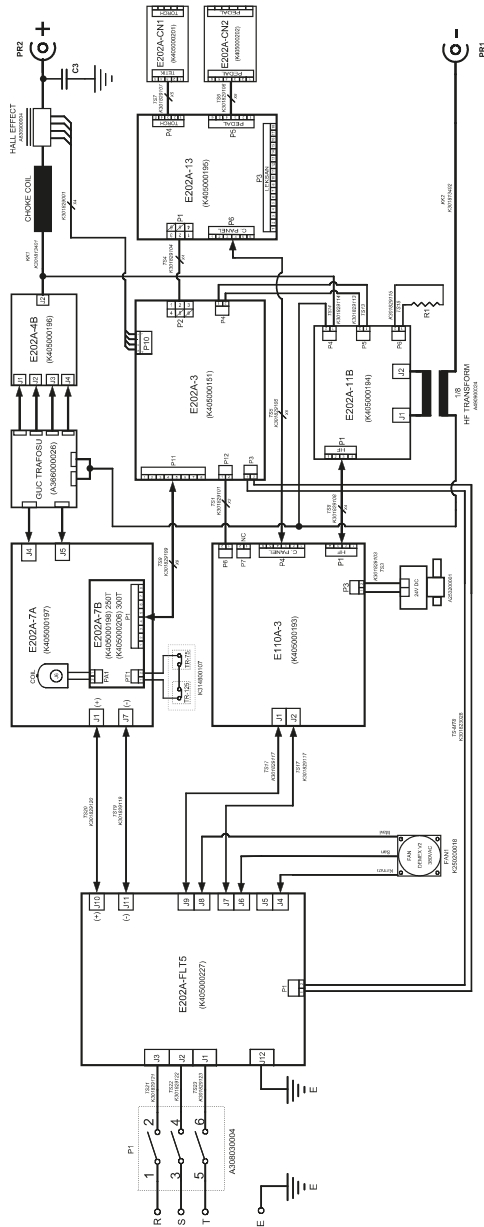
Diagramme
ID 300 T DC / ID 300 TW DC



Schémas de circuit

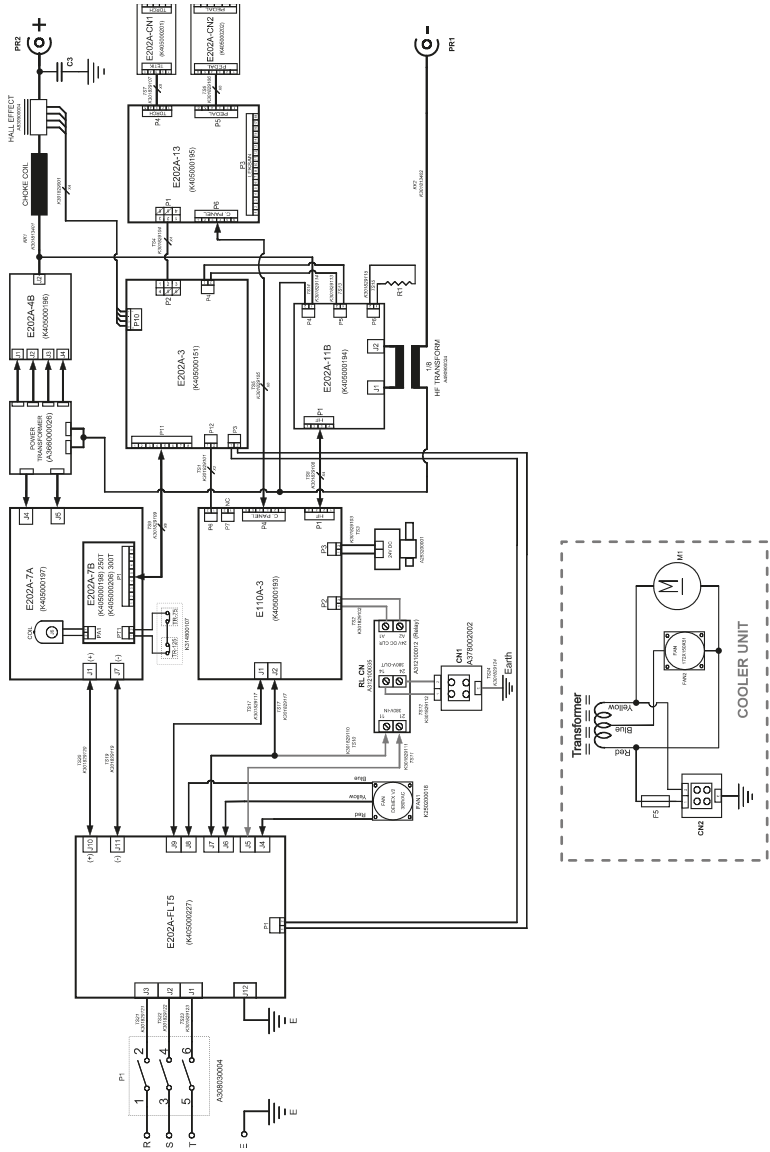
ID 300 T DC

FR



FR

ID 300 TW DC



INFORMATION PRODUIT

Modèle

Numéro de série

FABRICANT

Nom

MAGMA MEKATRONİK MAKİNE SANAYİ VE TİCARET A.Ş.

Adresse

Organize Sanayi Bölgesi 5. Kısım MANİSA

Téléphone / Courriel

+90 236 226 27 00 / info@magmaweld.com

INFORMATIONS D'ACHAT

Nom du revendeur

Ville / Pays

Téléphone / Courriel

Date d'achat

INFORMATIONS CLIENT

Nom de l'entreprise

Ville / Pays

Téléphone / Courriel

Nom du contact

INFORMATIONS SUR LA MISE EN ROUTE (le cas échéant)Nom de l'entreprise de la
mise en route

Nom du technicien

Date de la mise en route
(Date de début de garantie)

Veuillez visiter notre site web www.magmaweld.fr/conditions-de-garantie/wt
pour les conditions de garantie.

 **СОДЕРЖАНИЕ**

	ПРАВИЛА ТЕХНИКИ БЕЗОПАСНОСТИ	66
1	ТЕХНИЧЕСКАЯ ИНФОРМАЦИЯ	
1.1	Общее описание	73
1.2	Комплектующие сварочного аппарата	73
1.3	Этикетка продукта	75
1.4	Технические характеристики	76
1.5	Принадлежности	77
2	ИНФОРМАЦИЯ ПО УСТАНОВКЕ И НАСТРОЙКЕ	
2.1	Контроль доставки	78
2.2	Рекомендации по установке и эксплуатации	78
2.3	Подсоединение электрической розетки	79
2.4	Подключение к сети	79
2.5	Соединения для сварки TIG	79
2.5.1	Соединения горелки	80
2.5.2	Газовые соединения	80
2.5.3	Штыревые соединения системы педаль-триггер	80
2.5.4	Подсоединение клемм заземления	81
2.5.5	Установка расходных деталей горелки	81
2.6	Соединения для сварки покрытым электродом	82
2.7	Блок водяного охлаждения (для моделей с водяным охлаждением)	83
3	ИНФОРМАЦИЯ ПО ЭКСПЛУАТАЦИИ	
3.1	Интерфейс пользователя	84
3.2	Цикл TIG	86
3.3	Структура меню	86
3.3.1	Процесс сварки TIG	86
3.3.2	Использование Режимов TIG-Сварки	87
3.3.3	Метод Сварки Покрытым Электродом	88
3.4	Информация о потреблении	88
4	ТЕХОБСЛУЖИВАНИЕ И УСТРАНЕНИЕ НЕИСПРАВНОСТЕЙ	
4.1	Техобслуживание	89
4.2	Непериодическое Техобслуживание	90
4.3	Коды неисправностей	90
5	ПРИЛОЖЕНИЯ	
5.1	Список запасных частей	91
5.2	Схемы подключения	92

ПРАВИЛА ТЕХНИКИ БЕЗОПАСНОСТИ

Соблюдайте все правила техники безопасности, указанные в этом руководстве!

Описание сведений по технике безопасности



- Знаки по технике безопасности, указанные в руководстве, используются для определения потенциальных источников опасности.
- При размещении какого-либо знака по технике безопасности в этом руководстве его следует понимать как указание на наличие риска телесных повреждений и во избежание потенциальной опасности внимательно ознакомиться с предоставленными далее пояснениями.
- Владелец оборудования несёт ответственность за предотвращение доступа посторонних лиц к оборудованию.
- Лица, осуществляющие эксплуатацию оборудования, должны иметь опыт или пройти полную подготовку по вопросу выполнения сварочных сварка / резка; перед работой на оборудовании ознакомьтесь с руководством по эксплуатации и соблюдайте инструкции по технике безопасности.

Описание знаков по технике безопасности

ВНИМАНИЕ



Указывает на потенциально опасную ситуацию, которая может привести к травме или повреждению. Несоблюдение этой меры предосторожности может привести к травме или потере/повреждению имущества.



ВАЖНО

Указывает на информацию и предупреждения, касающиеся эксплуатации.



ОПАСНОСТЬ

Указывает на серьёзную опасность. В случае непринятия мер может привести к смерти или серьёзным травмам.

Понимание предупреждений по технике безопасности



- Внимательно прочитайте руководство по эксплуатации, а также ознакомьтесь с маркировкой (ярлыком) и предупреждениями по технике безопасности, размещёнными на оборудовании.
- Убедитесь, что предупреждающая маркировка находится в надлежащем состоянии. Замените отсутствующие и повреждённые ярлыки.
- Ознакомьтесь со способом эксплуатации оборудования и правильными методами управления оборудованием.
- Осуществляйте эксплуатацию вашего оборудования в соответствующей одежде.
- Несоответствующие изменения, проводимые на вашем оборудовании, негативно скажутся на безопасной эксплуатации и сроке службы оборудования.
- Производитель не несёт ответственности за какие-либо последствия, возникающие в результате эксплуатации устройства за пределами вышеуказанных условий.

Поражение электротоком может привести к летальному исходу



Убедитесь, что процедуры установки соответствуют национальным электрическим стандартам и иным соответствующим нормам, а также обеспечьте установку оборудования компетентными лицами.

- Пользуйтесь сухими и неповреждёнными изолированными перчатками и рабочим фартуком. Запрещается использовать мокрые или повреждённые перчатки и рабочие фартуки.
- Носите огнестойкую защитную одежду, чтобы избежать ожогов. Одежда, используемая оператором, должна защищать от искр, брызг и излучения дуги.
- Не работайте в одиночку. В случае опасности убедитесь, что у вас есть помощник на рабочем месте.
- Не касайтесь электрода голыми руками. Не допускайте контакта держателя электрода или электрода с другими людьми или заземлёнными предметами.
- Никогда не прикасайтесь к частям, которые разносят электричество.
- Не прикасайтесь к электроду при контакте с электродом, подключённым к рабочей поверхности, полу или другому оборудованию.

- Вы можете защитить себя от возможных поражений электрическим током, изолировав себя от рабочей поверхности и пола. Используйте сухой, неповрежденный, невоспламеняющийся электроизоляционный материал таких размеров, чтобы он был пригодным для предотвращения контакта оператора с рабочей поверхностью.
- Не подключайте более одного электрода к держателю электрода.
- Подсоедините зажим заземления к заготовке или рабочему столу как можно ближе, чтобы обеспечить хороший контакт металла с металлом.
- Проверьте горелку перед работой со сварочным аппаратом. Убедитесь, что горелка и его кабели в хорошем состоянии. Обязательно замените поврежденную изношенную горелку.
- Не касайтесь держателей электродов, подключенных к двум сварочным аппаратам одновременно, так как будет присутствовать двойное напряжение холостого хода.
- Держите аппарат выключенным и отсоедините кабели, когда она не используется.
- Перед ремонтом машины отключите все электрические соединения и / или разъемы или выключите машину.
- Будьте осторожны при использовании длинного сетевого кабеля.
- Убедитесь, что все соединения чистые и сухие.
- Следите за тем, чтобы кабели были сухими, чистыми и обезжиренными, а также защищенными от горячего металла и искр.
- Оголенная проводка может убить. Часто проверяйте все кабели на предмет возможных повреждений. Если обнаружен поврежденный или неизолированный кабель, немедленно отремонтируйте или замените его.
- Если зажим заземления не подключен к заготовке, изолируйте его, чтобы предотвратить контакт с любым металлическим предметом.
- Убедитесь, что заземление линии питания подключено правильно.
- Не используйте источник переменного тока во влажных местах, сырых или перегруженных местах, а также в местах, где существует опасность падения.
- Используйте источник переменного тока ТОЛЬКО, если это необходимо для процесса сварки.
- Если требуется источник переменного тока, используйте дистанционное управление источником, если оно имеется на устройстве.

Дополнительные меры предосторожности требуются при наличии любого из следующих электрически опасных условий:

- во влажных местах или в мокрой одежде,
- на металлических конструкциях, таких как полы, решетки или строительные леса,
- когда вы находитесь в стесненном положении, например, сидя, на коленях или лежа,
- когда существует высокий риск неизбежного или случайного контакта с заготовкой или землей.

Для этих условий используйте следующее оборудование:

- Полуавтоматический аппарат для сварки MIG постоянного напряжения (CV),
- Ручной сварочный аппарат MMA постоянного тока,
- Сварочный аппарат постоянного или переменного тока с пониженным напряжением холостого хода (VRD), если имеется.

Процедуры при поражении электрическим током



- Отключите электричество.
- Используйте непроводящий материал, например сухую древесину, чтобы освободить пострадавшего от контакта с токоведущими частями или проводами.
- Позвоните в службу экстренной помощи.

Если у вас есть обучение оказанию первой помощи;

- Если пострадавший не дышит, проведите сердечно-легочную реанимацию (СЛР) сразу после разрыва контакта с источником электричества. Продолжайте СЛР (массаж сердца) до тех пор, пока не начнется дыхание или пока не придет помощь.
- Если имеется автоматический электронный дефибрилятор (AED), используйте его в соответствии с инструкциями.
- Относитесь к электрическому ожогу как к термическому ожогу, прикладывая стерильные холодные (ледяные) компрессы. Избегайте загрязнения и накройте чистой сухой повязкой.

Движущиеся части могут привести к телесным повреждениям



- Не приближайтесь к движущимся объектам.
- Закрывайте и запирайте все крышки, панели, дверцы и т.п. защитные приспособления оборудования и устройств.
- Носите ботинки с металлическим носком на случай падения тяжелых предметов.

Дым и газы могут нанести вред вашему здоровью



Во время выполнения сварки / резки и резки чрезвычайно опасно вдыхать дым и газ в течение длительного времени.

- Жжение и раздражение глаз, носа и горла указывают на недостаточность вентиляции. В этом случае необходимо незамедлительно улучшить уровень вентиляции и, если проблема не устранена, остановить сварку / резку.
- Предусмотрите на рабочем участке систему естественной или искусственной вентиляции.
- На участках выполнения сварки / резки или резки используйте соответствующую систему удаления дыма. При необходимости установите систему, которая обеспечит вывод дыма и газов, накапливающихся в цехе в целом. Во избежание загрязнения окружающей среды во время выброса газов используйте соответствующую систему фильтрации.
- При проведении работ в ограниченном пространстве или при выполнении сварки / резки материалов с покрытием из свинца, бериллия, кадмия, цинка, а также окрашенных материалов, помимо вышеуказанных мер предосторожности, используйте маски, обеспечивающие подачу свежего воздуха.
- Если газовые баллоны сгруппированы в отдельной зоне убедитесь в наличии хорошей вентиляции в этом помещении; закрывайте главные клапаны по окончании использования газовых баллонов, проверяйте баллоны на предмет утечки газа.
- Защитные газы (аргон и т.п.) плотнее воздуха и при использовании в помещении могут попадать в дыхательные пути вместо воздуха. Это опасно для вашего здоровья.
- Не проводите сварочные работы при наличии паров хлорированных углеводородов, выделяющихся во время смазочных и покрасочных работ.
- Некоторые сварные / вырезанные детали требуют специальной вентиляции. Следует внимательно прочитать правила безопасности продуктов, требующих специальной вентиляции. В случаях, когда требуется противогаз, следует надеть подходящий противогаз.

Излучение сварочной дуги может нанести вред вашим глазам



- Для защиты глаз и лица используйте соответствующую защитную маску и пригодный для маски стеклянный фильтр.
- Защищайте от этого излучения также другие части тела (руки, шею, уши и т.д.) соответствующей защитной одеждой.
- Для предупреждения возникновения у окружающих повреждений от воздействия сварочной дуги и горячих металлов, оградите ваш рабочий участок огнестойкими экранами высотой на уровне глаз и повесьте предупреждающие знаки.
- Оборудование не предназначено для нагревания замёрзших труб. Проведение таких работ сварочным аппаратом может привести к взрыву, пожару или повреждению вашего оборудования.

Искры и разбрызгивающиеся частицы могут нанести повреждения глазам



- При выполнении таких работ, как сварка, шлифовка или зачистка поверхности, могут образоваться искры и происходить разбрызгивание металлических частиц. Для предупреждения телесных повреждений надевайте под маску утверждённые к применению защитные рабочие очки с боковыми щитками.

Горячие детали могут привести к тяжёлым ожогам



- Не прикасайтесь к горячим деталям голыми руками.
- Перед работой с деталями оборудования подождите некоторое время, пока они остынут.
- При необходимости контакта с горячими деталями, используйте соответствующие инструменты, теплоизоляционные сварочные перчатки и огнеупорную одежду.

Повышенный Уровень Шума Может Нанести Вред Слуху



- Шум, выделяемый некоторым оборудованием и работами, может нанести вред слуху.
- При повышенном уровне шума используйте утверждённые к применению защитные наушники.

Сварочная проволока может нанести телесные повреждения



- При разматывании катушки сварочной проволоки не направляйте горелку на какую-либо часть тела, а также на других людей или какие-либо металлические предметы.
- При разматывании вручную катушки сварочной проволоки, особенно, небольшого диаметра, проволока может выскочить из ваших рук, как пружина, и травмировать вас или окружающих, поэтому при выполнении этих работ особое внимание уделите защите глаз и лица.

Сварка может привести к пожарам и взрывам



- Запрещается производить сварку вблизи легковоспламеняющихся материалов. Это может привести к пожару или взрыву.
- Перед проведением сварочных работ удалите эти предметы с участка или накройте их защитными покрытиями для предупреждения возгораний.
- На этих участках применяются специальные национальные и международные правила.

- Не производите сварку и резку полностью закрытых труб или трубок.
- Перед выполнением сварка / резка труб и закрытых емкостей откройте их, полностью опорожните, проветрите и очистите. Соблюдайте максимальную осторожность при выполнении сварка / резка на таких участках.
- Не производите сварку опорожнённых труб и трубок, которые ранее содержали вещества, способные вызвать взрыв, пожар или другие реакции.
- Сварочное оборудование имеет свойство нагреваться. Поэтому не размещайте его на легко воспламеняемых или легко повреждаемых поверхностях!

- Сварочные искры могут привести к возникновению пожара. По этой причине обеспечьте наличие в легко доступных для вас местах таких материалов, как огнетушители, вода и песок.
- Используйте обратные клапаны, газовые регуляторы и клапаны в сетях горючих, взрывоопасных газов и сжатого газа.

Выполнение технического обслуживания оборудования устройств некомпетентными лицами может привести к телесным повреждениям



- Запрещается привлекать некомпетентных лиц к ремонту оборудования. Ошибки, которые могут быть допущены при нарушении этого требования, могут привести к серьёзным травмам или летальному исходу.
- Элементы газовой сети работают под давлением; в результате манипуляций, производимых некомпетентными лицами, могут возникнуть взрывы, и пользователи могут получить серьёзные травмы.
- Рекомендуется производить обслуживание оборудования и его периферийных устройств не реже одного раза в год.

Сварка / Резка на небольших участках и участках с ограниченным пространством



- Выполняйте сварку/резку на небольших участках и участках с ограниченным пространством в присутствии ещё одного человека.
- По мере возможности избегайте проведения сварочных работ/резки в ограниченных пространствах.

Несоблюдение необходимых мер предосторожности при перемещении оборудования может привести к несчастным случаям



- При перемещении оборудования соблюдайте все необходимые меры предосторожности. Участки, на которых будет производиться перемещение, части, подлежащие перемещению, а также физическое состояние и здоровье людей, вовлечённых в процесс перемещении оборудования, должны соответствовать требованиям процедуры перемещения и транспортировки.
- Некоторое оборудование имеет большую массу, поэтому при перемещении убедитесь в принятии всех мер предосторожности по охране окружающей среды.
- Если сварочный аппарат предполагается использовать на платформе, необходимо убедиться в том, что такая платформа имеет соответствующие пределы нагрузки.
- При перемещении оборудования при помощи какого-либо механизма (тележка, вилочный погрузчик и пр.) убедитесь в надлежащем состоянии точек крепления механизма и оборудования (крепление подвесок, ремней для перемещения, болтов, гаек, колёс и т.п.).
- При выполнении перемещения вручную убедитесь в надлежащем состоянии приспособлений оборудования (подвески, ремни для перемещения и т.п.) и их креплений.

- С целью обеспечения необходимых требований для перемещения соблюдайте правила Международной организации труда в отношении веса перемещаемого оборудования, а также нормативы по перемещению оборудования, действующее в вашей стране.
- При перемещении источника питания используйте специальные приспособления (держатели или проушины). Запрещается перемещать оборудование, удерживая его за горелку, кабель или шланги. Перемещение газовых баллонов осуществляйте отдельно от всего оборудования.
- Перед перемещением сварочного и режущего оборудования демонтируйте все промежуточные соединения, осуществляйте поднятие и перемещение небольших частей посредством ручек, а более крупных частей с помощью соответствующих приспособлений (проушины) или вилочных погрузчиков.

Падение частей оборудования может привести к телесным повреждениям



Неправильное расположение источника питания или иного оборудования может привести к серьёзным травмам и повреждению имущества.

- Во избежание падений и опрокидывания вашего оборудование его необходимо разместить на основании (полу) или платформе с максимальным уклоном 10°. Это предупредит воспрепятствование подаче материала и риск застопоривания в кабелях и шлангах; предпочитайте для установки оборудования неподвижные широкие, не запылённые, легко вентилируемые участки. Во избежание опрокидывания газовых баллонов закрепите их, при наличии, на пригодной для баллонов платформе, находящейся на оборудовании, а при стационарном использовании, зафиксируйте баллон надёжным способом, прикрепив его к стене.
- Обеспечьте операторам лёгкий доступ к настройкам и подключениям на оборудовании.

Чрезмерная эксплуатация приводит к перегреву оборудования



- Обеспечьте остывание оборудования в соответствии с рабочим циклом.
- Перед повторным началом сварочных работ уменьшите коэффициент тока или загрузку рабочего цикла.
- Не закрывайте вентиляционные отверстия оборудования.
- Не устанавливайте фильтры в вентиляционные отверстия оборудования без разрешения производителя.

Дуговая сварка может вызвать электромагнитные помехи



- Данное устройство относится к группе 2, класс А в испытаниях электромагнитной совместимости (ЭМС) в соответствии со стандартом TS EN 55011.
- Данное устройства класса А не предназначено для эксплуатации в жилых помещениях с подачей электроэнергии от низковольтной сети. Возможны затруднения в достижении электромагнитной совместимости в связи с радиочастотными помехами, передача и распространение которых имеют место на таких участках.



Это устройство не соответствует стандарту IEC61000-3-12. При необходимости подключения к низковольтной сети, используемой в бытовых условиях, специалист, который будет осуществлять электрическое подключение, или лицо, которое будет эксплуатировать оборудование, должны быть осведомлены в вопросе особенностей подключения оборудования, в этом случае пользователь несёт ответственность за проведение таких работ.

- Убедитесь, что рабочая зона соответствует электромагнитной совместимости (ЭМС). Электромагнитные помехи во время сварка / резка или резки могут вызвать нежелательные воздействия на ваши электронные устройства в вашей сети, и пользователь несёт ответственность за какие-либо помехи, которые могут возникнуть во время проведения работ.
- При возникновении каких-либо помех, могут быть приняты дополнительные меры для обеспечения совместимости в виде использования коротких кабелей, экранированных кабелей, перемещения сварочного аппарата в другое место, отдаления кабеля от оборудования и/или участка, попавшего под воздействие использования фильтров или защиты рабочего участка в аспекте ЭМС.
- Во избежание возможных повреждений в связи с нарушением ЭМС выполняйте сварочные работы как можно дальше (100м) от вашего чувствительного электронного оборудования.
- Убедитесь в установке и размещении вашего сварочного аппарата или газового резака в соответствии с руководством по эксплуатации.

**Оценка
электромагнитной
совместимости
рабочего
участка**



Согласно пункту 5.2 стандарта IEC 60974-9,

Перед установкой сварочного и режущего оборудования уполномоченное лицо предприятия и/ или пользователь должны произвести осмотр участка на предмет возможных электромагнитных помех на прилегающей территории. Необходимо обратить внимание на следующие вопросы:

- a) наличие других кабелей питания, кабелей управления, сигнальных и телефонных кабелей сверху, снизу и рядом со сварочным аппаратом и оборудованием;
- b) наличие радио- и телевизионных передатчиков и приемников;
- c) наличие компьютерного и иного оборудования, используемого для управления;
- d) наличие критического оборудования для обеспечения безопасности, например для защиты промышленного оборудования;
- e) наличие медицинских аппаратов (например, кардиостимуляторов и слуховых аппаратов), используемых населением на прилегающей территории;
- f) наличие оборудования, используемого для измерения или калибровки;
- g) невосприимчивость иного оборудования, находящегося на прилегающей территории. Пользователь должен убедиться, что иное оборудование, используемое на прилегающей территории, является совместимым. Это может потребовать дополнительных мер защиты;
- h) Границы рассматриваемого участка могут быть расширены в соответствии с размерами прилегающей территории, конструкцией зданий и иными работами, выполняемыми в здании, с учётом времени, в течение которого предполагается производить сварочные или иные работы в течение дня.

В дополнение к оценке участка также может потребоваться оценка мест установки устройств с целью устранения нарушающего совместимость воздействия. При необходимости, для подтверждения эффективности мер по снижению воздействия также можно провести измерения на месте. (Источник: МЭК 60974-9).

**Методы снижения
помех**



- Устройство должно быть подключено к источнику питания компетентным специалистом в соответствии с рекомендациями. При возникновении помех могут применяться дополнительные меры, такие как фильтрация сети. Электропитание оборудования для дуговой сварка / резка с фиксированным креплением должно осуществляться при помощи кабеля, проложенного через металлическую трубу или эквивалентного экранированного кабеля. Необходимо подключить экран и корпус источника питания, и между этими двумя конструкциями должен быть обеспечен хороший электрический контакт.
- Необходимо выполнять рекомендуемое плановое обслуживание устройства. При эксплуатации устройства должны быть закрыты и/или заперты все крышки корпуса оборудования. Без письменного разрешения производителя в устройство запрещается вносить какие-либо изменения или модификации, отличные от стандартных настроек. В противном случае вся ответственность за какие-либо последствия возлагается на пользователя.
- Сварочные кабели должны быть максимально короткими. Кабели должны выходить из пола рабочего участка бок о бок. Наматывание сварочных кабелей запрещено.
- Во время сварки / резки в оборудовании генерируется магнитное поле. Это может привести к притяжению оборудования металлическими предметами.
Для предотвращения этого убедитесь в размещении металлических материалов на безопасном расстоянии или в надёжной фиксации таких материалов. Оператор должен быть изолирован от всех таких взаимосвязанных металлических материалов.
- В случае отсутствия заземления обрабатываемого объекта или изделия, по соображениям электрической безопасности или в связи с его габаритными размерами и положением (например, при изготовлении корпуса судна или стальной конструкции), подключение между обрабатываемым объектом или изделием и землёй в некоторых случаях может снизить выбросы, и необходимо помнить, что заземление обрабатываемого объекта или изделия может привести к телесным повреждениям пользователя или неисправностям иного электрического оборудования, находящегося на прилегающей территории. При необходимости, заземление обрабатываемого объекта или изделия может быть выполнено прямым способом, но в некоторых странах, в которых прямое заземление запрещено, подключение может быть создано при помощи соответствующих элементов ёмкости в соответствии с местными нормами и правилами.
- Экранирование и защита других устройств и кабелей на рабочем участке может предотвратить возникновение воздействий, нарушающих совместимость. Для некоторых случаев может рассматриваться полное экранирование участка сварки / резки.

**Дуговая сварка
может создавать
электромагнитное
поле (ЭМП)**



Электрический ток, проходящий через какой-либо проводник, создаёт локальные электрические и магнитные поля (ЭМП). Все сварщики должны применять следующие процедуры с целью минимизации риска воздействия ЭМП от сварочной цепи:

- Для уменьшения магнитного поля сварочные кабели должны быть объединены и как можно более надёжно закреплены с помощью крепёжных материалов (ленты, кабельные стяжки и т.п.).
- Тело и голова сварщика/рабочего должны находиться как можно дальше от сварочного аппарата и кабелей.
- Сварочные и электрические кабели ни в коем случае нельзя наматывать на корпус аппарата.
- Тело сварщика не должно находиться между сварочными кабелями. Оба сварочных кабеля должны находиться вдали от тела сварщика, рядом друг с другом.
- Обратный кабель должен быть подключён к обрабатываемому объекту или изделию максимально близко к участку сварки / резки.
- Запрещается опираться, садиться на источник питания сварочного аппарата, а также работать в непосредственной близости к нему.
- Запрещается производить сварки / резки во время перемещения устройства подачи сварочной проволоки или источника питания сварочного аппарата.

ЭМП также может нарушать работу медицинских имплантатов (кардиостимуляторы и т.п.). В виду этого для людей с медицинскими имплантатами должны быть приняты отдельные меры предосторожности. Например, введение ограничений на доступ для пересекающих дорогу людей, а также оценка индивидуальных рисков для сварщиков. Оценка рисков и выдача рекомендаций для пользователей с медицинскими имплантатами должна выполняться медицинским работником.

Защита



- Не подвергайте оборудование воздействию дождя, избегайте попадания на оборудование брызг воды или пара под давлением.

Энергоэффективность



- Выберите метод сварка / резка и сварочный аппарат, соответствующий запланированным сварочным работам.
- Установите параметры сварочного тока и/или напряжения, соответствующие материалу, подлежащему сварки / резки, а также его толщине.
- При длительном простое сварочного оборудования выключите оборудование после его охлаждения вентилятором. Наше оборудование (наша продукция), оснащённое вентилятором с интеллектуальным управлением, отключается автоматически.

**Процедура утилизации
отходов**



- Это устройство не является бытовым мусором. Утилизация устройства должна осуществляться в рамках национального законодательства в соответствии с директивой Европейского Союза.
- Получите информацию об утилизации отходов вашего использованного оборудования у вашего дилера и компетентных лиц.

ФОРМА ГАРАНТИИ



Пожалуйста, посетите наш сайт www.magmaweld.ru/гарантийный-малон/wr для формы гарантии.

ТЕХНИЧЕСКАЯ ИНФОРМАЦИЯ

1.1 Общее описание

ID 300 T DC и ID 300 TW DC инверторного типа, трехфазный сварочный аппарат TIG и MMA на постоянном токе. Он предназначен для сварки металлов TIG и сварки стержневыми электродами диаметром до 5 мм. Он оснащен передовыми профессиональными средствами управления TIG, такими как высокочастотный запуск, подъем с касанием, предварительная подача газа, подъем по склону, спуск по склону, пост-газ и заполнение кратера. В режиме MMA доступны рутитовый, основной и целлюлозный варианты. В режиме TIG 10 рабочих программ могут быть сохранены в памяти и могут быть выбраны в соответствии с заданием, что дает возможность восстановить точно такой же сварной шов. Все параметры сварки можно регулировать с панели управления и контролировать с помощью цифровых дисплеев. Его также можно использовать с генератором, который будет обеспечивать соответствующую мощность и частоту. Его также можно использовать со сварочными кабелями длиной до 25 м. Машина имеет вентиляторное охлаждение и термическую защиту от перегрева.

1.2 Комплектующие сварочного аппарата

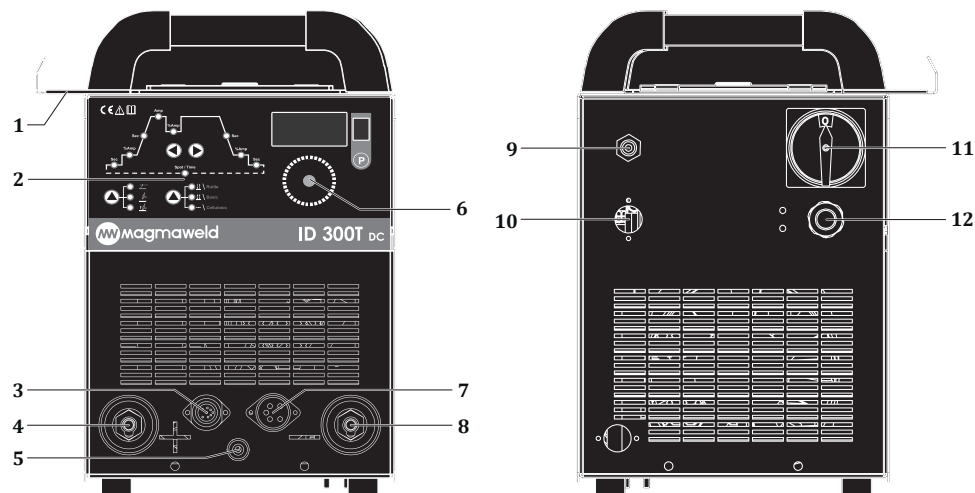


Рисунок 1 : ID 300 T DC

- | | |
|---|---|
| 1- Ремень горелки | 7- Подключения управления горелкой |
| 2- Панель управления | 8- Гнездо кабеля заземления и сварочного кабеля (+) |
| 3- Подключения педали управления | 9- Вход газа |
| 4- Гнездо кабеля заземления и сварочного кабеля (+) | 10- Вход дистанционного подключения |
| 5- Выход газа | 11- Выключатель питания |
| 6- Регулировочный горшок | 12- Вход линейного кабеля |

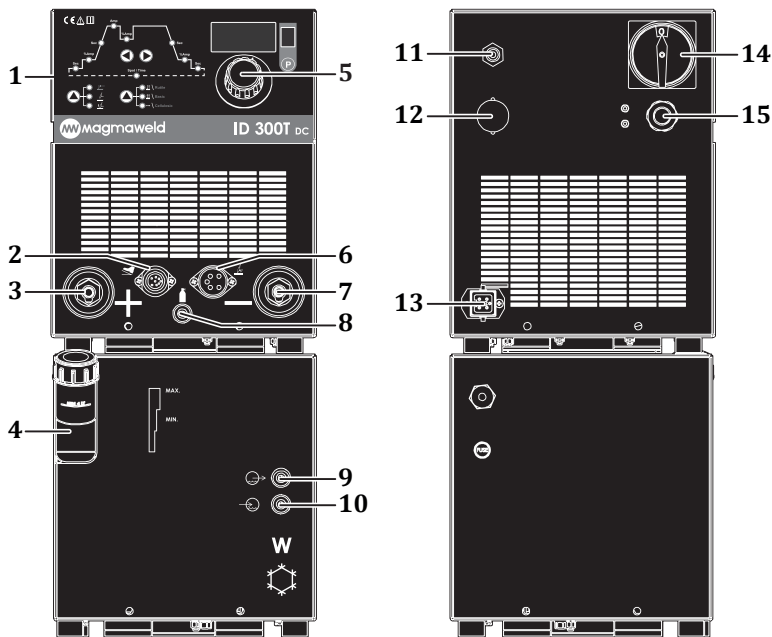


Рисунок 2 : ID 300 TW DC

- | | |
|--|---|
| 1- Панель управления | 9- Вход горячей воды в водяной агрегат |
| 2- Гнездо управления педалью | 10- Выход холодной воды из водного агрегата |
| 3- Гнездо сварочного и заземляющего кабеля (+) | 11- Вход газа |
| 4- Водяной блок | 12- Вход удаленного подключения |
| 5- Потенциал регулировки параметров | 13- Энергетическая розетка водного агрегата |
| 6- Гнездо управления спусковым крючком | 14- Переключатель Вкл. / Выкл. |
| 7- Гнездо сварочного и заземляющего кабеля (-) | 15- линейный кабельный ввод |
| 8- Выход газа | |

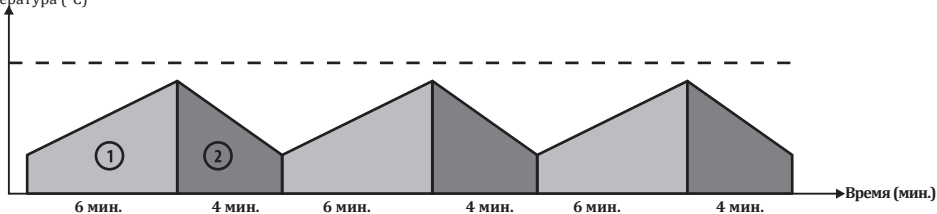
1.3 Этикетка продукта

MAGMA MEKATRONIK MAKİNE SAN. VE TİC. A.Ş. Organize Sanayi Bölgesi 5.Kısım Manisa-TÜRKİYE				
ID 300 T DC		S/N:		
		EN 60974-1 60974-10 Class A		
	---	5A / 10.2V - 300A / 22V		
	U ₀ =85V	X _(40C°)	30%	60%
		I ₂	300A	212A
		U ₂	22V	18.5V
	U _i =400V	I _{1max} =17.8A	I _{1eff} =9.8A	
	---	5A / 20.2V - 300A / 32V		
	U ₀ =85V	X _(40C°)	30%	60%
		I ₂	300A	212A
		U ₂	32V	28.5V
	U _i =400V	I _{1max} =23.3A	I _{1eff} =12.8A	
IP21S				

	Трёхфазный Трансформатор - Выпрямитель	X	Рабочий цикл
	TIG - Сварка	U ₀	Напряжение работы без нагрузки
	MMA - Сварка	U ₁	Напряжение и частота сети
	Постоянный Ток	U ₂	Номинальное напряжение сварочного тока
	вертикальный характеристика	I ₁	Номинальное потребление тока сети
	Сетевой Вход-3-Фазный Переменный Ток	I ₂	Номинальный сварочный ток
	Пригоден Для Работы В Опасных Условиях	S ₁	Потребляемая мощность сети
S/N	Серийный номер	IP21S	класс защиты

• S / N (Серийный номер) Описание

ID аппарата	Продукция				Порядковый номер				
	Год	Неделя			номер				
X X X X	X X	X X	X X	X X	X X X X X				
Группа аппаратов	Порядковый номер аппаратов			Порядковый номер машины, произведенной в этом году					

Рабочий цикл
Температура (°C)

Согласно стандарту EN 60974-1, продолжительность рабочего цикла включает период времени 10 минут. Например, если машина, указанная как 250А при% 60, должна работать при 250А, машина может выполнять сварку / резку без перерыва в первые 6 минут из 10-минутного периода (зона 1). Тем не менее, следующие 4 минуты следует оставить без нагрузки для охлаждения машины (зона 2).

1.4 Технические характеристики

ТЕХНИЧЕСКИЕ ХАРАКТЕРИСТИКИ	Ед. изм.	ID 300 T DC ID 300 TW DC
Сетевое напряжение (3 фаза - 50-60 Гц)	В	400
Сила тока сети (ММА)	кВА	16.1 (%30)
Сила тока сети (TIG)	кВА	12.3 (%30)
Эффективность источника питания	%	MMA 86,74 / TIG 85,63
Потребляемая мощность в режиме ожидания	W	29
Диапазон регулировки сварочного тока	А пост.тока	5 - 300
Номинальный сварочный ток	А пост.тока	300 (%30)
Напряжение открытого контура сварки	В пост.тока	85
Диапазон диаметров сварочных электродов	мм	1.60 - 5.00
Диаметр вольфрамового электрода	мм	1.00 - 2.40
Размеры (ДхШхВ)	мм	598 x 252 x 661
Вес	кг	22.5
Класс защиты		IP 21S

1.5 Принадлежности

СТАНДАРТНЫЕ АКСЕССУАРЫ	КОЛ-ВО	ID 300 T DC ID 300 TW DC
Зажим и кабель заземления	1	7905212503 (25 mm ² - 3 m)
Газовый шланг	1	7907000002
Lava TIG 26 (4 м) Горелка TIG с воздушным охлаждением *	1	7110018004
Lava TIG 18W (4 м) Горелка TIG с водяным охлаждением *	1	7110038004

* Выбор горелки зависит от типа охлаждения машины.

ДОПОЛНИТЕЛЬНЫЕ АКСЕССУАРЫ	КОЛ-ВО	ID 300 T DC ID 300 TW DC
Зажим электрода и кабель	1	7906202503 (25 mm ² - 3 m)
Lava TIG 26 (8 м) Горелка TIG с воздушным охлаждением	1	7110018008
Lava TIG 18W (8 м) Горелка TIG с водяным охлаждением	1	7110038008
Блок водяного охлаждения (CST 60i)	1	7910005250
Ножная педаль (Вкл. / Выкл.)	1	7910000120
Ножная педаль (регулируемая по току)	1	7910000140
Инструменты управления горелкой (2 кнопки / 4 кнопки)	1	7910000003 / 7910000004
Транспортная тележка (4 колеса)	1	7910000200
Газовый регулятор (аргон)	1	7020001004
Набор принадлежностей TIG с воздушным охлаждением (Горелка + Регулятор)	1	7910000510
Набор принадлежностей для TIG с водяным охлаждением (Горелка + Регулятор)	1	7910000530

ИНФОРМАЦИЯ ПО УСТАНОВКЕ И НАСТРОЙКЕ

2.1 Контроль доставки

Убедитесь, что вместе со сварочным аппаратом доставлены все заказанные материалы. В случае отсутствия или повреждения какого-либо материала, немедленно свяжитесь с компанией, у которой был приобретен сварочный аппарат.

Стандартная комплектация сварочного аппарата содержит следующее:

- Сварочный аппарат и подключенный сетевой кабель.
- Гарантийный сертификат
- Руководство пользователя
- Зажим для заготовки и кабель
- Факел

В случае если во время получения аппарата будут выявлены повреждения, составьте протокол и сфотографируйте повреждения. Приложите протокол и фотографии к фотокопии накладной и известите транспортную компанию. В случае отсутствия ответа на ваше обращение в транспортную компанию, обратитесь в службу поддержки клиентов.

Символы и обозначения, установленные на сварочном аппарате:



Процесс сварки представляет опасность для человека и окружающих предметов. Выполнение сварки должно осуществляться в соответствующих условиях с принятием необходимых мер безопасности. Ответственность за сохранность и исправность сварочного аппарата, обеспечение необходимого оснащения возлагается на специалистов. Предупредите нахождение посторонних людей вблизи сварочного аппарата.



Данный сварочный аппарат не соответствует стандарту IEC 61000-3-12. В случае если сварочный аппарат будет подключён к сети низкого напряжения, используемого для электроснабжения жилых помещений, пользователь несёт полную ответственность за обеспечение выполнения работ подключения электрических соединений сварочного аппарата электротехником или пользователем аппарата, имеющим знания и навыки по вопросам подключения сварочного аппарата.



Будьте внимательны и строго соблюдайте все символы и предупреждения безопасности, установленные на сварочном аппарате и указанные в Руководстве по эксплуатации. Запрещается удалять этикетки, установленные на сварочном аппарате.



Решётки предназначены для обеспечения вентиляции внутренних частей сварочного аппарата. С целью обеспечения хорошего охлаждения, запрещается закрывать доступ к открытым частям аппарата и размещать инородные предметы внутрь корпуса устройства.

2.2 Рекомендации по установке и эксплуатации

- Для перемещения машины следует использовать подъемные кольца или вилочные погрузчики. Не поднимайте машину с газовым баллоном. При переноске портативных сварочных аппаратов вручную необходимо соблюдать правила техники безопасности и охраны труда. На рабочем месте должны быть приняты необходимые меры для обеспечения того, чтобы процесс транспортировки осуществлялся в максимально возможном соответствии с условиями охраны труда и техники безопасности. Меры предосторожности следует принимать в соответствии с характеристиками рабочей среды и требованиями работы. Установите машину на твердую, ровную и гладкую поверхность, где она не упадет и не опрокинется.
- При работе в среде с температурой воздуха выше 40°C, выполняйте работы на сварочном аппарате при более низком сварочном токе или при более низком уровне продолжительности включения.
- Избегайте сварки на открытом воздухе в дождь и ветер. Если в таких случаях сварка необходима, защитите зону сварки и сварочный аппарат шторами и навесами. При сварке в помещении используйте подходящую систему удаления дыма. Если существует опасность вдыхания сварочного дыма и газа в помещении, используйте дыхательный аппарат.
- При размещении машины убедитесь, что такие материалы, как стены, занавески и панели, не препятствуют легкому доступу к органам управления и соединениям машины.

- Соблюдайте нормативы рабочего цикла, указанные на этикетке продукта. Частое превышение продолжительности рабочего цикла может привести к повреждению машины и аннулированию гарантии.
- Используйте предохранитель, подходящий для вашей системы.
- Надежно подключите заземляющий провод как можно ближе к зоне сварки.
- Следите за тем, чтобы сварочный ток не протекал через оборудование, кроме сварочных кабелей.
- Сварочные кабели и сетевой кабель нельзя наматывать на корпус аппарата во время работы.
- Когда газовый баллон помещен на машину, немедленно зафиксируйте газовый баллон, связав цепь. Если вы не собираетесь ставить газовый баллон на машину, закрепите баллон на стене с помощью цепи.

2.3 Подсоединение электрической розетки



С целью обеспечения вашей безопасности, категорически запрещается использование сетевого кабеля без вилки.

- В связи с тем, что на заводах, стройплощадках и в цехах могут быть установлены различные виды розеток для подсоединения к сетевому электроснабжению, сетевой кабель поставляется без вилки. Установка вилки на сетевой кабель должна выполняться квалифицированным электриком в соответствии с имеющейся розеткой сетевого электроснабжения.
- Убедитесь, что сварочный аппарат имеет кабель заземления.
- После подключайте кабель к розетке сетевого электроснабжения непосредственно сразу после установки вилки на сетевой кабель.

2.4 Подключение к сети



Перед вставлением вилки сетевого кабеля в розетку сетевого электроснабжения убедитесь, что переключатель вкл./выкл. на сварочном аппарате установлен в положении "0".

- Во время подключения к сети сварочного аппарата необходимо получить техподдержку квалифицированных лиц (электриков и т.п.). Перед подключением сварочного аппарата к сети, в первую очередь, проверьте фазное напряжение. После подтверждения правильных значений, вставьте вилку сетевого кабеля в розетку сетевого электроснабжения.
- Включите сварочный аппарат, переключив переключатель вкл./выкл. в положение "1". Убедитесь, что загорелись индикаторы и светодиоды на панели управления и начал работать вентилятор охлаждения.
- Выключите машину, вернув выключатель в положение "0".

2.5 Соединения для сварки TIG



Перед подключением сварочного аппарата к сети, в первую очередь, проверьте наличие соответствующего напряжения сети. Перед вставлением вилки сетевого кабеля в розетку сетевого электроснабжения убедитесь, что переключатель вкл./выкл. на сварочном аппарате установлен в положении "0".

- Включите сварочный аппарат, переключив переключатель вкл./выкл. в положение "1", и проверьте включение светодиодов на панели управления и начало работы вентилятора охлаждения.

Рекомендуемый сварочный

Вольфрамовый электрод Диаметр (мм)	ток для TIG-сварки Сварочный ток
1.6	30-130
2.0	45-180
2.4	70-240

2.5.1 Соединения горелки

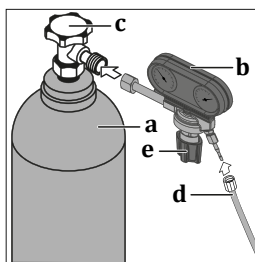
- Вставьте вилку горелки TIG в сварочный патрубок отрицательного полюса и затяните, повернув вправо. Присоедините разъем пускового курка резака, поставляемый с аппаратом, к тросам управления пусковым механизмом резака. Затем подключите разъем к разъему управления спусковым крючком.
- Подсоедините газовый шланг горелки к выходу газа.
- В моделях с водяным охлаждением подсоедините холодный "синий" шланг резака к выпускному отверстию для холодной воды на машине, а горячий "красный" шланг - к впускному отверстию для горячей воды на машине.

2.5.2 Газовые соединения

- Газовый баллон с аргоном (а) зафиксируйте при помощи цепи.
- С целью обеспечения безопасности и получения хороших результатов сварки, используйте регулятор расхода газа (b), соответствующий стандартам.
- С целью обеспечения удаления возможной пыли и частиц, откройте на некоторое время вентиль (c) газового баллона.
- Подключите регулятор расхода газа к газовому баллону, убедитесь, что гайка регулятора расхода газа полностью соответствует винтовой резьбе штуцера на выходе газа газового баллона.
- Подсоедините один конец газового шланга (d) к регулятору расхода газа, другой конец - к входному отверстию газа на задней панели сварочного аппарата и откройте вентиль на газовом баллоне.
- При помощи клапана регулятора давления (e) отрегулируйте расход газа.
- Убедитесь, что в местах соединения отсутствует утечка газа.



В этом сварочном аппарате можно использовать только цилиндры на 10 или 20 литров. Использование трубки большего размера может привести к опрокидыванию трубки и сварочного аппарата. Когда вы ставите баллон с газом на машину, немедленно закрепите цепь, чтобы зафиксировать баллон с газом. Если вы не будете ставить баллон с газом на машину, закрепите баллон на стене с помощью цепи.

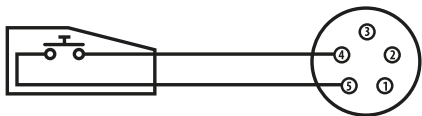


Диаметр электрода (мм)	Диаметр сопла (мм)	Сварочный ток (А пост.тока)	Расход газа (л/мин.)
1.0	6.3	30-70	6-8
1.6	9.5	30-150	6-8

Рисунок 3 : Газовые соединения

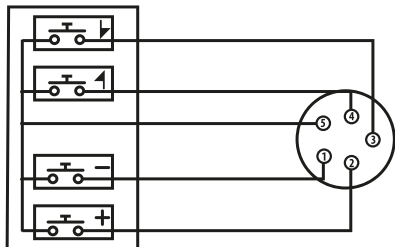
2.5.3 Штыревые соединения системы педаль-триггер

- Он должен быть подключен к гнезду управления спусковым крючком концами 4 и 5 на выходе.



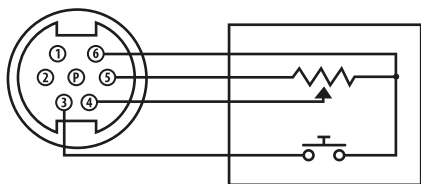
(1) Ориентиры указаны с учетом направления пайки хвостовой части кабельного соединения.

- Соединение TIG-горелки: Подсоединение выполняется согласно указанному на рисунке путем вставления 1-2-3-4-5 штырей в гнездо для штыревого соединения управления триггера.



(2) Ориентиры указаны с учетом направления пайки хвостовой части кабельного соединения.

- Соединение педали дистанционного управления: Подсоединение выполняется согласно указанному на рисунке путем вставления 3-4-5-6 штырей в гнездо для штыревого соединения педали.



(3) Ориентиры указаны с учётом направления пайки хвостовой части кабельного соединения.

2.5.4 Подсоединение клемм заземления

- Вилку (a) кабеля клеммы заземления вставьте в гнездо с положительным полюсом и хорошо зажмите, повернув вправо.
- Для улучшения качества сварки, клемму заземления (b) прочно подсоедините к рабочей заготовке как можно ближе к зоне сварки.

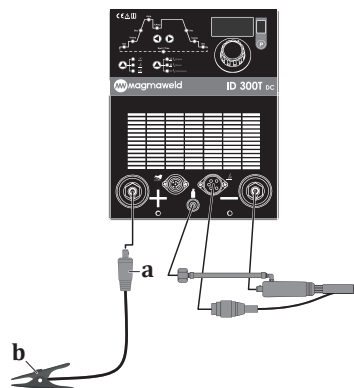


Рисунок 4 : Подсоединение клемм заземления

2.5.5 Установка расходных деталей горелки

- Керамическое газовое сопло (5) и вольфрамовый электрод (1) следует выбирать в зависимости от рабочего тока и формы рабочей заготовки. Соответственно, диаметры зажима (3) и держателя зажима (4) должны соответствовать диаметру вольфрамового электрода.
- Отсоедините зажимную цангу (2).

- Выньте из зажима электрода установленный электрод и установите новый вольфрамовый электрод соответствующего диаметра.
- Установите зажим электрода на горелку.
- Прочно зажмите зажимную цангу.

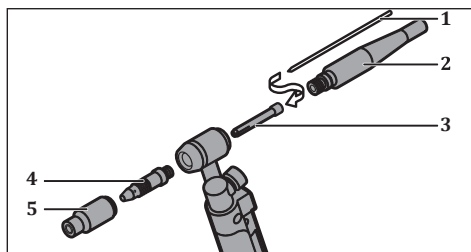


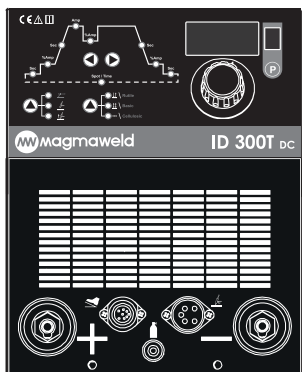
Рисунок 5 : Установка расходных деталей горелки

2.6 Соединения для сварки покрытым электродом

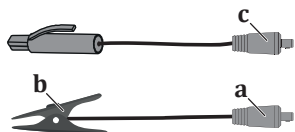


Перед подключением сварочного аппарата к сети, в первую очередь, проверьте наличие соответствующего напряжения сети. Перед вставлением вилки сетевого кабеля в розетку сетевого электроснабжения убедитесь, что переключатель вкл./выкл. на сварочном аппарате установлен в положении "0".

- Включите сварочный аппарат, переключив переключатель вкл./выкл. в положение "1", и проверьте включение светодиодов на панели управления и начало работы вентилятора охлаждения.
- Вставьте штекер кабеля зажима электрода (с) и штекер кабеля клеммы заземления (а) в гнезда сварочного и заземляющего кабелей в соответствии с используемым электродом и полярностью, рекомендованной изготовителем электрода.
- Для улучшения качества сварки, клемму заземления (b) прочно подсоедините к рабочей заготовке как можно ближе к зоне сварки.



Диаметр покрытого электрода (мм)	Рекомендуемый сварочный ток		
	Основной	Основной	Целлюлозный
2.0	40-60 А	-	-
2.5	60-90 А	60-90 А	60-100 А
3.25	100-140 А	100-130 А	70-130 А
4.0	140-180 А	140-180 А	120-170 А



2.7 Блок водяного охлаждения (для моделей с водяным охлаждением)

- Блок водяного охлаждения, используемый для охлаждения горелки, это замкнутая система, состоящая из радиатора, вентилятора, помпы бачка охлаждающей жидкости.

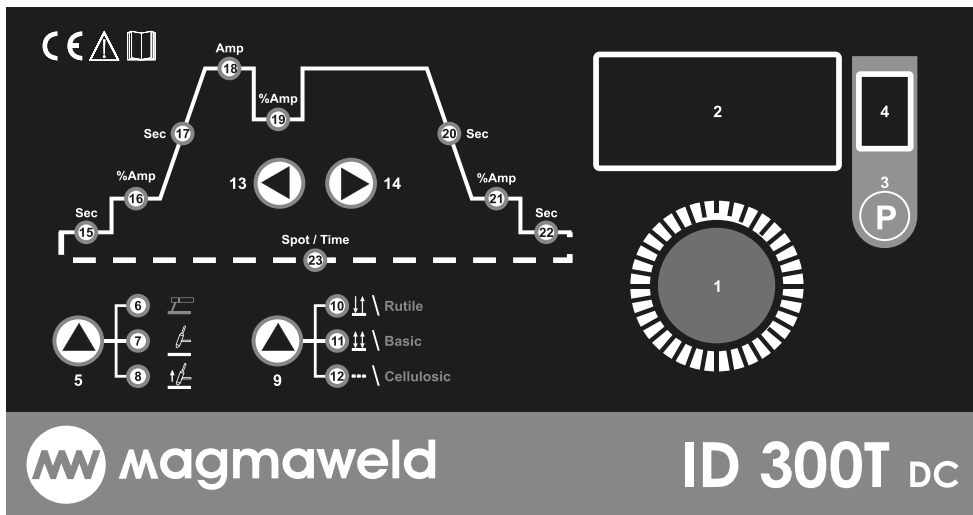
Если в вашем аппарате есть блок водяного охлаждения ;

- Подсоедините шланг холодной (синий) воды промежуточного блока к выходу холодной воды в системе водяного охлаждения, а шланг горячей (красный) воды к входу горячей воды в системе водяного охлаждения.
- Сварочные аппараты Magmaweld поставляются с охлаждающей жидкостью Magmaweld, которая обеспечивает наилучшую производительность. В случае отсутствия охлаждающей жидкости откройте крышку бачка охлаждающей жидкости и добавьте охлаждающую жидкость Magmaweld, подходящую для температуры рабочей среды. Уровень охлаждающей жидкости должен находиться в пределах минимальных и максимальных значений, указанных на передней панели агрегата.
- Нельзя добавлять другую охлаждающую жидкость или воду. Различные жидкие добавки могут вызывать химические реакции или разные проблемы.
- Magmaweld не несет ответственности за риски, которые могут возникнуть в случае добавления других жидкостей. Добавление другой охлаждающей жидкости или воды в охлаждающую жидкость Magmaweld аннулирует все гарантийные обязательства.
- Если требуется использовать охлаждающую жидкость другой марки, внутренняя часть бака охлаждающей жидкости должна быть полностью пустой и в ней не должно быть остатков или жидкости.
- Блоки водяного охлаждения не предназначены для использования в каких-либо иных аппаратах кроме сварочных аппаратов производства Magma Mekatronik Makine Sanayi ve Ticaret. A.Ş. Блоки водяного охлаждения не должны питаться от внешней подачи.

RU

ИНФОРМАЦИЯ ПО ЭКСПЛУАТАЦИИ

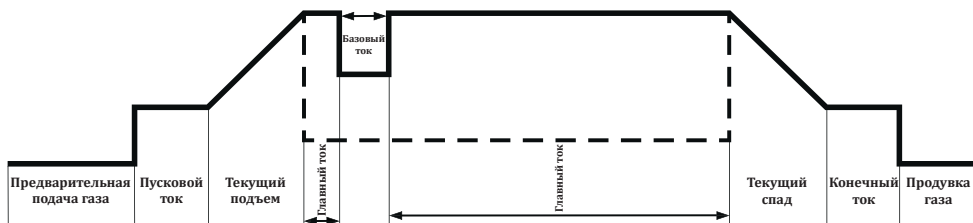
3.1 Интерфейс пользователя



1	<p>Потенциал регулировки параметров Он используется для установки желаемого значения параметров сварки.</p>
2	<p>Цифровой дисплей Он показывает числовое значение выбранного параметра сварки и текущее значение во время сварки. Он также показывает сообщение об ошибке в случае ошибки.</p>
3	<p>Кнопка выбора программы Он используется для выбора одной из 10 рабочих программ, охватывающих все настройки параметров в режимах TIG. Благодаря программам настроенные параметры сохраняются в памяти машины и могут использоваться для повторяющихся заданий, выбранных пользователем. Последние настройки, сделанные для выбранного номера программы, будут сохранены автоматически, никаких дополнительных действий для записи не требуется. Кроме того, пока он все еще находится в режимах TIG, он позволяет переключиться на настройку времени охлаждения при нажатии в течение 3 секунд.</p>
4	<p>Цифровой программный дисплей Показывает номер программы, выбранной с помощью кнопки выбора программы. Также отображается буква С при установке времени охлаждения.</p>
5	<p>Кнопка выбора режима сварки Он используется для выбора одного из режимов сварки MMA, сварки TIG с высокочастотным зажиганием и сварки TIG с касанием.</p> <p>6 Светодиод загорается, когда выбран режим сварки MMA. 7 Светодиод загорается при выборе режима сварки TIG с высокочастотным зажиганием. В этом режиме при приближении к электроду, не касаясь заготовки, дуга начинается скачком напряжения над газом. 8 Светодиод загорается, когда выбран режим сварки TIG Touch Start. В этом режиме дуга зажигается, когда электрод касается заготовки и вытягивается.</p>

9	<p>Кнопка выбора режима триггера и типа электрода В режимах сварки TIG; Он используется для выбора одного из режимов 2-позиционного, 4-позиционного или положения задней бабки. Когда выбрано 2 положения, загорается светодиод 10. Когда выбрано 4 положения, загорается светодиод 11. Когда выбрано положение задней бабки, загорается светодиод 12.</p> <p>В режиме MMA; Используется для выбора одного из режимов электрода рутилового, основного или целлюлозного. При выборе рутилового электрода загорается светодиод 10. При выборе основного электрода загорается светодиод 11. Когда выбран целлюлозный электрод, загорается светодиод 12.</p>
13 - 14	<p>Кнопки выбора параметров TIG Он используется для выбора параметра TIG, который необходимо отрегулировать. После того, как загорится светодиод соответствующего параметра TIG, параметр настраивается на желаемое значение с помощью кнопки настройки параметров. Вы можете установить следующие параметры TIG:</p> <p>15 Время предварительной подачи газа 16 Пусковой ток 17 Время разгона 18 Восходящий поток 19 Нижнее течение 20 Конечное время разгона 21 Конечный ток 22 Время после подачи газа 23 Время точечной сварки</p>

3.2 Цикл TIG



3.3 Структура меню

Состояния включения или выключения функций в зависимости от режима следующие.

Параметр	ID 300 T DC ID 300 TW DC	Заводские настройки	ВЕЛ	Сварка MMA	2-тактный TIG	4-тактный TIG	Spot TIG
					DC	DC	DC
Время предварительной подачи газа	0-10 сек.	0 - 5 сек.	15		✓	✓	
Пусковой ток	5 - 300 А	30 А	16		✓	✓	
Время подъема	0.1-10 сек.	1 сек.	17		✓	✓	
Главный ток	5 - 300 А	85 А	18	✓	✓	✓	✓
Базовый ток	5 - 300 А	40 А	19			✓	
Время спада	0.1 - 10 сек.	1 сек.	20		✓	✓	
Конечный ток	5 - 300 А	30 А	21		✓	✓	
Время продувки газа после выхода газа	0-20 сек.	0.1 сек.	22		✓	✓	
Время точечной сварки	0-20 сек.	2 сек.	23				✓
Время охладителя воды	1 - 20	3 мин.			✓	✓	✓

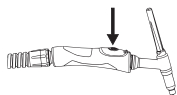
3.3.1 Процесс сварки TIG



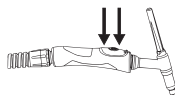
В режиме HF Start TIG на горелке присутствует высокое напряжение зажигания. Никогда не дотрагивайтесь до вольфрамового электрода или деталей, проводящих сварочный ток, когда аппарат включен.

- 10 программ заданий, включая полные настройки параметров, могут быть сохранены и запущены для повторяющихся заданий.
- При первом использовании все параметры всех программ имеют заводские настройки, которые показаны в таблице.
- Нажмите кнопку выбора программы. Для выбора ранее настроенной программы или изменения ее параметров.
- Нажмите кнопку выбора режима сварки, чтобы выбрать Touch-Lift TIG для HF start TIG.
- Нажмите кнопку выбора 2-тактный - 4-тактный - точечная сварка, чтобы выбрать подходящий режим для работы.
- Используйте кнопку выбора параметра TIG (13-14), чтобы изменить параметры сварки. Когда загорится светодиод, принадлежащий параметру, который вы изменяете, отрегулируйте параметр, поворачивая кнопку настройки параметров.
- Последние настроенные значения параметров будут сохранены автоматически. Больше ничего делать для сохранения настроек не нужно.

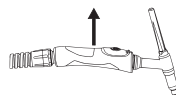
3.3.2 Использование Режимов TIG-Сварки



Нажмите на триггер



Удерживайте спусковой крючок нажатым



Отпустить триггер

2-Тактный Режим TIG-Сварки

- Если нажать и удерживать триггер горелки после подачи предварительного газа возникнет начальный ток и в течение периода увеличения силы тока, ток увеличится до верхнего значения сварочного тока.
- До тех, пока триггер будет находиться в нажатом состоянии, сварочный процесс будет продолжаться при верхних значениях сварочного тока. После отпущения триггера сила тока будет снижаться в течение времени конечного тока и снизится до установленного значения конечного тока. После этого система выполнит продувку газа в конце сварки.



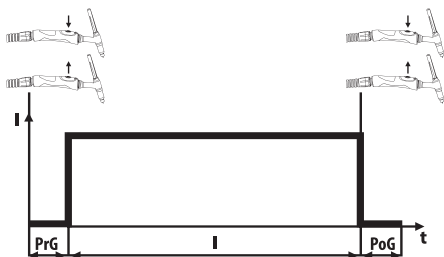
PrG : Время продувки газа в начале сварки

I : Сварочный ток

PoG : Время продувки газа в конце сварки

4-Тактный Режим TIG-Сварки

- Если нажать и удерживать триггер горелки, после подачи предварительного газа возникнет начальный ток и в течение периода увеличения силы тока, ток увеличится до верхнего значения сварочного тока. В режиме сварки при постоянном токе (DC) сварка выполняется при верхнем значении сварочного тока, в режиме импульсной сварки при постоянном токе (DC PULSE) сварка будет выполняться при выбранной частоте колебаний между верхним и нижним значением сварочного тока. Если нажать и удерживать триггер в течение некоторого времени более 1 сек., после отпущения триггера сварочный ток начнет снижаться в течение установленного времени и снизится до силы конечного тока. Вслед за этим будет выполнена продувка газа в конце сварки.
- Во время сварки нижние значения тока, как правило, используются для ремонта или легкого охлаждения сварочного шва, в конце сварки - для заполнения и конечной заварки кратера. Если в конце сварки нажать на триггер горелки в течение менее 1 сек., (в режиме сварки при постоянном токе (DC) и в режиме импульсной сварки (PULSE DC), сварочный ток переключится на нижнее значение и можно выполнять заполнение кратера; если нажать на триггер в течение некоторого времени более 1 сек., сварочный ток начнет снижаться с нижнего значения до значения конечного тока в течение установленного времени. Конечный ток предназначен для обеспечения контролируемого охлаждения мест окончания сварки и устранения риска образования трещин.



PrG : Время продувки газа в начале сварки

I : Сварочный ток

PoG : Время продувки газа в конце сварки

Режим Точечной TIG-Сварки

- При нажатии на триггер горелки сразу начнется подача газа и сварочного тока, сварка будет продолжаться до тех пор, пока триггер удерживается в нажатом состоянии.
- Если в какой-либо момент отпустить триггер, сварочный процесс прекратится.

RU

3.3.3 Метод Сварки Покрытым Электродом

- Нажмите и удерживайте кнопку выбора режима сварки до тех пор, пока не загорится светодиод режима сварки покрытым электродом. При помощи кнопки выбора типа электрода, выберите тип электрода, который будет использоваться для выполнения сварочных работ. В режиме сварки покрытым электродом номера программ сварочных процессов и параметры сварки не активируются.
- В этом режиме активен только светодиод сварочного тока. При помощи ручки настройки параметров установите значение сварочного тока.
- Значения силы тока для сварки нелегированных сталей, указанные в таблице ниже, приводятся в качестве справочной информации. Пожалуйста, соблюдайте рекомендации производителя электродов.

3.4 Информация о потреблении

В таблицах ниже показаны средние значения расхода при сварке в идеальных условиях. Эти значения могут меняться в зависимости от использования и условий окружающей среды.

Средний расход защитного газа при сварке TIG

Керамическая насадка №.	4	5	6	7	8	10
Среднее потребление	6,5 л/мин	8 л/мин	10 л/мин	12 л/мин	12,5 л/мин	15,5 л/мин



ТЕХОБСЛУЖИВАНИЕ И УСТРАНЕНИЕ НЕИСПРАВНОСТЕЙ

- Техобслуживание и ремонт сварочного аппарата должны выполняться только квалифицированными специалистами. Компания не несёт ответственности в связи с аварийными ситуациями, возникающими в результате выполнения техобслуживания и ремонта лицами без соответствующей квалификации.
- Запасные части, используемые во время ремонта, можно приобрести в авторизованных техслужбах. Использование оригинальных запасных частей обеспечит продление срока эксплуатации и предупредит снижение рабочих показателей сварочного аппарата.
- Обращайтесь только к производителю или в авторизованные техслужбы, указанные производителем.
- В течение гарантийного срока выполнение любых вмешательств в конструкцию сварочного аппарата без предварительного согласия производителя может стать причиной аннулирования всех гарантийных обязательств производителя.
- Во время выполнения любых процедур техобслуживания и ремонта обязательно соблюдайте правила техники безопасности.
- Перед началом выполнения любых видов процедур техобслуживания или ремонта отсоедините вилку сетевого кабеля сварочного аппарата и выждите 10 секунд для разряда напряжения на конденсаторах.

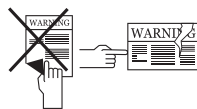
RU

4.1 Техобслуживание



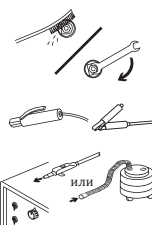
Ежедневное техобслуживание

- Запрещается удалять этикетки с поверхности сварочного аппарата. Изношенные/повреждённые этикетки замените на новые. Этикетки можно приобрести в авторизованных техслужбах.
- Проверьте горелку, зажимы и кабели. Обратите внимание на состояние и прочность соединений частей. Повреждённые/неисправные части замените на новые. Категорически запрещается выполнять ремонт/удлинение кабеля.
- Убедитесь, что имеется достаточная площадь для обеспечения вентиляции.
- Перед началом сварки проверьте расходомером скорость расхода газа на конце горелки. Если расход газа высокий или низкий, установите уровень расхода в соответствии со сварочным процессом.



Один раз в 6 месяцев

- Очистите и зажмите соединительные элементы, такие как гайки и болты.
- Проверьте кабели электрододержателя и клеммы заземления.
- Откройте боковые крышки сварочного аппарата и очистите внутреннюю часть при помощи сухого воздуха под низким давлением. Не используйте воздух под давлением на близком расстоянии от электрических соединений.
- Периодически заменяйте воду в баке блока водяного охлаждения свежей жесткой водой и защищайте ее от замерзания с помощью антифриза.



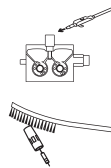
ПРИМЕЧАНИЕ: Вышеупомянутые периоды являются максимальными, которые следует применять, если на вашем устройстве не возникло никаких проблем. В зависимости от рабочей нагрузки и загрязнения вашей рабочей среды вы можете повторять описанные выше процессы чаще.



Никогда не работайте на машине с открытыми крышками.

4.2 Непериодическое Техобслуживание

- Обеспечить чистоту механизма подачи сварочной проволоки и предупредить попадание масла на поверхности роликов.
- При каждой замене сварочной проволоки обязательно выполните очистку поверхностей механизма от скоплений пыли и загрязнений при помощи струи сухого воздуха.
- Регулярно выполняйте очистку расходных материалов горелки. Если необходимо, замените. Для обеспечения продолжительного срока службы аппарата, обратите внимание, чтобы использовались только оригинальные расходные материалы.



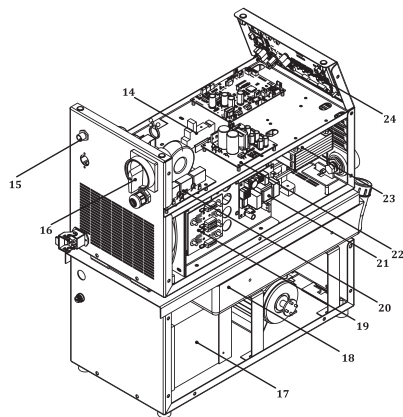
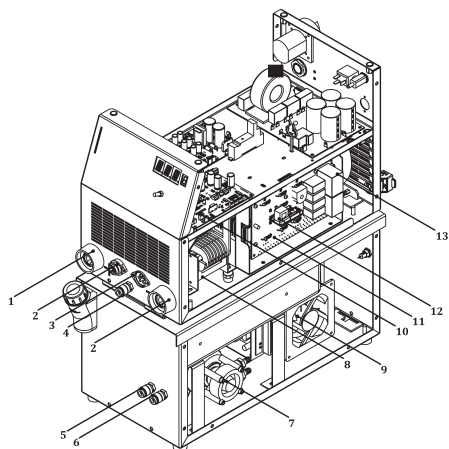
4.3 Коды неисправностей

Код неисправности	Неисправность	Причина	Устранение
ERR-T1	Температурная ошибка	<ul style="list-style-type: none"> • Машина перегрета из-за высокой температуры окружающей среды или превышения рабочего цикла 	<ul style="list-style-type: none"> • Дайте машине немного поработать, чтобы она остыла с помощью охлаждающего вентилятора. После того, как он достаточно остынет, можно приступать к сварке
E02	Ошибка модуля питания	<ul style="list-style-type: none"> • Ошибка / ошибки могут существовать в любой электронной карте 	<ul style="list-style-type: none"> • Выключите и включите. Если ошибка не исчезла, проверьте напряжение в сети, находится ли оно в диапазоне 340–420 В. Если ошибка не исчезла, обратитесь в авторизованный сервисный центр
E04	Напряжение сети высокое	<ul style="list-style-type: none"> • Возможно, напряжение в сети увеличилось 	<ul style="list-style-type: none"> • Проверьте кабели подключения к сети и напряжение. Убедитесь, что подано правильное входное напряжение. Если сетевое напряжение в норме, обратитесь в авторизованный сервисный центр
E08	Низкое напряжение сети	<ul style="list-style-type: none"> • Возможно, упало сетевое напряжение 	<ul style="list-style-type: none"> • Проверьте кабели подключения к сети и напряжение. Убедитесь, что подано правильное входное напряжение. Если сетевое напряжение в норме, обратитесь в авторизованный сервисный центр



ПРИЛОЖЕНИЕ

5.1 Список запасных частей

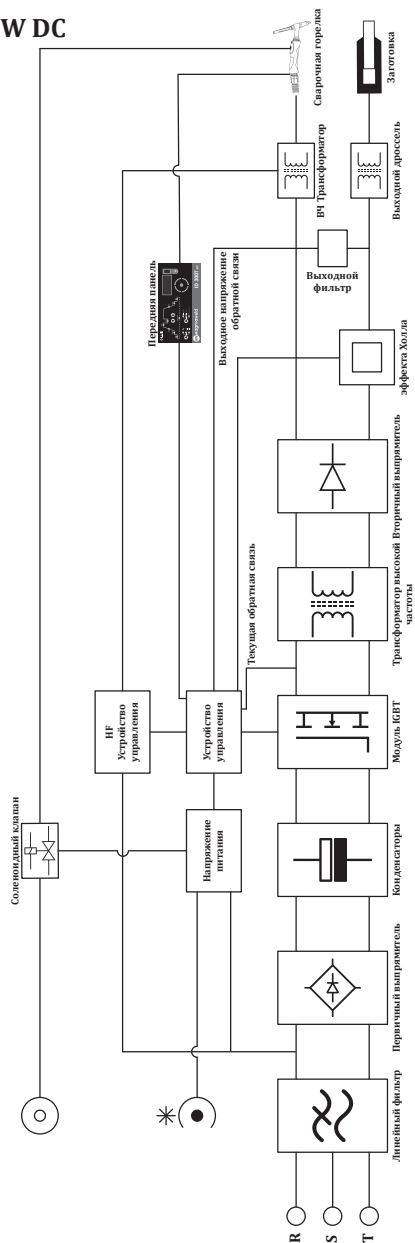


№	ОПИСАНИЕ	ID 300 T DC	ID 300 TW DC
1	Гнездо сварочного кабеля	A377900106	A377900106
2	Электронная плата E202A-CN2	K405000202	K405000202
3	Электронная плата E202A-CN1	K405000201	K405000201
4	Быстроразъемное соединение	A245700006	A245700006
5	Быстроразъемное соединение - синее	-	A245700002
6	Быстроразъемное соединение - красное	-	A245700003
7	Насос для воды	-	A240000006
8	Трансформатор тока высокой частоты	A366700012	A366700012
9	Вентилятор	-	A250001007
10	Электронная плата E202A-3 PFC	K405000151	K405000151
11	Электронная плата E202A-7A	K405000245	K405000245
12	Электронная плата E202A-7B	K405000200	K405000200
13	Вентилятор охлаждения	K250200018	K250200018
14	Реле	A312100014	A312100012
15	Газовый вентиль	A253006019	A253006019
16	Переключатель фаз	A308030004	A308030004
17	Радиатор	-	A260000008
18	Резервуар для воды	-	A249000005
19	Электронная плата E202A-4B	K405000196	K405000196
20	Электронная плата E202A-FLT5	K405000227	K405000227
21	Электронная плата E110A-3	K405000263	K405000263
22	Электронная плата E202A-11B	K405000194	K405000194
23	Катушка индуктивности	K304500115	K304500115
24	Электронная плата E202A-13	K405000195	K405000195

5.2 Схемы подключения

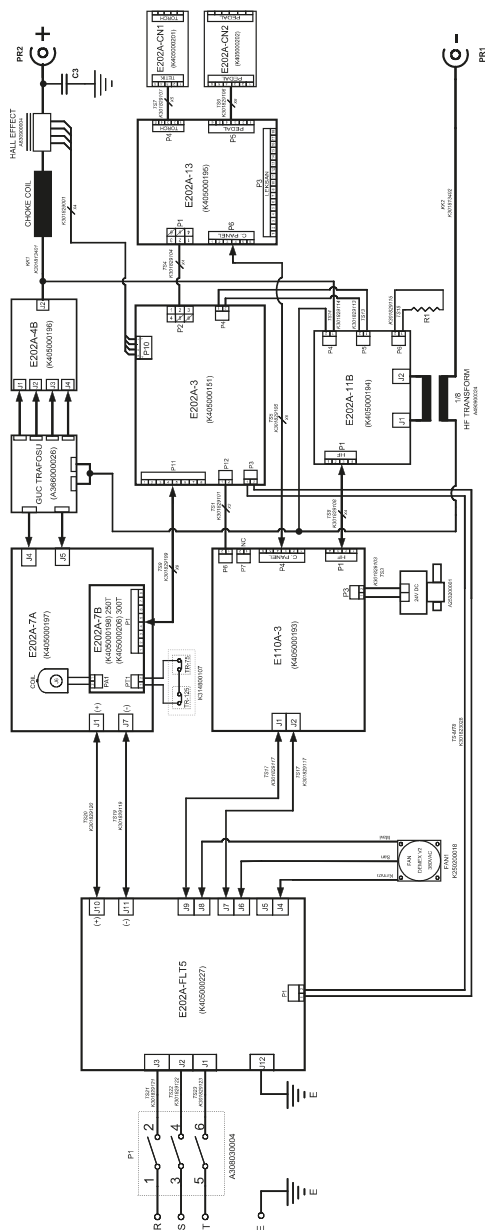
Блок-схема
ID 300 T DC / ID 300 TW DC

RU



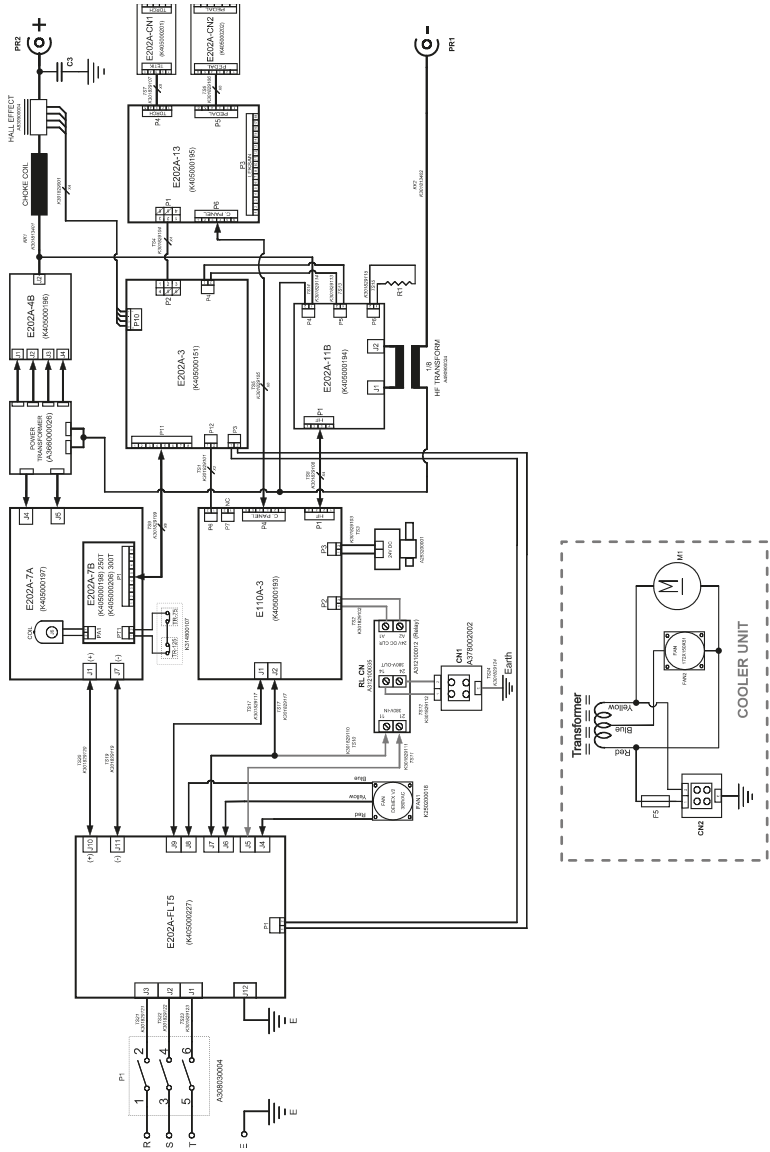
Электрическая схема

ID 300 T DC



ID 300 TW DC

RU



ИНФОРМАЦИЯ О ТОВАРЕ

Модель	
Серийный номер	

ПРОИЗВОДИТЕЛЬ

Имя	MAGMA MEKATRONİK MAKİNE SANAYİ VE TİCARET A.Ş.
Адрес	Organize Sanayi Bölgesi 5. Kısım MANİSA
Телефон / Электронная почта	+90 236 226 27 00 / info@magmaweld.com

ИНФОРМАЦИЯ О ПОКУПКЕ

Имя дилера	
Город / Страна	
Телефон / Электронная почта	
Дата покупки	

ИНФОРМАЦИЯ О КЛИЕНТЕ

Название компании	
Город / Страна	
Телефон / Электронная почта	
Имя контакта	

СЕРВИСНАЯ ИНФОРМАЦИЯ (если применимо)

Название компании	
Имя техника	
Дата сдачи (дата начала гарантии)	



Пожалуйста, посетите наш веб-сайт www.magmaweld.ru/условия-гарантии/wt чтобы ознакомиться с условиями гарантии.

İÇİNDEKİLER

	GÜVENLİK KURALLARI	98
1	TEKNİK BİLGİLER	
1.1	Genel Açıklamalar	104
1.2	Makine Bileşenleri	104
1.3	Ürün Etiketi	106
1.4	Teknik Özellikler	107
1.5	Aksesuarlar	108
2	KURULUM BİLGİLERİ	
2.1	Teslim Alırken Dikkat Edilecek Hususlar	109
2.2	Kurulum ve Çalışma Tavsiyeleri	109
2.3	Elektrik Fişi Bağlantısı	110
2.4	Şebekeye Bağlama	110
2.5	TIG Kaynağı İçin Bağlantılar	110
2.5.1	Torç Bağlantıları	110
2.5.2	Gaz Bağlantıları	111
2.5.3	Tetik ve Pedal Sistemi Soket Bağlantıları	111
2.5.4	Topraklama Pensesi Bağlantıları	112
2.5.5	Torç Sarflarının Montajı	112
2.6	Örtülü Elektrod Kaynağı İçin Bağlantılar	113
2.7	Su Soğutma Ünitesi (Su Soğutmalı Modellerde)	113
3	KULLANIM BİLGİLERİ	
3.1	Kullanıcı Arayüzü	114
3.2	TIG Eğrisi	116
3.3	Menü Yapısı	116
3.3.1	TIG Kaynağı Yöntemi	116
3.3.2	TIG Kaynağı Modlarının Kullanımı	117
3.3.3	Örtülü Elektrod Kaynağı Yöntemi	117
3.4	Tüketim Bilgileri	118
4	BAKIM VE ARIZA BİLGİLERİ	
4.1	Bakım	119
4.2	Periyodik Olmayan Bakım	119
4.3	Hata Kodları	120
5	EKLER	
5.1	Yedek Parça Listesi	121
5.2	Bağlantı Şemaları	122

✓ GÜVENLİK KURALLARI

Kılavuzda Yer Alan Tüm Güvenlik Kurallarına Uyun!

Güvenlik Bilgilerinin Tanınlanması



- Kılavuzda yer alan güvenlik sembolleri potansiyel tehlikelerin tanımlanmasında kullanılır.
- Bu kılavuzda herhangi bir güvenlik sembolü görüldüğünde, bir yaralanma riski olduğu anlaşılmalı ve takip eden açıklamalar dikkatlice okunarak olası tehlikeler engellenmelidir.
- Makine sahibi, yetkisiz kişilerin ekipmana erişmesini engellemekten sorumludur.
- Makineyi kullanan kişiler kaynak / kesme konusunda deneyimli veya tam eğitimli kişiler olup; çalışma öncesinde kullanma kılavuzunu okumalı ve güvenlik uyarılarına uymalıdır.

Güvenlik Sembollerinin Tanınlanması



DİKKAT

Yaralanma ya da hasara neden olabilecek potansiyel tehlikeli bir durumu belirtir. Önlem alınmaması durumunda yaralanmalara veya maddi kayıplara / hasarlara neden olabilir.



ÖNEMLİ

Kullanıma yönelik bilgilendirmeleri ve uyarıları belirtir.



TEHLİKE

Ciddi tehlike olduğunu gösterir. Kaçınılması durumunda ölüm veya ağır yaralanmalar meydana gelebilir.

Güvenlik Uyarılarının Kavranması



- Kullanım kılavuzunu, makine üzerindeki etiket ve güvenlik uyarılarını dikkatli bir şekilde okuyunuz.
- Makine üzerindeki uyarı etiketlerinin iyi durumda olduğundan emin olunuz. Eksik ve hasarlı etiketleri değiştiriniz.
- Makinenin nasıl çalıştırıldığını, kontrollerinin doğru bir şekilde nasıl yapılacağını öğreniniz.
- Makinenizi uygun çalışma ortamlarında kullanınız.
- Makinenizde yapılabilecek uygunsuz değişiklikler makinenizin güvenli çalışmasına ve kullanım ömrüne olumsuz etki eder.
- Cihazın belirtilen koşullar dışında çalıştırılmasından doğan sonuçlardan üretici sorumlu değildir.

Elektrik Çarpmaları Öldürebilir



Kurulum prosedürlerinin ulusal elektrik standartlarına ve diğer ilgili yönetmeliklere uygun olduğundan emin olun ve makinenin yetkili kişiler tarafından kurulmasını sağlayın.

- Kuru ve sağlam izolasyonlu eldiven ve iş önlüğü giyin. Islak ya da hasar görmüş eldiven ve iş önlüklerini kesinlikle kullanmayın.
- Yanma riskine karşı alev dayanıklı koruyucu kıyafetler giyin. Operatörün kullandığı kıyafetler kıvılcım, sıçrıntı ve ark radyasyonuna karşı koruyucu olmalıdır.
- Yalnız başınıza çalışmayın. Bir tehlike durumunda, çalıştığınız ortamda haber verebileceğiniz birinin olduğundan emin olun.
- Elektroda çıplak elle dokunmayın. Elektrod penselinin veya elektrodun herhangi bir kişi ya da topraklanmış nesne ile temas etmesini engelleyin.
- Elektrik taşıyan parçalara kesinlikle dokunmayın.
- Eğer çalışma yüzeyine, zemine ya da başka bir makineye bağlı elektrodla temas halindeyseniz kesinlikle elektrodla dokunmayın.
- Çalışma yüzeyinden ve zeminden kendinizi izole ederek olası muhtemel elektrik şoklarından koruna bilirsiniz. Çalışma yüzeyiyle operatörün temasını kesecek kadar büyük, yanzmaz, elektriksiz açıdan yalıtıkan, kuru ve hasarsız izolasyon malzemesi kullanın.
- Elektrod pensesine birden fazla elektrod bağlamayın.
- Topraklama pensesini çalışma parçası ya da çalışma masasına metal metale iyi bir temas sağlayacak şekilde olabildiğince yakın bağlayın.
- Makineyi çalıştırmadan önce torcu kontrol edin. Torcun ve kablolarının iyi durumda olduğundan emin olun. Hasarlı, yıpranmış torcu mutlaka değiştirin.
- Çift açık devre voltajı olacağı için 2 farklı makineye bağlı elektrod penselerine aynı anda dokunmayın.
- Makineyi kullanmadığınız durumlarda kapalı tutun ve kabloların bağlantılarını sökün.
- Makineyi tamir etmeden önce tüm güç bağlantılarını ve/veya bağlantı fişlerini çıkartın ya da makineyi kapatın.
- Uzun şebeke kablosu kullanırken dikkatli olun.
- Tüm bağlantıların sıkı, temiz ve kuru olduğundan emin olun.

- Kabloların kuru, temiz olmasına ve yağlanmamasına özen gösterin. Sıcak metal parçalardan ve kıvılcıklardan koruyun.
- İzolasyonsuz, çıplak kablolar ölümcül tehlike yaratır. Tüm kabloları olası hasarlarla karşı sık sık kontrol edin. Hasarlı ya da izolasyonsuz bir kablo tespit edildiğinde derhal tamir edin veya değiştirin.
- Topraklama sensesi iş parçasına bağlı değil ise herhangi bir metal nesneyle temasını önlemek için izole edin.
- Elektrik hattının topraklamasının doğru yapıldığından emin olun.
- AC kaynak çıkışı ıslak, nemli ya da sıkışık alanlarda ve düşme tehlikesi bulunan yerlerde kullanmayın.
- AC çıkışı yalnızca kaynak prosesi için gerekli olduğu durumlarda kullanın.
- AC çıkış gerekli olduğu durumlarda eğer makinanızda mevcut ise uzaktan kontrol ünitesini kullanın.

Aşağıdaki elektriksiz açıldan tehlike içeren durumlardan biri mevcut olduğunda ekstra güvenlik önlemleri alın;

- Nemli yerlerdeyken veya ıslak kıyafetler giyerken,
 - Metal zemin, ızgara veya iskele yapılarında iken,
 - Oturma, diz çökme veya yatma gibi sıkışık konumlarda iken,
 - İş parçası veya zemine temas etme riski yüksek veya kaçınılmaz olduğunda.
- Bu durumlarda aşağıdaki ekipmanlar kullanılabilir;
- Yarı otomatik DC sabit gerilim (CV) MIG kaynak makinesi,
 - DC manuel Örtülü elektrod kaynak makinesi,
 - Var ise düşük açık devre gerilimine (VRD) sahip DC veya AC kaynak makinesi.

**Elektrik Çarpması
Durumunda
Uygulanması
Gerekenler**



- Elektrik gücünü kapatın.
- Elektrik şokuna kapılmış kazazedeyi elektrik taşıyan kablo veya parçalardan kurtarmak için kuru odun gibi iletken olmayan malzemeler kullanın.
- Acil servisi arayın.

İlk yardım eğitiminiz var ise;

- Kazazede nefes alamıyorsa elektrik kaynağı ile temas kesildikten hemen sonra kalp masajı (CPR) uygulayın. Solunum başlayana veya yardım gelene kadar kalp masajına devam edin.
- Otomatik bir elektronik defibrilatörün (AED) mevcut olduğu durumlarda talimatlara uygun şekilde kullanın.
- Elektrik yanığını termal yanık gibi soğuk kompres uygulayarak tedavi edin.
- Enfeksiyon kapmasını önleyin ve temiz, kuru bir örtü ile örtün.

**Hareketli Parçalar
Yaralanmalara
Yol Açabilir**



- Hareket halinde olan nesnelere uzak durun.
- Makine ve cihazlara ait tüm kapak, panel, kapı vb. koruyucuları kapalı ve kilitli tutun.
- Ağır cisimlerin düşme olasılığına karşı metal burunlu ayakkabı giyin.

**Duman ve Gazlar
Sağlığınız İçin
Zararlı Olabilir**



Kaynak ve kesme işlemi yapılırken çıkan duman ve gazın uzun süre solunması çok tehlikelidir.

- Gözlerde, burunda ve boğazda meydana gelen yanma hissi ve tahrişler; yetersiz havalandırmanın belirtileridir. Böyle bir durumda derhal havalandırmayı arttırın, sorunun devam etmesi halinde kaynak / kesme işlemini durdurun.
- Çalışma alanında doğal ya da suni bir havalandırma sistemi oluşturun.
- Kaynak / kesme işlemi yapılan yerlerde uygun bir duman emme sistemi kullanın. Gerekiyorsa tüm atölyede biriken duman ve gazları dışarıya atabilecek bir sistem kurun. Deşarj esnasında çevreyi kirletmemek için uygun bir filtrasyon sistemi kullanın.
- Dar ve kapalı alanlarda çalışıyorsanız veya kurşun, berilyum, kadmiyum, çinko, kaplı ya da boyalı malzemelerin kaynağını yapıyorsanız, yukarıdaki önlemlere ilave olarak temiz hava sağlayan maskeler kullanın.
- Gaz tüpleri ayrı bir bölgede gruplandırılmışsa buraların iyi havalandırılması sağlayın, gaz tüpleri kullanımında değilken ana vanalarını kapalı tutun, gaz kaçaklarına dikkat edin.
- Argon gibi koruyucu gazlar havadan daha yoğun ve kapalı alanlarda kullanıldıkları takdirde havanın yerine solunabilirler. Bu da sağlığınız için tehlikelidir.
- Kaynak / kesme işlemlerini yağlama veya boyama işlemlerinde açığa çıkan klorlu hidrokarbon buharlarının olduğu ortamlarda yapmayın.
- Bazı kaynak / kesim yapılan parçalar için özel havalandırma gerekir. Özel havalandırma gerektiren ürünlerin güvenlik kuralları dikkatlice okunmalıdır. Gaz maskesi takılması gereken durumlarda uygun gaz maskesi takılmalıdır.

Siçrıntı ve Ark Işıđı Gözlerinizi ve Cildinizi Zarar Verebilir



- Gözlerinizi ve yüzünüzü korumak için standarda uygun koruyucu maske ile ona uygun cam filtre kullanın.
- Vücutunuzun diđer çıplak kalan yerlerini (kollar, boyun, kulaklar, vb) uygun koruyucu giysilerle siçrıntı ve ark ışınlarından koruyun.
- Çevrenizdeki kişilerin ark ışınlarından ve sıcak metallere zarar görmemeleri için çalışma alanınızı göz hizasından yüksek, alev dayanıklı paravanlarla çevirin ve uyarı levhaları asın.
- Buz tutmuş boruların ısıtılmasında kullanılmaz. Kaynak / kesme makinesiyle yapılan bu işlem tesisatınızda patlama, yangın veya hasara neden olur.

Kıvılcımlar ve Siçrayan Parçalar Gözlerinizi Yaralayabilir



- Kaynak / kesme yapmak, yüzey taşlamak, fırçalamak gibi işlemler kıvılcımlara ve metal parçacıklarının siçramasına neden olur. Oluşabilecek yaralanmalara önlemek için koruyucu maskesinin altına, kenar korumalıkları olan onaylanmış koruyucu iş gözlükleri takın.

Sıcak Parçalar Ağır Yanıklara Neden Olabilir



- Sıcak parçalara çıplak el ile dokunmayın.
- Makinenin parçaları üzerinde çalışmadan önce soğumaları için gerekli sürenin geçmesini bekleyin.
- Sıcak parçaları tutmanız gerektiğinde, uygun alet, ısıl izolasyonu yüksek kaynak / kesme eldiveni ve yanmaz giysiler kullanın.

Gürültü, Duyma Yeteneđinize Zarar Verebilir



- Bazı ekipman ve işlemlerin oluşturacağı gürültü, duyma yeteneđinize zarar verebilir.
- Eđer gürültü seviyesi yüksek ise onaylanmış kulak koruyucularını takın.

Kaynak Teli Yaralanmalara Yol Açabilir



- Kaynak teli sargısını boşaltırken torcu vücudun herhangi bir bölümüne, diđer kişilere ya da herhangi bir metale doğru tutmayın.
- Kaynak telini makaradan elle açarken özellikle ince çaplarda tel, bir yay gibi elinizden fırlayabilir, size veya çevrenizdeki diđer kişilere zarar verebilir; bu işlemi yaparken özellikle gözlerinizi ve yüzünüzü koruyun.

Kaynak / Kesme İşlemi Yangınlara ve Patlamalara Yol Açabilir



- Yanıcı maddelere yakın yerlerde kesinlikle kaynak / kesim yapmayın. Yangın çıkabilir veya patlamalar olabilir.
- Kaynak / kesme işlemine başlamadan önce bu maddeleri ortamdan uzaklaştırın veya yanmalarını ve harlamalarını önlemek için koruyucu örtülerle üstlerini örtün.
- Bu alanlarda ulusal ve uluslararası özel kurallar geçerlidir.

- Tamamen kapalı tüplere ya da borulara kaynak / kesme işlemi uygulamayın.
- Tüp ve kapalı konteynerlere kaynak / kesme yapmadan önce bunları açın, tamamıyla boşaltıp, havalandırıp temizleyin. Bu tip yerlerde yapacağımız kaynak / kesme işlemlerinde mümkün olan en büyük dikkati gösterin.
- Diđer daha önce, patlama, yangın ya da diđer tepkimelere neden olabilecek maddeler bulunan tüp ve borulara boş dahi olsalar kaynak / kesme yapmayın.
- Kaynak / kesme işlemi esnasında yüksek sıcaklık oluşur. Bu nedenle kolay yanabilecek veya hasar görebilecek yüzeylerin üzerine yerleştirmeyin !

- Kıvılcımlar ve siçrayan parçalar yangına sebep olabilir. Bu nedenle yangın söndürücü tüp, su, kum gibi malzemeleri kolay ulaşabileceğiniz yerlerde bulundurun.
- Yanıcı, patlayıcı ve basınçlı gaz devreleri üzerinde geri tepme ventilleri, gaz regülatörleri ve vanalarını kullanın. Bunların periyodik kontrollerinin yapıpı sağlıklı çalışmasına dikkat edin.

Makine ve Aparatların Yetkisiz Kişiler Tarafından Bakım Yapılması Yaralanmalara Neden Olabilir



- Elektrikli cihazlar yetkisiz kişilere tamir ettirilmemelidir. Burada yapılabilecek hatalar kullanımda ciddi yaralanmalara veya ölümlere neden olabilir
- Gaz devresi elemanları basınç altında çalışmaktadır; yetkisiz kişiler tarafından verilen servisler sonucunda patlamalar olabilir, kullanıcılar ciddi şekilde yaralanabilir.
- Makinenin ve yan birimlerinin her yıl en az bir kez teknik bakımının yaptırılması tavsiye edilir.

Küçük Hacimli Kapalı Alanlarda Kaynak / Kesme



- Küçük hacimli ve kapalı alanlarda mutlaka bir başka kişi eşliğinde kaynak / kesme işlemlerini yapın.
- Mümkün olduğu kadar bu tarz kapalı yerlerde kaynak / kesme işlemleri yapmaktan kaçınınız.

Taşıma Esnasında Gerekli Önlemlerin Alınmaması Kazalara Neden Olabilir



- Makinenin taşınmasında gerekli tüm önlemleri alınız. Taşıma yapılacak alanlar, taşımada kullanılacak parçalar ile taşımayı gerçekleştirecek kişinin fiziki koşulları ve sağlığı taşıma işlemine uygun olmalıdır.
- Bazı makineler son derece ağırdır, bu nedenle yerleri değiştirirken gerekli çevresel güvenlik önlemlerinin alındığından emin olunmalıdır.
- Makine bir platform üzerinden kullanılacaksa, bu platformun uygun yük taşıma sınırlarına sahip olduğu kontrol edilmelidir.
- Bir vasıta yardımı ile (taşıma arabası, forklift vb.) taşınacak ise vasıtanın ve makineyi vasıtaya bağlayan bağlantı noktalarının (taşıma askısı, kayış, civata, somun, tekerlek vb.) sağlamlığından emin olunuz.
- Elle taşıma işlemi gerçekleştirilecek ise Makine aparatlarının (taşıma askısı, kayış vb.) ve bağlantılarının sağlamlığından emin olunuz.
- Gerekli taşıma koşullarının sağlanması için Uluslararası Çalışma Örgütünün taşıma ağırlığı ile ilgili kurallarını ve ülkenizde var olan taşıma yönetmeliklerini göz önünde bulundurunuz.
- Güç kaynağının yerini değiştirirken her zaman tutamakları veya taşıma halkalarını kullanın. Asla torç, kablo veya hortumlardan çekmeyin. Gaz tüplerini mutlaka ayrı taşıyın.
- Kaynak / kesme ekipmanlarını taşımadan önce tüm ara bağlantılarını sökün, ayrı ayrı olmak üzere, küçük olanları saplarından, büyükleri ise taşıma halkalarından ya da forklift gibi uygun kaldırma ekipmanları kullanarak kaldırın ve taşıyın.

Düşen Parçalar Yaralanmalara Sebep Olabilir



Güç kaynağının ya da diğer ekipmanların doğru konumlandırılmaması, kişilerde ciddi yaralanmalara ve diğer nesnelere de maddi hasara neden olabilir.

- Makinenin düşmeyecek ve devrilmeyecek şekilde maksimum 10° eğime sahip zemin ve platformlara yerleştirin. Malzeme akışına engel olmayacak, kablo ve hortumlara takılma riskinin oluşmayacağı, hareketsiz; ancak geniş, rahat havalandırılabilir, tozsuz alanları tercih edin. Gaz tüplerinin devrilmemesi için tüpe uygun gaz platformu bulunan makinelerde platformun üzerine, sabit kullanımlarda ise devrilmeyecek şekilde zincirle duvara sabitleyin.
- Operatörlerin makine üzerindeki ayarlara ve bağlantılara kolayca ulaşmasını sağlayın.

Aşırı Kullanım Makinenin Aşırı Isınmasına Neden Olur



- Çalışma çevrimi oranlarına göre makinenin soğumasına müsaade edin.
- Akımı veya çalışma çevrimi oranını tekrar kaynağa / kesmeye başlamadan önce düşürün.
- Makinenin havalandırma girişlerinin önünü kapamayın.
- Makinenin havalandırma girişlerine, üretici onayı olmadan filtre koymayın.

Ark Kaynağı Elektromanyetik Parazitlere Neden Olabilir



- Bu cihaz TS EN 55011 standardına göre EMC testlerinde grup 2, class A dir.
- Bu class A cihaz elektriksel gücün alçak gerilim şebekeden sağlandığı meskun mahallerde kullanım amacıyla üretilmemiştir. Bu gibi yerlerde iletilen ve yayılan radyo frekans parazitlerinden dolayı elektromanyetik uyumluluğu sağlamakla ilgili muhtemel zorluklar olabilir.



Bu cihaz IEC 61000 -3 - 12 uyumlu değildir. Evlerde kullanılan alçak gerilim şebekesine bağlanmak istenmesi durumunda, elektrik bağlantısını yapacak tesisatçının veya makineyi kullanacak kişinin, makinenin bağlanabilirliği konusunda bilgi sahibi olması gereklidir, bu durumda sorumluluk kullanıcıya aittir.

- Çalışma bölgesinin elektromanyetik uyumluluğa (EMC) uygun olduğundan emin olun. Kaynak / kesme işlemi esnasında oluşabilecek elektromanyetik parazitler, elektronik cihazlarınızda ve şebekenizde istenmeyen etkilere neden olabilir. İşlem sırasında oluşabilecek bu parazitlerin neden olabileceği etkiler kullanıcının sorumluluğu altındadır.
- Eğer herhangi bir parazit oluşuyorsa, uygunluğu sağlamak için; kısa kablo kullanımı, korumalı (zırhlı) kablo kullanımı, makinenin başka bir yere taşınması, kabloların etkilenen cihaz ve/veya bölgeden uzaklaştırılması, filtre kullanımı veya çalışma alanının EMC açısından korunmaya alınması gibi ekstra önlemler alınabilir.
- Olası EMC hasarlarını engellemek için kaynak / kesme işlemlerini hassas elektronik cihazlarınızdan mümkün olduğunca uzakta (100 m) gerçekleştirin.
- Makinenizi kullanma kılavuzuna uygun şekilde kurulum yerleştirildiğinden emin olun.

Çalışma Alanının Elektromanyetik Uygunluğunun Değerlendirilmesi



IEC 60974-9 madde 5.2'ye göre;

Kaynak / kesme donanımı tesis etmeden önce, işletme yetkilisi ve / veya kullanıcı, çevredeki olası elektromanyetik parazitler hakkında bir inceleme yapmalıdır. Aşağıda belirtilen haller göz önünde bulundurulmalıdır;

- Kaynak / kesme makinesi ve donanımının üstünde, altında ve yanındaki diğer besleme kabloları, kontrol kabloları, sinyal ve telefon kabloları,
- Radyo ve televizyon vericileri ve alıcıları,
- Bilgisayar ve diğer kontrol donanımı,
- Kritik güvenlik donanımı, örneğin endüstriyel donanımın korunması,
- Çevredeki insanların tıbbi aparatları, örneğin kalp pilleri ve işitme cihazları,
- Ölçme veya kalibrasyon için kullanılan donanım,
- Ortamdaki diğer donanımın bağlılığı. Kullanıcı, çevrede kullanılmakta olan diğer donanımın uyumlu olmasını sağlamalıdır. Bu, ilave koruma önlemleri gerektirebilir,
- Kaynak / kesme işleminin gün içindeki gerçekleştirileceği zaman, göz önüne alınarak çevrenin büyüklüğü, binanın yapısına ve binada yapılmakta olan diğer faaliyetlere göre inceleme alanı sınırları genişletilebilir.

Alanın değerlendirilmesine ek olarak cihaz kurulumlarının değerlendirilmesi de bozucu etkinin çözümü için gerekli olabilir. Gerek görülmesi durumunda, yerinde ölçümler azaltıcı önlemlerin verimliliklerini onaylamak için de kullanılabilir.

(Kaynak: IEC 60974-9).

Parazit Azaltma Yöntemleri



- Cihaz tavsiye edilen şekilde ve yetkili bir kişi tarafından elektrik şebekesine bağlanmalıdır. Eğer parazit oluşursa şebekenin filtrelenmesi gibi ek önlemler uygulanabilir. Sabit montajlı ark kaynağı ekipmanının beslemesi metal bir boru içerisinden veya eşdeğer ekranlı bir kablo ile yapılmalıdır. Ekran ile güç kaynağının mahfazası bağlı olmalı ve bu iki yapı arasında iyi bir elektriksel temas sağlanmalıdır.
- Cihazın tavsiye edilen rutin bakımları yapılmalıdır. Cihaz kullanımdayken, kaportanın tüm kapakları kapalı ve / veya kilitle olmalıdır. Cihaz üzerinde üreticinin yazılı onayı olmadan standart ayarları dışında herhangi bir değişiklik, modifikasyon kesinlikle yapılamaz. Aksi durumda oluşabilecek her türlü sonuçtan kullanıcı sorumludur.
- Kaynak / kesme kabloları mümkün olduğunca kısa tutulmalıdır. Çalışma alanının zemininden yan yana olacak şekilde ilerlemelidirler. Kaynak / kesme kabloları hiçbir şekilde sarılmamalıdır.
- Kaynak / kesme esasında makinede manyetik alan oluşmaktadır. Bu durum makinenin metal parçaları kendi üzerine çekmeye sebebiyet verebilir. Bu çekimi engellemek adına metal malzemelerin güvenli mesafede veya sabitlenmiş olduğundan emin olunuz. Operatör, bütün bu birbirine bağlanmış metal malzemelerden yalıtılmalıdır.
- İş parçasının elektriksel güvenlik amacıyla veya boyutu ve pozisyonu sebebiyle toprağa bağlanmadığı durumlarda (örneğin gemi gövdesi veya çelik konstrüksiyon imalatı) iş parçası ile toprak arasında yapılacak bir bağlantı bazı durumlarda emisyonları düşürebilir. İş parçasının topraklanmasının kullanıcıların yaralanmasına veya ortamdaki diğer elektrikli ekipmanların arıza yapmasına neden olabileceği unutulmamalıdır. Gerekli hallerde iş parçası ile toprak bağlantısı doğrudan yapılabılır fakat doğrudan bağlantıya izin verilemeyen bazı ülkelerde bağlantı yerel düzenleme ve yönetmeliklere uygun olarak, uygun kapasite elemanları kullanılarak oluşturulabilir.
- Çalışma alanındaki diğer cihazların ve kabloların ekranlanması ve muhafazası bozucu etkilerin önüne geçilmesini sağlayabilir. Kaynak / kesme bölgesinin tamamının ekranlanması bazı özel uygulamalar için değerlendirilebilir.

Elektromanyetik Alan (EMF)



Herhangi bir iletken üzerinden geçen elektrik akımı, bölgesel elektrik ve manyetik alanlar (EMF) oluşturur.

Operatörler EMF'ye maruz kalmının sebep olduğu riski en aza indirmek için aşağıdaki prosedürleri uygulamalıdır;

- Manyetik alanı azaltmak adına kaynak / kesme kabloları bir araya getirilmeli, mümkün olduğunca birleştirici malzemelerle (bant, kablo bağı vb.) emniyet altına alınmalıdır.
- Operatörün gövdesi ve başı, kaynak / kesme makine ve kablolarından mümkün olduğunca uzakta tutulmalıdır,
- Kaynak / kesme ve elektrik kabloları vücudun etrafına hiçbir şekilde sarılmamalıdır,
- Vücut, kaynak / kesme kablolarının arasında kalmamalıdır. Kaynak / kesme kablolarının her ikisi yan yana olmak üzere vücudun uzağında tutulmalıdır,
- Dönüş kablosu iş parçasına, kaynak / kesme yapılan bölgeye mümkün olduğunca yakın bir şekilde bağlanmalıdır,
- Güç ünitesine yaslanmamalı, üzerine oturmamalı ve çok yakınında çalışılmamalıdır,
- Güç ünitesini veya tel besleme ünitesini taşıırken kaynak / kesme işlemi yapılmamalıdır.

EMF ayrıca, kalp pilleri gibi tıbbi implantların (vücut içine yerleştirilen madde) çalışmasını bozabilir. Tıbbi implantları olan kişiler için koruyucu önlemler alınmalıdır. Örneğin, yoldan geçenler için erişim sınırlaması koyulabilir veya operatörler için bireysel risk değerlendirmeleri yapılabilir. Bir tip uzmanı tarafından, tıbbi implantları olan kullanıcılar için risk değerlendirmesi yapılıp, öneride bulunulmalıdır.

**Koruma**

- Makineyi yağmura maruz bırakmayın, üzerine su sıçramasına veya basınçlı buhar gelmesine engel olun.

Enerji Verimliliği

- Yapacağınız kaynak / kesme işlemine uygun yöntem ve makine tercihinde bulunun.
- Kaynak / kesme yapacağınız malzemeye ve kalınlığına uygun akım ve / veya gerilimi seçin.
- Kaynak / kesme yapmadan uzun süre beklenilecekse, fan makineyi soğuttuktan sonra makineyi kapatın. Akıllı fan kontrolü olan makinelerimiz kendi kendine duracaktır.

Atık Prosedürü

- Sahip olduğunuz kaynak makinesi evsel kullanım için tasarlanmamıştır. Bu ürün Atık Elektrikli ve Elektronik Eşyaların (AEEE) Kontrolü Yönetmeliği kapsamında değerlendirilmekte olup Magmaweld söz konusu yönetmeliğin 15.maddesinde belirtilen toplama hedeflerinden muaftır.
- Magmaweld ürettiği kaynak makinelerinin AEEE yönetmeliği hükümlerine uygun olarak üretilmiş olduğunu taahhüt eder.

GARANTİ FORMU

Garanti Formu için www.magmaweld.com.tr/garanti-formu/wr web sitemizi ziyaret ediniz.



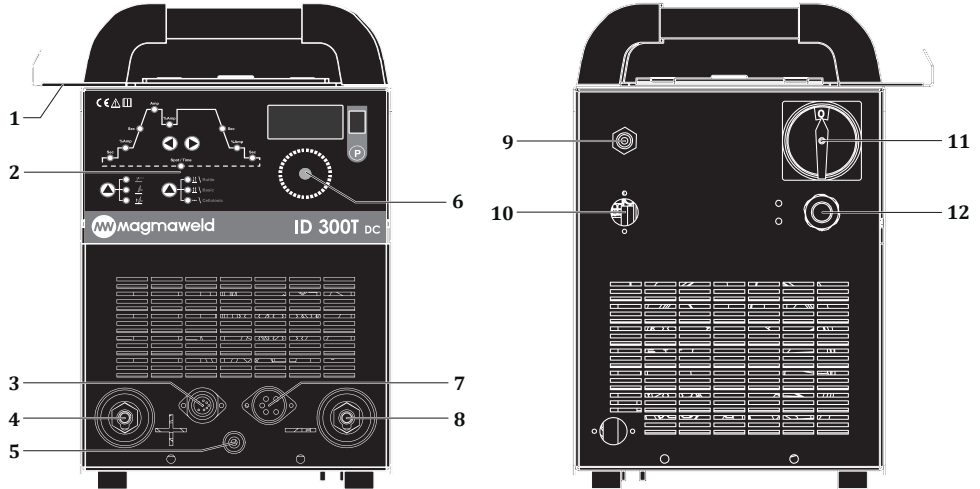
TEKNİK BİLGİLER

1.1 Genel Açıklamalar

ID 300 T DC ve ID 300 TW DC invertör tipi, 3 faz DC TIG ve örtülü elektrod kaynak makinesidir. Metallerin TIG kaynağı ve 5 mm çapa kadar örtülü elektrod kaynağı için tasarlanmıştır. HF tutuşturma, dokundurarak başlatma, ön gaz, yukarı eğim, aşağı eğim, son gaz ve krater doldurma gibi gelişmiş profesyonel TIG kontrollerine sahiptir. Örtülü elektrod kaynağı modunda rutil, bazik ve selülozik seçenekleri mevcuttur. TIG modunda 10 iş programı hafızada saklanabilir ve işe göre seçilerek tamamıyla aynı kaynağı yeniden elde etme imkanı verir. Kontrol paneli üzerinden tüm kaynak parametreleri ayarlanabilir ve dijital göstergeler aracılığıyla izlenebilir. Uygun güç ve frekansı sağlayacak bir jeneratörle de kullanılabilir.

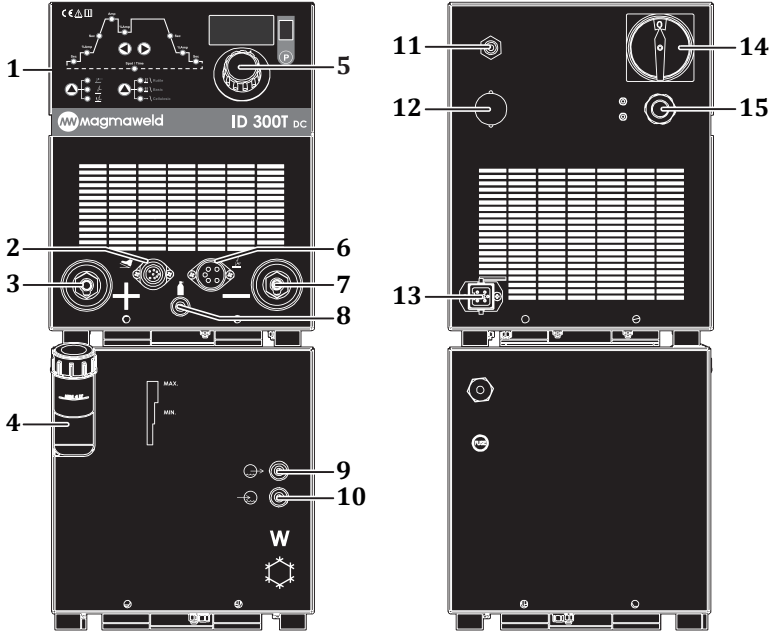
25 m uzunluğa kadar kaynak kablolarıyla da kullanılabilir. Makine fan soğutmalıdır ve aşırı ısınmaya karşı termik korumalıdır.

1.2 Makine Bileşenleri



Şekil 1 : ID 300 T DC







- | | |
|--|--|
| 1- Torç Taşıma Askısı | 7- Tetik Kontrol Soketi |
| 2- Kontrol Paneli | 8- Kaynak ve Toprak Kablosu Soketi (-) |
| 3- Pedal Kontrol Soketi | 9- Gaz Girişi |
| 4- Kaynak ve Toprak Kablosu Soketi (+) | 10- Uzaktan Kumanda Bağlantı Girişi |
| 5- Gaz Çıkışı | 11- Açma / Kapama Düğmesi |
| 6- Parametre Ayar Potu | 12- Besleme Kablosu Girişi |



Şekil 2 : ID 300 TW DC

- | | |
|--|-------------------------------------|
| 1- Kontrol Paneli | 9- Su Ünitesi Sıcak Su Girişi |
| 2- Pedal Kontrol Soketi | 10- Su Ünitesi Soğuk Su Çıkışı |
| 3- Kaynak ve Toprak Kablosu Soketi (+) | 11- Gaz Girişi |
| 4- Su Ünitesi | 12- Uzaktan Kumanda Bağlantı Girişi |
| 5- Parametre Ayar Potu | 13- Su Ünitesi Enerji Soketi |
| 6- Tetik Kontrol Soketi | 14- Açma/Kapama Şalteri |
| 7- Kaynak ve Toprak Kablosu Soketi (-) | 15- Besleme Kablosu Girişi |
| 8- Gaz Çıkışı | |

1.3 Ürün Etiketi

MAGMA MEKATRONİK MAKİNE SAN. VE TİC. A.Ş. Organize Sanayi Bölgesi 5.Kısım Manisa-TÜRKİYE			
ID 300 T DC		S/N:	
		EN 60974-1 60974-10 Class A	
	---	5A / 10.2V - 300A / 22V	
	U ₀ =85V	X _(40C°)	30% 60% 100%
		I ₂	300A 212A 164A
		U ₂	22V 18.5V 16.6V
	U _i =400V	I _{1max} =17.8A	I _{1eff} =9.8A
		5A / 20.2V - 300A / 32V	
	U ₀ =85V	X _(40C°)	30% 60% 100%
		I ₂	300A 212A 164A
		U ₂	32V 28.5V 26.6V
	U _i =400V	I _{1max} =23.3A	I _{1eff} =12.8A
IP21S		CE EAC	

 Üç Fazlı Transformator Doğrultucu



TIG Kaynağı



Örtülü Elektrod Kaynağı



Doğru Akım



Düşey Karakteristik



Şebeke Girişi-3 Fazlı Alternatif Akım



Tehlikeli Ortamlarda Çalışmaya Uygun

S/N

Seri Numarası

X Çalışma Çevrimi

U₀ Boşta Çalışma Gerilimi

U₁ Şebeke Gerilimi ve Frekansı

U₂ Anma Kaynak Gerilimi

I₁ Şebekeden Çekilen Anma Akımı

I₂ Anma Kaynak Akımı

S₁ Şebekeden Çekilen Güç

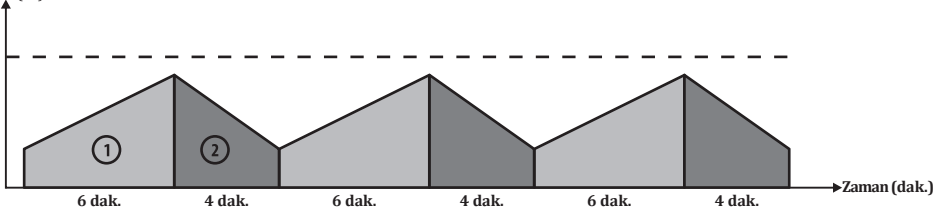
IP23S Koruma Sınıfı

• S / N (Seri Numara) Açıklaması

Makine ID				Üretim				Sıra No				
				Yıl	Hafta							
X	X	X	X	X	X	X	X	X	X	X	X	X

Makine Model Grubu Sırası | O yıl içerisinde üretilen makine sıra numarası

Çalışma Çevrimi
Sıcaklık (C°)



EN 60974-1 standardında da tanımlandığı üzere çalışma çevrim oranı 10 dakikalık bir zaman periyodunu içerir. Örnek olarak %60'da 250A olarak belirtilen bir makinede 250A'de çalışılmak isteniyorsa, makine 10 dakikalık zaman periyodunun ilk 6 dakikasında hiç durmadan kaynak / kesme yapabilir (1 bölgesi). Ancak bunu takip eden 4 dakika makine soğuması için boşta bekletilmelidir (2 bölgesi).

1.4 Teknik Özellikler

TEKNİK ÖZELLİKLER	BİRİM	ID 300 T DC ID 300 TW DC
Şebeke Gerilimi (3-faz 50-60 Hz)	V	400
Şebekeden Çekilen Güç (MMA)	kVA	16.1 (%30)
Şebekeden Çekilen Güç (TIG)	kVA	12.3 (%30)
Güç Kaynağı Verimliliği	%	MMA 86,74 / TIG 85,63
İşlevsiz Durum Güç Tüketimi	W	29
Kaynak Akım Ayar Sahası	ADC	5 - 300
Anma Kaynak Akımı	ADC	300 (%30)
Açık Devre Gerilimi	VDC	85
Kaynak Elektrod Çapı Aralığı	mm	1.60 - 5.00
Tungsten Elektrod Çapı Aralığı	mm	1.00 - 2.40
Boyutlar	mm	598 x 252 x 661
Ağırlık	kg	22.5
Koruma Sınıfı		IP 21S

1.5 Aksesuarlar

STANDART AKSESUARLAR	ADET	ID 300 T DC ID 300 TW DC
Topraklama Pensesi ve Kablosu	1	7905212503 (25 mm ² - 3 m)
Gaz Hortumu	1	7907000002
Lava TIG 26 (4 m) Hava Soğutmalı TIG Torcu*	1	7110018004
Lava TIG 18W (4 m) Su Soğutmalı TIG Torcu*	1	7110038004

* Sipariş esnasında belirtilmelidir.

OPSİYONEL AKSESUARLAR	ADET	ID 300 T DC ID 300 TW DC
Elektrod Pensesi ve Kablosu	1	7906202503 (25 mm ² - 3 m)
Lava TIG 26 (8 m) Hava Soğutmalı TIG Torcu	1	7110018008
Lava TIG 18W (8 m) Su Soğutmalı TIG Torcu	1	7110038008
Su Soğutma Ünitesi (CST 60i)	1	7910005250
Ayak Pedalı (On / Off)	1	7910000120
Ayak Pedalı (Akım Ayarlı)	1	7910000140
Torç Kumanda Takımları (2 Düğmeli / 4 Düğmeli)	1	7910000003 / 7910000004
Taşıma Arabası (4 Teker)	1	7910000200
Gaz Regülatörü (Argon)	1	7020001004
TIG Aksesuar Seti Hava Soğutmalı (Torç + Regülatör)	1	7910000510
TIG Aksesuar Seti Su Soğutmalı (Torç + Regülatör)	1	7910000530

KURULUM BİLGİLERİ

2.1 Teslim Alırken Dikkat Edilecek Hususlar

Sipariş ettiğiniz tüm malzemelerin gelmiş olduğundan emin olun. Herhangi bir malzemenin eksik veya hasarlı olması halinde derhal aldığınız yer ile temasa geçin.

Standart kutu şunları içermektedir;

- Ana makine ve ona bağlı şebeke kablosu
- Garanti belgesi
- Kullanma kılavuzu
- Topraklama pensesi ve kablosu
- Torç

Hasarlı teslimat halinde tutanak tutun, hasarın resmini çekin, irsaliyenin fotokopisi ile birlikte nakliyeciy firmaya bildirin. Sorunun devam etmesi halinde müşteri hizmetleri ile irtibata geçin.

Cihaz üzerindeki sembol ve anlamları;



Kaynak yapma işlemi tehlike içermektedir. Uygun çalışma koşulları sağlanmalı ve gerekli önlemler alınmalıdır. Uzman kişiler makinede sorumlu olup, gerekli donanımları sağlamalıdır. İlgili olmayan kişiler kaynak sahasından uzak tutulmalıdır.



Bu cihaz IEC 61000-3-12 uyumlu değildir. Evlerde kullanılan alçak gerilim şebekesine bağlanmak istenmesi durumunda, elektrik bağlantısını yapacak tesisatçının veya makineyi kullanacak kişinin, makinenin bağlanabilirliği konusunda bilgi sahibi olması gereklidir; bu durumda sorumluluk kullanıcıya aittir.



Cihaz üzerinde ve kullanım kılavuzunda bulunan güvenlik sembollerine ve uyarı notlarına dikkat edilmesi, etiketleri sökülmemelidir.



Izgaralar havalandırma amaçlıdır. Açıklıkların üzeri iyi bir soğutma sağlamak amacıyla örtülmemeli ve içeriye yabancı cisim sokulmamalıdır.

2.2 Kurulum ve Çalışma Tavsiyeleri

- Makineyi taşımak için kaldırma halkaları ya da forklift kullanılmalıdır. Makineyi gaz tüpüyle birlikte kaldırmayın. Çanta tipi taşınabilir kaynak makinelerinde elle taşıma yapılırken İş Sağlığı ve Güvenliği yönetmeliğine uygun şekilde hareket edilmelidir. Taşıma işleminin mümkün olduğu kadar sağlık ve güvenlik şartlarına uygun olarak yapılabilmesi için işyerinde gerekli düzenlemeler yapılmalıdır. Çalışma ortamının özellikleri ve yapılan işin gereklerine uygun önlemler alınmalıdır. Makine düşmeyeceği ve devrilmeyeceği sert, düzgün ve eğimsiz bir zemine yerleştirilmelidir.
- Makineyi direk güneş ışığı altında çalıştırmayın. Ortam sıcaklığının 40°C aştığı durumlarda, makineyi daha düşük akımda ya da daha çevrim oranında çalıştırın.
- Dış mekanlarda rüzgar ve yağmur varken kaynak yapmaktan kaçınınız. Bu tür durumlarda kaynak yapmak zorunluysa, kaynak bölgesini ve kaynak makinesini perde ve tenteye koruyunuz. İçeride kaynak yapıyorsanız, uygun bir duman emme sistemi kullanınız. Kapalı mekanlarda kaynak dumanı ve gazı soluma riski varsa, solunum aparatları kullanınız.
- Makineyi konumlandırırken duvar, perde, pano gibi materyallerin makinenin kontrol ve bağlantılarına kolay erişimi engellemediğinden emin olun.
- Ürün etiketinde belirtilen çalışma çevrimi oranlarına uyun. Çalışma çevrimi oranlarını sıklıkla aşmak, makineye hasar verebilir ve bu durum garantiyi geçersiz kılar.
- Sisteminize uygun sigortayı kullanınız.
- Toprak kablosunu kaynak bölgesinin olabildiğince yakınına, sıkıca bağlayınız.
- Kaynak akımının kaynak kabloları dışındaki ekipmanlar üzerinden geçmesine izin vermeyiniz.
- Çalışma sırasında kaynak kabloları ve şebeke kablosu makine gövdesine sarılmamalıdır.
- Gaz tüpü makinenin üzerine yerleştirildiğinde, derhal zinciri bağlayarak gaz tüpünü sabitleyiniz. Eğer gaz tüpünü makinenin üzerine yerleştirmeyecekseniz, tüpü zincirle duvara sabitleyiniz.

2.3 Elektrik Fişi Bağlantısı



Güvenliğiniz için, makinenin şebeke kablosunu kesinlikle fişsiz kullanmayın.

- Fabrika, şantiye ve atölyelerde farklı prizler bulunabileceği için şebeke kablosuna bir fiş bağlanmamıştır. Prize uygun bir fiş, kalifiye bir elektrikçi tarafından bağlanmalıdır.
- Toprak kablosunun mevcut olduğundan emin olun.
- Fişi kabloya bağladıktan sonra, bu aşamada prize takmayın.

2.4 Şebekeye Bağlama



Fişi prize takarken, makinenin açma/kapama şalterinin "0" konumunda olduğundan emin olun.

- Bağlantı konusunda yetkili kişilerden (kalifiye elektrikçi vs.) destek alınmalıdır. Makineyi şebekeye bağlamadan önce faz voltajı kontrol edilmelidir. Doğru olduğu tespit edildikten sonra fiş prize takılmalıdır.
- Açma / kapama şalterini "1" konumuna getirerek makineyi çalıştırın. Kontrol panelindeki gösterge ve ledlerin yandığından ve soğutma fanının çalıştığından emin olun.
- Açma / kapama şalterini tekrar "0" konumuna getirerek makineyi kapatın.

2.5 TIG Kaynağı İçin Bağlantılar



Makineyi şebekeye bağlamadan önce şebekede doğru gerilimin olup olmadığını kontrol edin. Fişi prize takarken, açma kapama düğmesinin kapalı konumda "0" olduğundan emin olun.

- Açma / kapama şalteri ile makineyi çalıştırın ve ledlerin yanıp yanmadığını ve soğutma fanının çalışıp çalışmadığını kontrol edin.

Tungsten Elektrod Çapı (mm)	Tavsiye Edilen TIG Kaynak Akımı
1.6	30-130
2.0	45-180
2.4	70-240

2.5.1 Torç Bağlantıları

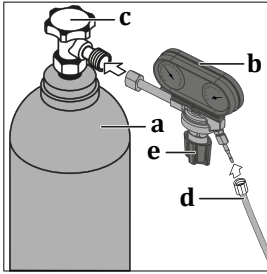
- TIG torcunun fişini eksi kutuplu kaynak soketine sokup sağa çevirerek iyice sıkın. Makineyle birlikte gelen torç tetik konnektörünü torcun tetik kontrol kablolarına takın. Ardından konnektörü tetik kontrol soketine bağlayın.
- Torcun gaz hortumunu gaz çıkışına bağlayın.
- Su soğutmalı modellerde torcun soğuk "mavi" hortumunu makine üzerindeki soğuk su çıkışına, sıcak "kırmızı" hortumunu makine üzerindeki sıcak su girişine bağlayın.

2.5.2 Gaz Bağlantıları

- Argon gaz tüpünü (a) zincirle sabitleyin.
- Emniyetle çalışmak ve iyi sonuçlar elde etmek için standartlara uygun bir regülatör (b) kullanın.
- Gaz tüpü vanasını (c) bir süre açık tutarak, olası tortu ve partiküllerin dışarı atılmasını sağlayın.
- Gaz regülatörünü gaz tüpüne bağlayın, gaz tüpünün gaz çıkışındaki vida dişi ile regülatörün somununun örtüştüğünden emin olun.
- Tüp hortumunun (d) bir ucunu gaz regülatörüne, diğer ucunu makinenin arkasındaki gaz girişine bağlayıp gaz tüpü vanasını açın.
- Basınç ayar vanası (e) ile gaz debisini ayarlayın
- Bağlantılarda sızıntı olmadığından emin olun.



Bu kaynak makinesinde yalnızca 10 Litre veya 20 Litre tüp kullanılmalıdır. Daha büyük boyutlarda tüp kullanılması tüpün ve kaynak makinesinin devrilmesine neden olabilir. Gaz tüpünü makinenin üzerine yerleştirdiğinizde, derhal zinciri bağlayarak gaz tüpünü sabitleyin. Eğer gaz tüpünü makinenin üzerine yerleştirmeyeceksiniz, tüpü zincirle duvara sabitleyin.

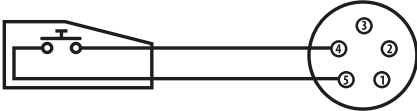


Şekil 3 : Gaz Bağlantıları

Elektrod Çapı (mm)	Nozul Çapı (mm)	Kaynak Akımı (ADC)	Gaz Debisi (lt/dak)
1.0	6.3	30-70	6-8
1.6	9.5	30-150	6-8

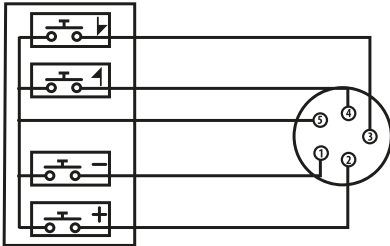
2.5.3 Tetik ve Pedal Sistemi Soket Bağlantıları

- Tetik kontrol soketine 4 ve 5 nolu uçlar gelecek şekilde bağlanmalıdır.



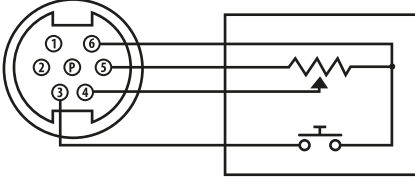
(1) Lehimleme yönü referans alınmıştır.

- TIG Torç Bağlantısı; Tetik kontrol soketine 1-2-3-4-5 nolu uçlar gelecek şekilde şekildeki gibi bağlanmalıdır.



(2) Lehimleme yönü referans alınmıştır.

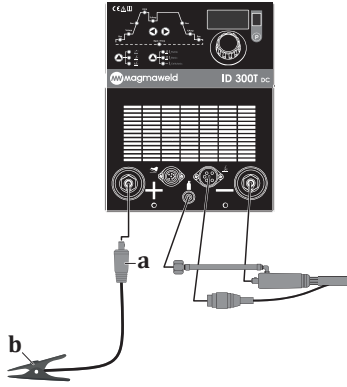
- Ayarlı Pedal Bağlantısı; Pedal soketine, 3-4-5-6 nolu uçlar gelecek şekilde bağlanmalıdır.



(3) Lehimleme yönü referans alınmıştır.

2.5.4 Topraklama Pensesi Bağlantıları

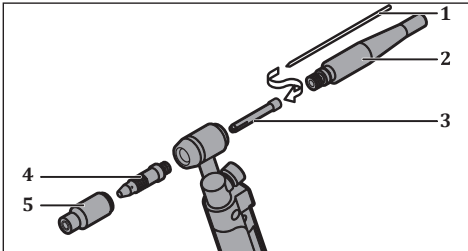
- Topraklama pensesi kablosunun fişini (a) artı kutuplu sokete sokup sağa çevirerek iyice sıkın.
- Kaynak kalitesini arttırmak için, topraklama pensesini (b), kaynak yapılacak bölgeye olabildiğince yakın yerde, iş parçasına sıkıca bağlayın.



Şekil 4 : Topraklama Pensesi Bağlantıları

2.5.5 Torç Sarflarının Montajı

- Seramik gaz nozulu (5) ve tungsten elektrod (1) çalışma akımına ve iş parçasının şekline göre seçilmelidir. Buna bağlı olarak, kısıkaç (3) ve kısıkaç tutucunun (4) çapları tungsten elektrodun çapıyla örtüşmelidir.
- Sıkıştırma başlığını (2) çıkartın.
- Mevcut elektrodu, elektrod kısıkaçından çıkartıp yeni tungsten elektrodun çapıyla örtüşmelidir.
- Elektrod kısıkaçını torça takın.
- Sıkıştırma başlığını iyice sıkıştırın.



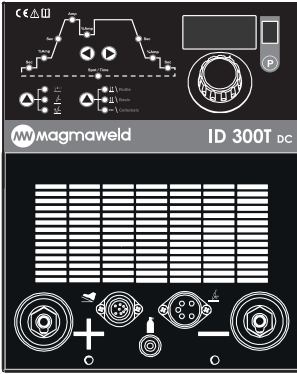
Şekil 5 : Torç Sarflarının Montajı

2.6 Örtülü Elektrod Kaynağı İçin Bağlantılar

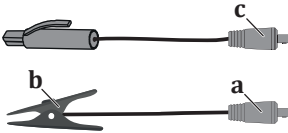


Makineyi şebekeye bağlamadan önce şebekede doğru gerilimin olup olmadığını kontrol edin. Fişi prize takarken, açma kapama düğmesinin kapalı konumda "0" olduğundan emin olun.

- Açma/kapama şalteri ile makineyi çalıştırın ve ledlerin yanıp yanmadığını ve soğutma fanının çalışıp çalışmadığını kontrol edin.
- Elektrod pensesi kablosunun fişini (c) ve topraklama pensesi kablosunun fişini (a), kullanılacak elektroda ve elektrodun üreticisinin tavsiye ettiği kutuplara göre kaynak ve toprak kablosu soketlerine bağlayın.
- Kaynak kalitesini arttırmak için, topraklama pensesini (b), kaynak yapılacak bölgeye olabildiğince yakın bir yerde, iş parçasına sıkıca bağlayın.



Örtülü Elektrod Çapı "mm"	Tavsiye Edilen Kaynak Akımı		
	Rutil	Bazik	Selülozik
2.0	40-60 A	-	-
2.5	60-90 A	60-90 A	60-100 A
3.25	100-140 A	100-130 A	70-130 A
4.0	140-180 A	140-180 A	120-170 A



2.7 Su Soğutma Ünitesi (Su Soğutmalı Modellerde)

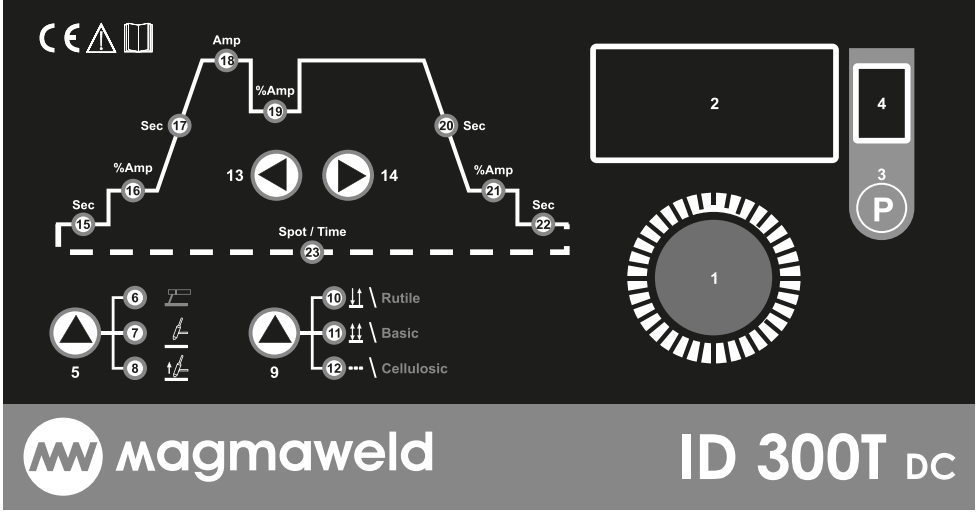
- Su soğutma ünitesi torcu soğutmak için kullanılan radyatör, fan, pompa soğutma sıvısı deposundan oluşan bir kapalı devre sistemidir.

Eğer makinanızda su soğutma ünitesi var ise;

- Su soğutmalı torcun soğuk (mavi) su hortumunu su soğutma sistemi üzerindeki soğuk su çıkışına, sıcak (kırmızı) su hortumunu su soğutma sistemi üzerindeki sıcak su girişine bağlayın.
- Magmaweld kaynak makineleri, en iyi performansı verecek şekilde üretilmiş Magmaweld soğutma sıvısı ile beraber gelir. Soğutma sıvısının eksilmesi durumunda soğutma sıvısı deposu kapağını açıp, çalışma ortamının sıcaklığına uygun Magmaweld soğutma sıvısı ilave edin. Soğutma sıvısı ünitenin ön panelinde gösterilen minimum ve maksimum değerleri içerisinde olmalıdır.
- Farklı soğutma sıvısı ya da su eklenmemelidir. Farklı sıvı eklentileri kimyasal tepkimelere ya da farklı problemlere neden olabilir.
- Farklı sıvı eklentisi yapılması durumunda ortaya çıkabilecek risklerden Magmaweld sorumlu değildir. Magmaweld soğutma sıvısına farklı soğutma sıvısı ya da su eklentisi yapılması durumunda tüm garanti hükümleri geçersiz olacaktır.
- Farklı marka soğutma sıvısı kullanılmak istenirse soğutma sıvısı deposunun içerisi tamamıyla boş olmalı, içerisinde herhangi bir kalıntı ya da sıvı kalmamalıdır.
- Su soğutma ünitelerinin, Magma Mekatronik Makine Sanayi ve Ticaret. A.Ş. firması kaynak makinaları haricinde kullanılması uygun değildir. Su soğutma üniteleri, harici besleme ile çalıştırılmaz.

KULLANIM BİLGİLERİ

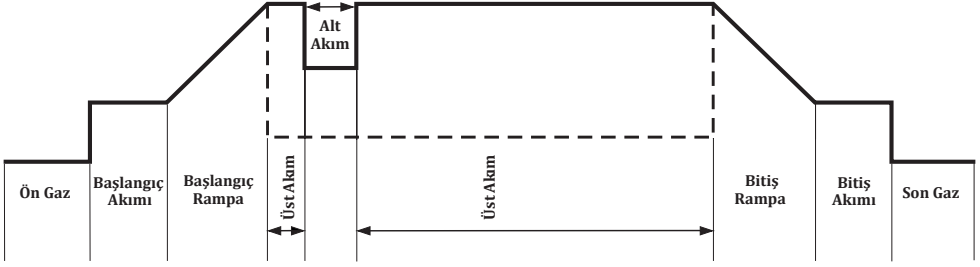
3.1 Kullanıcı Arayüzü



1	<p>Parametre Ayar Potu Kaynak parametrelerini istenen değere ayarlamak için kullanılır.</p>
2	<p>Dijital Gösterge Seçilen kaynak parametresinin sayısal değerini ve kaynak esnasında akım değerini gösterir. Ayrıca hata durumunda hata mesajı gösterir.</p>
3	<p>Program Seçim Düğmesi TIG modlarında tüm parametre ayarlarını kapsayan 10 iş programından birini seçmek için kullanılır. Progmlar sayesinde, ayarlanan parametreler makinenin hafızasında tutulur ve kullanıcı tarafından seçilerek tekrarlanan işler için kullanılabilir. Seçilen program numarası için yapılan son ayarlar otomatik olarak kaydedilecektir, kayıt için ayrıca bir işlem yapılmasına gerek yoktur. Ayrıca, yine TIG modlarında, 3 sn basılı tutulduğunda soğutma süresi ayarına geçilmesini sağlar.</p>
4	<p>Dijital Program Göstergesi Program seçim düğmesi ile seçilen program numarasını gösterir. Ayrıca, soğutma süresi ayarı yapılırken C harfini gösterir.</p>
5	<p>Kaynak Modu Seçim Düğmesi Örtülü Elektrod kaynağı, HF tutuşturmalı TIG kaynağı ve Dokundurma Başlatmalı TIG kaynağı modlarından birini seçmek için kullanılır. Örtülü elektrod kaynağı modu seçildiğinde led 6 yanar. HF tutuşturmalı TIG kaynağı modu seçildiğinde led 7 yanar. Bu modda elektrod iş parçasına değdiril-meyerek yaklaştırıldığında ark gaz üzerinden voltaj atlaması ile başlar. Dokundurma Başlatmalı TIG kaynağı modu seçildiğinde led 8 yanar. Bu modda elektrod iş parçasına değdirilip çekildiğinde ark başlar.</p>

9	<p>Tetik Modu ve Elektrod Tipi Seçim Düğmesi; TIG kaynağı modlarındayken; 2-Konumu, 4-Konumu, Punta Konumu modlarından birini seçmek için kullanılır. 2-Konumu seçildiğinde led 10 yanar. 4-Konumu seçildiğinde led 11 yanar. Punta konumu seçildiğinde led 12 yanar.</p> <p>Örtülü elektrod kaynağı modundayken; rutil, bazik, selülozik elektrod modlarından birini seçmek için kullanılır. Rutil elektrod seçildiğinde led 10 yanar. Bazik elektrod seçildiğinde led 11 yanar. Selülozik elektrod seçildiğinde led 12 yanar.</p>
13 - 14	<p>TIG Parametreleri Seçim Düğmeleri Ayarı yapılmak istenen TIG parametresini seçmek için kullanılır. İlgili TIG parametresinin ledi yandıktan sonra, parametre ayar düğmesi ile parametre istenen değere ayarlanır. Aşağıdaki TIG parametrelerini ayarlayabilirsiniz:</p> <ul style="list-style-type: none">15 Ön Gaz Süresi16 Başlangıç Akımı17 Başlangıç Rampa Süresi18 Üst Akım19 Alt Akım20 Bitiş Rampa Süresi21 Bitiş Akımı22 Son Gaz Süresi23 Punta Kaynak Süresi

3.2 TIG Eğrisi



3.3 Menü Yapısı

Fonksiyonların modlara göre açık veya kapalı olma durumları aşağıdaki tablodaki gibidir.

Parametre	ID 300 T DC ID 300 TW DC	Fabrika Ayarı	LED	Örtülü Elektrod	2 Konumu TIG		4 Konumu TIG		Punta TIG	
					DC	DC	DC	DC	DC	DC
Ön Gaz Süresi	0-10 sn.	0 - 5 sn.	15		✓		✓			
Başlangıç Akımı	5 - 300 A	30 A	16		✓		✓			
Başlangıç Rampa Süresi	0.1-10 sn.	1 sn.	17		✓		✓			
Üst Akım	5 - 300 A	85 A	18	✓	✓		✓			✓
Alt Akım	5 - 300 A	40 A	19		✓		✓			
Bitiş Rampa Süresi	0.1 - 10 sn.	1 sn.	20		✓		✓			
Bitiş Akımı	5 - 300 A	30 A	21		✓		✓			
Son Gaz Süresi	0-20 sn.	0.1 sn.	22		✓		✓			
Punta Kaynak Süresi	0-20 sn.	2 sn.	23		✓		✓			✓
Su Soğutma Süresi	1 - 20	3 dak.								✓

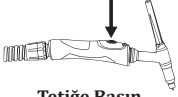
3.3.1 TIG Kaynağı Yöntemi



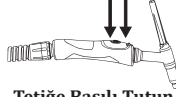
HF tutuşturmalı TIG modunda torçta yüksek bir tutuşturma gerilimi bulunur. Cihaz çalışır durumdayken, kaynak akımını ileten kaynak elektroduna veya parçalarına asla dokunmayın.

- Tüm parametre ayarlarını kapsayan 10 iş programı makinenin hafızasında tutulur ve kullanıcı tarafından ayarlanarak tekrarlanan işler için kullanılabilir.
- Daha önce parametrelerini ayarladığınız bir programı kullanmak ya da bir programdaki parametreleri değiştirmek için program seçim düğmesine basarak programı seçin.
- Kaynak modu seçim düğmesine basarak HF tutuşturmalı TIG kaynağını veya dokundurma başlatmalı TIG kaynağını seçin.
- 2-konumu / 4-konumu / Punta konumu seçim düğmesini kullanarak bu modlardan işe uygun olanı seçin.
- Kaynak parametrelerini değiştirmek için TIG parametreleri seçim düğmelerini kullanın. Değerini değiştirmek istediğiniz parametrenin ledi yanınca parametre ayar düğmesini çevirerek parametreyi ayarlayın.
- Seçtiğiniz program numarası için yaptığınız son ayarlar otomatik olarak kaydedilecektir, kayıt için ayrıca bir işlem yapmanıza gerek yoktur.
- Parametrelerini ayarladığınız bir programı tekrar kullanmak ya da parametrelerini değiştirmek için program seçim düğmesine basarak programı seçip aynen kullanabilir, ya da parametrelerini değiştirebilirsiniz.

3.3.2 TIG Kaynağı Modlarının Kullanımı



Tetiğe Basın



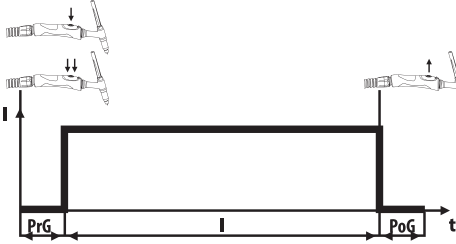
Tetiğe Basılı Tutun



Tetiği Bırakın

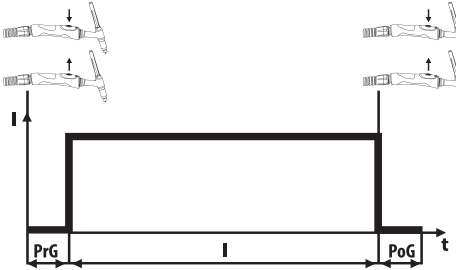
2-Konumu TIG Kaynağı

- Torç tetiğine basıp tuttuğunuzda, ön gazın ardından başlangıç akımı başlar ve rampa süresince akım artarak üst akım seviyesine çıkar ve tetik basılı tutulduğu sürece üst akımda devam eder.
- Tetiği bıraktığımızda akım bitiş rampa süresince azalır ve bitiş akımı seviyesine inip kaynağı bitirir. Ardından son gaz devreye girer.



4-Konumu TIG Kaynağı

- Torç tetiğine bastığımızda ön gazın ardından başlangıç akımı başlar ve tetiği bıraktığımızda rampa süresince akım artarak üst akım seviyesine, yani kaynak akımına çıkar. Üst akımda tetiğe basıp çektikten sonra akım rampa süresince azalarak bitiş akımına ulaşır. Son gaz süresinin ardından işlem sona erer.
- Alt akım genellikle kaynak esnasında bir tamir veya hafif soğutma, kaynak bitimlerinde de krater doldurma ve son kapatma amaçlı kullanılmaktadır. Kaynak bitiminde, torç tetiğinde alt tuşa basılırsa tamir akımına geçer, alt tuşa tekrar basıldığında kaynak sonlanır. Üst tuşa basıldığında ise kaynak ana akımına geçer, tekrar üst tuşa basıldığında kaynak bitiş periyodu başlar. Rampa hızına bağlı olarak bitiş akımına ulaşılır. Bitiş akımının amacı, kaynak bitiş yerinin kontrollü şekilde soğutulmasını sağlayarak, çatlama riskini ortadan kaldırmaktır.



Punta Konumu TIG Kaynağı

- Torç tetiğine bastığımızda kaynak akımı ve gazı derhal başlar ve tetiği basılı tuttuğunuz sürece devam eder, herhangi bir anda tetiği bıraktığımızda kaynak sona erer.

3.3.3 Örtülü Elektrod Kaynağı Yöntemi

- Örtülü elektrod kaynağı ledi yanana dek, kaynak modu seçim düğmesine basın.
- Elektrod tipi seçim düğmesi ile kullanacağımız elektrod tipini seçin.
- Program numaraları ve kaynak parametreleri örtülü elektrod modundayken aktif değildir. Bu modda sadece kaynak akımı ledi aktif olur. Parametre ayar düğmesi ile kaynak akımını ayarlayın.

3.4 Tüketim Bilgileri

Aşağıdaki tabloda ideal koşullar için kaynak sırasında ortalama tüketim değerleri gösterilmektedir. Kullanım ve ortam koşullarına göre farklılık gösterebilir.

TIG Kaynağı Sırasında Ortalama Koruyucu Gaz Tüketimi

Seramik Nozul No.	4	5	6	7	8	10
Ortalama Tüketim	6,5 l/dak.	8 l/dak.	10 l/dak.	12 l/dak.	12,5 l/dak.	15,5 l/dak.

TR



BAKIM VE ARIZA BİLGİLERİ

- Makineye yapılacak bakım ve onarımların mutlaka yetkin kişiler tarafından yapılması gerekmektedir. Yetkisiz kişiler tarafından yapılacak müdahaleler sonucu oluşacak kazalardan firmamız sorumlu değildir.
- Onarım esnasında kullanılacak parçaları yetkili servislerimizden temin edebilirsiniz. Orijinal yedek parça kullanımı makinenizin ömrünü uzatacağı gibi performans kayıplarını engeller.
- Her zaman üreticiye veya üretici tarafından belirtilen yetkili bir servise başvurun.
- Garanti süresi içerisinde üretici tarafından yetkilendirilmemiş herhangi bir girişimde tüm garanti hükümleri geçersiz olacaktır.
- Geçerli güvenlik kurallarına bakım onarım işlemleri sırasında mutlaka uyunuz.
- Tamir için makinenin herhangi bir işlem yapılmadan önce, makinenin elektrik fişini şebekeden ayırınız ve kondansatörlerin boşalması için 10 saniye bekleyiniz.

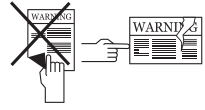
TR

4.1 Bakım



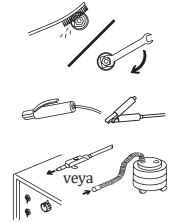
3 Ayda Bir

- Cihaz üzerindeki uyarı etiketlerini sökmeyiniz. Yıpranmış / yırtılmış etiketleri yenisi ile değiştiriniz. Etiketleri yetkili servisten temin edebilirsiniz.
- Torcun, penselerin ve kablolarımızın kontrolünü yapınız. Parçaların bağlantılarına ve sağlamlığına dikkat ediniz. Hasar görmüş / arızalı parçaları yenisi ile değiştiriniz. Kablolara ek / onarım kesinlikle yapmayınız.
- Havalandırma için yeterli alan olduğuna emin olunuz.
- Kaynağa başlamadan önce torcun ucundan çıkan gaz debisini debimetre ile kontrol ediniz. Gazın debisi yüksek veya düşük ise yapılacak kaynağa uygun seviyeye getiriniz.



6 Ayda Bir

- Civata, somun gibi birleştirici parçaları temizleyiniz ve sıkıştırınız.
- Elektrod pensesi ve toprak pensesi kablolarını kontrol ediniz.
- Makinenin yan kapaklarını açarak düşük basınçlı kuru hava ile temizleyiniz. Elektronik parçalara yakın mesafeden basınçlı hava uygulamayınız.
- Su soğutma ünitesinin deposundaki su periyodik aralıklarla sert olmayan, temiz bir su ile yenileyin ve donmaya karşı antifriz ile koruyun.



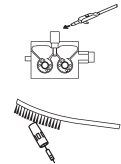
NOT: Yukarıda belirtilen süreler, cihazınızda hiçbir sorunla karşılaşmaması durumunda uygulanması gereken maksimum periyotlardır. Çalışma ortamınızın yoğunluğuna ve kirliliğine göre yukarıda belirtilen işlemleri daha sık aralıklarla tekrarlayabilirsiniz.



Asla kaynak makinesinin kapakları açıkken kaynak yapmayın.

4.2 Periyodik Olmayan Bakım

- Tel Sürme Mekanizması temiz tutulmalı ve makara yüzeyleri kesinlikle yağlanmamalı.
- Her kaynak teli değişiminde mutlaka mekanizma üzerinde biriken kalıntıları kuru hava yardımıyla temizleyin.
- Torç üzerindeki sarf malzemeler düzenli olarak temizlenmeli. Eğer gerekiyorsa değiştirilmeli. Bu malzemelerin uzun süreli kullanılması için orijinal ürünler olmasına dikkat edin.

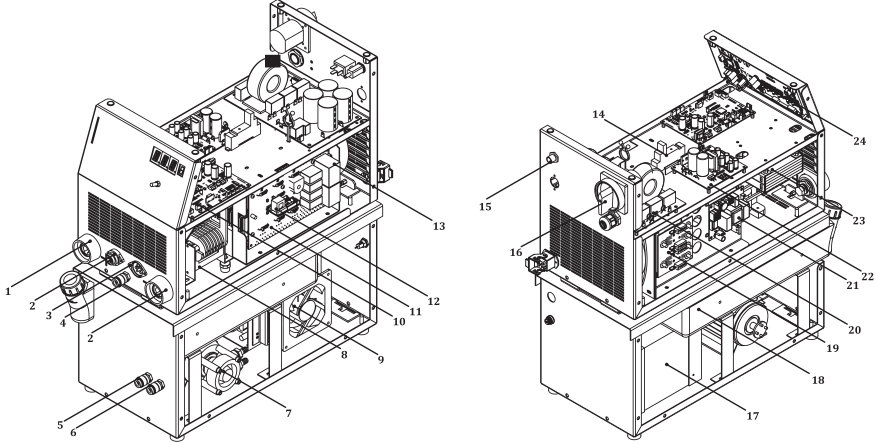


4.3 Hata Kodları

Hata Kodu	Hata	Neden	Çözüm
ERR-T1	Termik Arıza	<ul style="list-style-type: none"> Havadaki yüksek sıcaklık yada yüksek amper değerlerinde uzun süre kaynak yapılması sonucunda makine aşırı ısınmış olabilir 	<ul style="list-style-type: none"> Fanın makineyi soğutması için makineyi bir süre çalışır durumda bırakın. Makine soğuyup hata mesajı geçtiğinde kaynağa devam edebilirsiniz
E02	Güç Modülü Hatası	<ul style="list-style-type: none"> Elektronik kart arızası olabilir 	<ul style="list-style-type: none"> Makineyi kapatıp açın. Sorun devam ediyorsa şebeke voltajını kontrol edin. Şebeke voltajı normal olduğu halde sorun devam ediyorsa yetkili servis ile iletişime geçiniz
E04	Şebeke Voltajı Yüksek	<ul style="list-style-type: none"> Şebeke voltajı yükselmiş olabilir 	<ul style="list-style-type: none"> Şebeke bağlantı kablolarını ve voltajını kontrol ediniz. Doğru voltaj girişi sağlandığından emin olunuz. Şebeke voltajı normal ise yetkili servis ile iletişime geçiniz
E08	Şebeke Voltajı Düşük	<ul style="list-style-type: none"> Şebeke voltajı düşmüş olabilir 	<ul style="list-style-type: none"> Şebeke bağlantı kablolarını ve voltajını kontrol ediniz. Doğru voltaj girişi sağlandığından emin olunuz. Şebeke voltajı normal ise yetkili servis ile iletişime geçiniz

EKLER

5.1 Yedek Parça Listesi

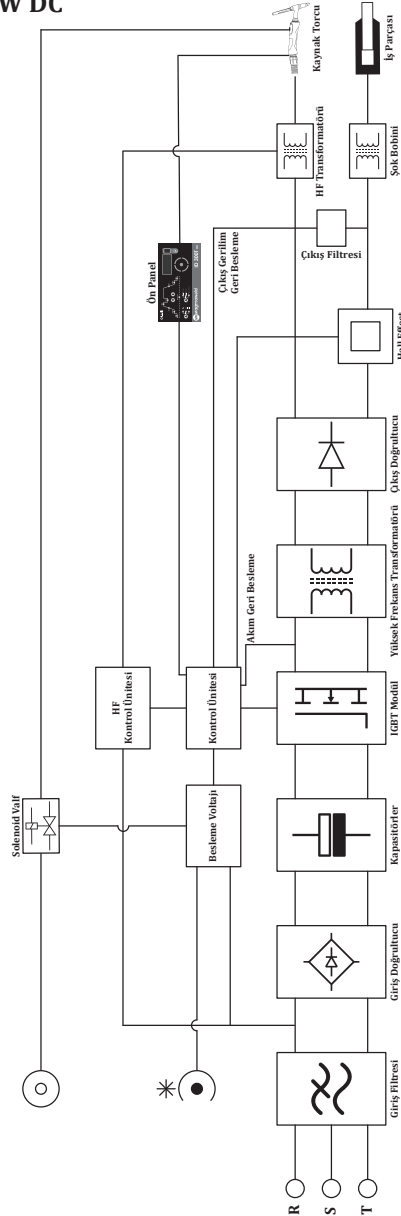


NO	TANIM	ID 300 T DC	ID 300 TW DC
1	Kaynak Prizi	A377900106	A377900106
2	Elektronik Kart E202A-CN2	K405000202	K405000202
3	Elektronik Kart E202A-CN1	K405000201	K405000201
4	Quick Kaplin	A245700006	A245700006
5	Quick Kaplin - Mavi	-	A245700002
6	Quick Kaplin - Kırmızı	-	A245700003
7	Su Deposu	-	A240000006
8	HF Trafosu	A366700012	A366700012
9	Fan	-	A250001007
10	Elektronik Kart E202A-3 PFC	K405000151	K405000151
11	Elektronik Kart E202A-7A	K405000245	K405000245
12	Elektronik Kart E202A-7B	K405000200	K405000200
13	Fan	K250200018	K250200018
14	Röle	A312100014	A312100012
15	Gaz Ventili	A253006019	A253006019
16	Pako Şalter	A308030004	A308030004
17	Radyatör	-	A260000008
18	Su Deposu	-	A249000005
19	Elektronik Kart E202A-4B	K405000196	K405000196
20	Elektronik Kart E202A-FLT5	K405000227	K405000227
21	Elektronik Kart E110A-3	K405000263	K405000263
22	Elektronik Kart E202A-11B	K405000194	K405000194
23	Şok Bobin	K304500115	K304500115
24	Elektronik Kart E202A-13	K405000195	K405000195

5.2 Bağlantı Şemaları

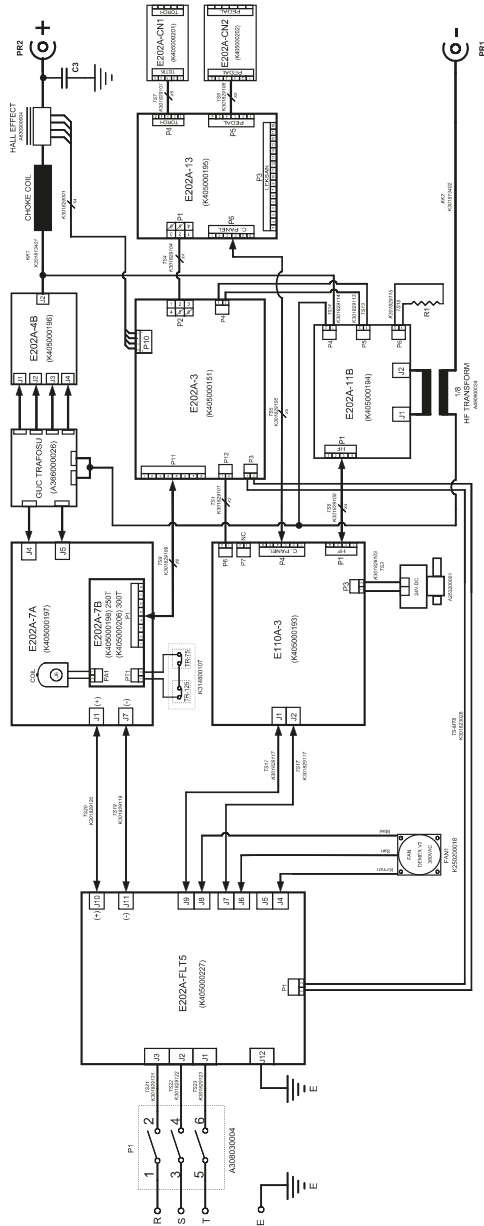
Blok Diyagram

ID 300 T DC / ID 300 TW DC



Devre Şemaları

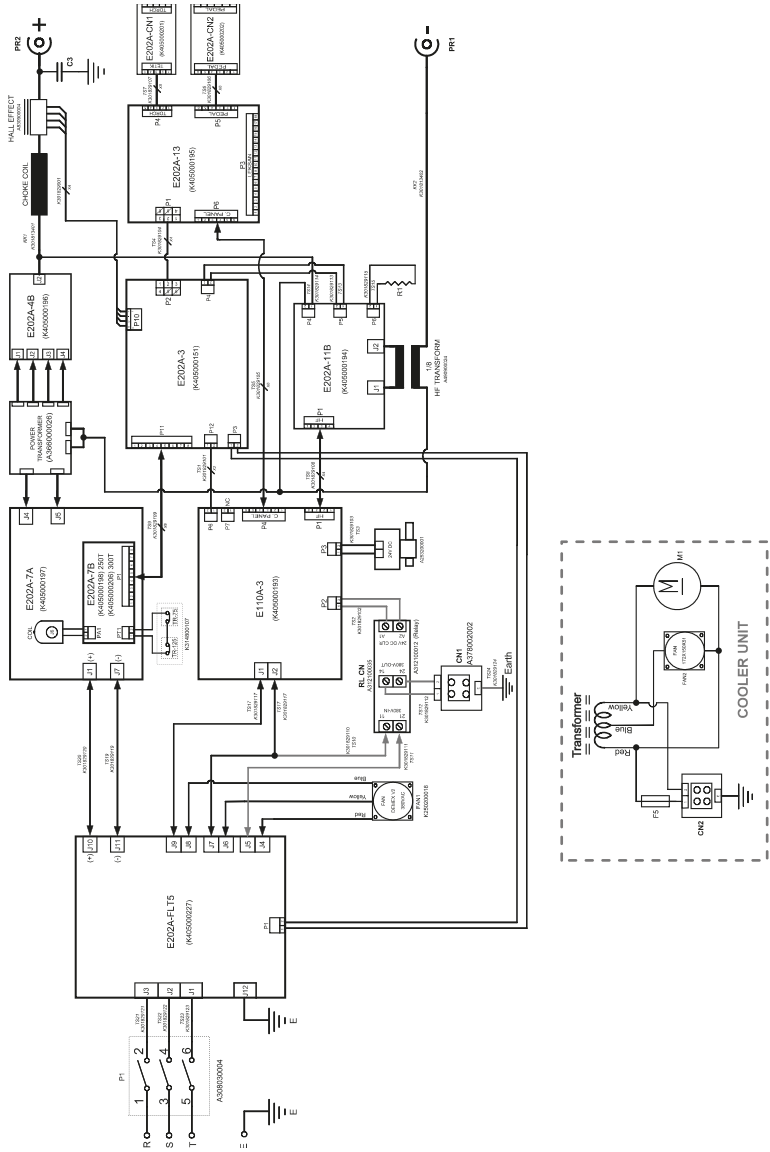
ID 300 T DC



TR

ID 300 TW DC

TR



MALIN

Modeli

Seri Numarası

İMALATÇI / İTHALATÇI FİRMANIN

Ünvanı

MAGMA MEKATRONİK MAKİNE SANAYİ VE TİCARET A.Ş.

Adresi

Organize Sanayi Bölgesi 5. Kısım MANİSA

Telefonu / E - Postası

+90 236 226 27 00 / info@magmaweld.com

SATICI FİRMANIN

Ünvanı

Adresi

Telefonu / E-Postası

Fatura Tarihi ve No.

ALICININ

Ünvanı

Adresi

Telefonu / E - Postası

Teslim Alanın Adı Soyadı

KURULUMU YAPAN SERVİSİN

Ünvanı

Teknisyenin Adı Soyadı

Devreye Alma Tarihi
(Garanti Başlama Tarihi)

Garanti Şartları için www.magmaweld.com.tr/garanti-sartlari/wt web sitemizi ziyaret ediniz.

EU-DECLARATION OF CONFORMITY / AB UYGUNLUK BEYANI

We hereby declare that the declaration of conformity is issued under our sole responsibility and belongs to the following product: / Bu belgede aşağıdaki ürünün kendi sorumluluğunda olduğunu onaylar:

Product brand / Ürün markası : MAGMAWELD

Product designation / Ürün adı : ID 300 T DC

The object of the declaration is in conformity with the relevant directives and standards: / Bu beyan ile ilişkili olarak, aşağıdaki yönetmelikleri veya normları yerine getirir:

Directives / Yönetmelikler

RoHS : 2011/65/EU

ErP Directive / ErP yönetmeliği : (EU) 2019/1784

LVD Directive / LVD yönetmeliği : 2014/35/EU

EMC Directive / yönetmeliği : 2014/30/EU

Standards / Standartlar

LVD standard /LVD standardı : EN IEC 60974-1:2022

EMC standard / EMC standardı : EN IEC 60974-10:2021

Signed on behalf of / Adına imzalandı : Magma Mekatronik Makine Sanayi ve Ticaret. A.Ş. Fabrika
MOSB, 5. Kısım 45030 Manisa, Türkiye

Date / Zaman : Jul-2024 / Temmuz-2024

Name&Signature / İsim&İmza : Barış Özgür Tuğgan
R&D Manager



EU-DECLARATION OF CONFORMITY / AB UYGUNLUK BEYANI

We hereby declare that the declaration of conformity is issued under our sole responsibility and belongs to the following product: / Bu belgede aşağıdaki ürünün kendi sorumluluğunda olduğunu onaylar:

Product brand / Ürün markası : MAGMAWELD

Product designation / Ürün adı : ID 300 TW DC

The object of the declaration is in conformity with the relevant directives and standards: / Bu beyan ile ilişkili olarak, aşağıdaki yönetmelikleri veya normları yerine getirir:

Directives / Yönetmelikler

RoHS : 2011/65/EU
ErP Directive / ErP yönetmeliği : (EU) 2019/1784
LVD Directive / LVD yönetmeliği : 2014/35/EU
EMC Directive / yönetmeliği : 2014/30/EU

Standards / Standartlar

LVD standard / LVD standardı : EN IEC 60974-1:2022
EMC standard / EMC standardı : EN IEC 60974-10:2021

Signed on behalf of / Adına imzalandı : Magma Mekatronik Makine Sanayi ve Ticaret. A.Ş. Fabrika
MOSB, 5. Kısım 45030 Manisa, Türkiye

Date / Zaman : Jul-2024 / Temmuz-2024

Name&Signature / İsim&İmza : Barış Özgür Tuğgan
R&D Manager





ЕВРАЗИЙСКИЙ ЭКОНОМИЧЕСКИЙ СОЮЗ ДЕКЛАРАЦИЯ О СООТВЕТСТВИИ

Заявитель Общество с ограниченной ответственностью "МАГМАВЭЛД СПб"

Место нахождения и адрес места осуществления деятельности: 191124, Россия, город Санкт-Петербург, улица Ставропольская, Дом 10, Литера А, Помещение 217

Основной государственный регистрационный номер 1187847141503.

Телефон: +78123317470 Адрес электронной почты: magmaweld@inbox.ru

в лице Генерального директора Гавшинского Андрея Львовича

заявляет, что Оборудование для сварки и газотермического напыления: аппараты для дуговой сварки модели:

MINISTICK, MINISTICK DELUXE, MEGASTICK, MEGASTICK DELUXE, ID 800E, MONOSTICK 165i, MONOSTICK 200i, PROSTICK 200i, ID 250 E, ID 300 E, ID 350 E, ID 400 E, RD 500 E, RD 650 E, GL 451, TD 355, GL 600, ID 250E BASIC, MONOTIG 160i BASIC, MONOTIG 160i, MONOTIG 200i, MONOTIG 160ip, MONOTIG 220ip, MONOTIG 220ip AC/DC, ID 250 T DC, ID 300 T DC, ID 250 T DC PULSE, ID 300 T DC PULSE, ID 250 TW DC, ID 300 TW DC, ID 250 TW DC PULSE, ID 300 TW DC PULSE, ID 300 T AC/DC PULSE, ID 300 TW AC/DC PULSE, ID 500TW DC PULSE, ID 500TW AC/DC PULSE, MONOMIG 200ik, ID 300 M, MEGAMIG, RS 65 PCA, ID 65 PCB, ID 300 M SMART, ID 300 M PULSE SMART, ID 300 M EXPERT, ID 300 M PULSE EXPERT, ID 300 MW SMART, ID 300 MW PULSE SMART, ID 300 MW EXPERT, ID 300 MW PULSE EXPERT, ID 400 M SMART, ID 400 M PULSE SMART, ID 400 M EXPERT, ID 400 M PULSE EXPERT, ID 400 MW SMART, ID 400 MW PULSE SMART, ID 400 MW EXPERT, ID 400 MW PULSE EXPERT, ID 500 M SMART, ID 500 M PULSE SMART, ID 500 M EXPERT, ID 500 M PULSE EXPERT, ID 500 MW SMART, ID 500 MW PULSE SMART, ID 500 MW EXPERT, ID 500 MW PULSE EXPERT, ID 300 MK SMART, ID 300 MK PULSE SMART, ID 300 MK EXPERT, ID 300 MK PULSE EXPERT, ID 300 MKW SMART, ID 300 MKW PULSE SMART, ID 300 MKW EXPERT, ID 300 MKW PULSE EXPERT, ID 400 MK SMART, ID 400 MK PULSE SMART, ID 400 MK EXPERT, ID 400 MK PULSE EXPERT, ID 400 MKW SMART, ID 400 MKW PULSE SMART, ID 400 MKW EXPERT, ID 400 MKW PULSE EXPERT, RS 200 MK, RS 250 M, RS 250 MK, RS 300 M, RS 300 MK, RS 350 M, RS 350 M PRO, RS 350MK PRO, RS 350MW PRO, RS 350 MW, RS 350 MK, RS 400 M, RS 400 MW, RS 400 MK, RS 450M PRO, RS 450 MW PRO, RS 500 M, RS 500 MW, RS 550 M PRO, RS 550 MW PRO, RD 650 MW.

Изготовитель "Magma Mekatronik Makine Sanayi ve Ticaret A.S."

Место нахождения и адрес места осуществления деятельности по изготовлению продукции: Турция, Organize Sanayi Bölgesi, 5.Kisim, 45030 Manisa

Филиал: "MAGMAWELD ULUSLARARASI TICARET A.S." Турция, Dereboyu Cad. Bilim Sok. Sun Plaza 5/7 Maslak, 34398 Istanbul **Продукция изготовлена в соответствии с Директивой 2014/35/EU**

"Низковольтное оборудование", Директивой 2014/30/EU "Электромагнитная совместимость", Директивой 2006/42/ЕС "Безопасность машин и оборудования".

Код (коды) ТН ВЭД ЕАЭС: 8515391800

Серийный выпуск.

соответствует требованиям

Технического регламента Таможенного союза ТР ТС 004/2011 "О безопасности низковольтного оборудования"

Технического регламента Таможенного союза ТР ТС 010/2011 "О безопасности машин и оборудования"

Технического регламента Таможенного союза ТР ТС 020/2011 "Электромагнитная совместимость технических средств"

Декларация о соответствии принята на основании

Протокола испытаний № 00501/ТС/072021 от 07.07.2021 года, выданного Испытательной лабораторией ООО «ТЕХНОСИИ» (регистрационный номер аттестата аккредитации RU.SSK4.04ЕЛКО)

Схема декларирования соответствия: Id

Дополнительная информация

Условия хранения: продукция хранится в сухих, проветриваемых складских помещениях при температуре от 0 °С до +30 °С, при относительной влажности воздуха не более 80 %. Срок хранения: изготовителем не установлен. **Срок службы: 5 лет.**

Декларация о соответствии действительна с даты регистрации по 11.07.2024 включительно


(подпись)

Гавшинский Андрей Львович

(Ф.И.О. заявителя)

Регистрационный номер декларации о соответствии: ЕАЭС N RU Д-TR.PA01B.00558/21

Дата регистрации декларации о соответствии: 14.07.2021



YETKİLİ SERVİSLER

MERKEZ SERVİS

Organize Sanayi Bölgesi, 5. Kısım 45030 MANİSA

Telefon : 444 93 53

E-Posta : info@magmaweld.com

YETKİLİ SERVİSLER



Güncel servis listemiz için www.magmaweld.com.tr/servis-listesi web sitemizi ziyaret ediniz.

Magma Mekatronik Makine Sanayi ve Ticaret A.Ş.
Organize Sanayi Bölgesi, 5. Kısım 45030 Manisa, TÜRKİYE

01.08.2024
UM_IDTTW300_042022_082024_003_132



(+90) 444 93 53
magmaweld.com
info@magmaweld.com